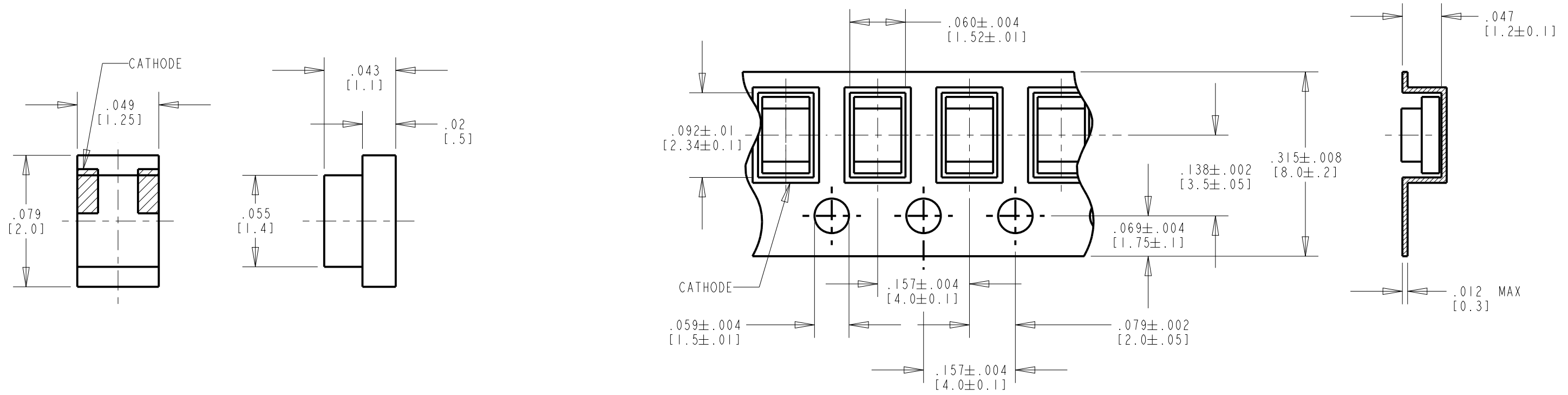


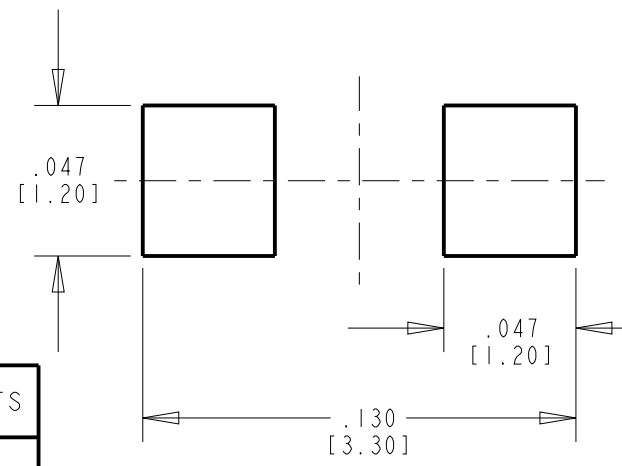
DIALIGHT CATALOG P/N	DIFFUSED LENS COLOR	PEAK EMISSION WAVELENGTH (nm)	VIEWING ANGLE (°) 2 ϕ 1/2	CAPACITANCE (pF); @V _f = 0; f = 1MHz		LUMINOUS INTENSITY (mcd) @ I _f = 10 mA; 25 °C		FORWARD VOLTAGE (V) @ I _f = 20 mA; 25 °C		REVERSE CURRENT (μ A); 25 °C
				TYP.	MIN.	TYP.	TYP.	MAX.	MAX.	
597-3006-607F	RED	635	130	24	2.0	6.0	2.0	2.6	100 @ V _R = 5 V	
597-3305-607F	GREEN	565	130	35	2.8	8.0	2.1	2.6	10 @ V _R = 5 V	
597-3405-607F	YELLOW	585	130	35	2.0	6.0	2.1	2.6	100 @ V _R = 5 V	

REV.	ECN NO.	REVISIONS	DRN.	CKD.	APP.	DATE
A	—	NEW RELEASE	TC	—	—	—
B	—	UPDATED CAPACITANCE, LUMINOUS INTENSITY AND REVERSE CURRENT OF P/N 597-3305-607F. UPDATED PAD LAYOUT.	BP	—	NO	2-14-17



PACKAGE DIMENSIONS OF TAPE AND REEL

- NOTES:
- EPOXY COLOR: WATER CLEAR.
 - DIE: GaP.
 - LEADS: SOLDER PLATED.
 - SOLDER ADHERANCE: BOTH LEADS PER MIL-STD-202E, METHOD 208C.
 - PART TAPED AND REELED PER EIA STANDARD 481-1, WITH CATHODE TOWARD SPROCKETS.
 - PART SUPPLIED 3000 DEVICES PER 7" DIAMETER REEL, ONE REEL PER SEALED ALUMINUM BAG WITH DESICCANT.
 - LABELING FOR REEL AND OUTSIDE OF ALUMINUM FOIL BAG: DIALIGHT P/N, QUANTITY PER REEL, DATE CODE, INTENSITY BIN CODE, LOT NUMBER AND COUNTRY OF ORIGIN.
 - DIALIGHT P/N: 597-3XXX-607.
 - TAPE AND REEL LEDS MAY REQUIRE RE-TAPING AFTER TWELVE MONTHS.



PAD DIMENSIONS

ABSOLUTE MAXIMUM RATINGS AT 25 °C AMBIENT	597-			UNITS
	3006-607	3305-607	3405-607	
POWER DISSIPATION	100	100	60	mW
CONTINUOUS FORWARD CURRENT	30	30	20	mA
PEAK FORWARD CURRENT (1/10 DUTY CYCLE, 0.1 ms PULSE WIDTH)	120	120	80	mA
DERATING LINEAR FROM 50 °C	0.6	0.6	0.4	mA/°C
REVERSE VOLTAGE	5			V
SOLDERING TEMPERATURE (.063/(1.60) FROM BODY)	260 °C FOR 5 SEC			°C
OPERATING TEMPERATURE	-55 TO +85			°C
STORAGE TEMPERATURE	-55 TO +85			°C

THIS DRAWING AND THE CONTENTS HEREIN ARE CONFIDENTIAL AND THE SOLE PROPERTY OF DIALIGHT CORP. REPRODUCTION OF THIS DRAWING OR CONSTRUCTION OF ANY PARTS WITHIN THIS DRAWING ARE FORBIDDEN WITHOUT THE WRITTEN CONSENT OF DIALIGHT CORP.

DIALIGHT CORP. INTERNAL REFERENCE ONLY = 3D MODEL : MODEL NAME-B.1

SCALE: AS SHOWN	DRAWING NUMBER	REV
ALL DIM'S: INCH (mm)	C-16771	B
TOLERANCES: UNLESS OTHERWISE SPECIFIED	TITLE	
FRACTIONS: ±1/64	SMT LED	
DECIMALS (.XX): ±.020	MATERIAL	
DECIMALS (.XXX): ±.015		
ANGLES: ±1°		
FINISH		
FSCM 83330		
	1501 ROUTE 34 SOUTH FARMINGDALE, NJ 07727 (732) 919-3119 www.dialight.com	
SHEET 1 OF 1	FAMILY TABLE:	