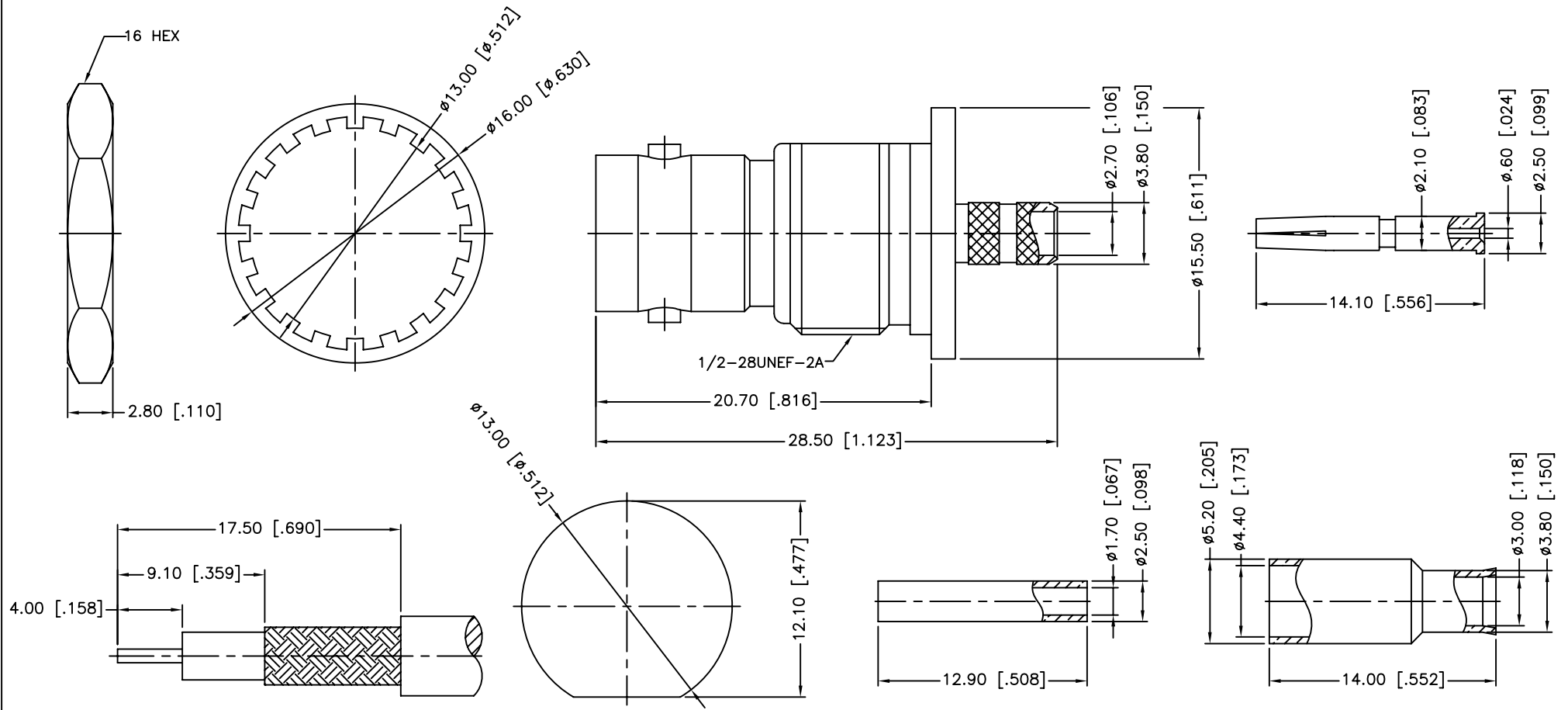


| REV. | DATE     | ECR NO. | DESCRIPTION           |
|------|----------|---------|-----------------------|
| A    | 02/10/10 | XXXXXX  | UPDATE DRAWING FORMAT |



RECOMMENDED  
CABLE STRIPPING DIM'S

RECOMMENDED  
MOUNTING HOLE

- NOTES:  
 1. CRIMPED FERRULE  
 HEX CRIMP SIZE .178"  
 2. CRIMPED CONTACT PIN,  
 HEX CRIMP SIZE .068"

|    |             |                 |         |     |
|----|-------------|-----------------|---------|-----|
| 10 | FERRULE     | COPPER          | NICKEL  | 1   |
| 9  | SLEEVE      | DELTRIN         | NATURAL | 1   |
| 8  | CONTACT PIN | PHOSPHOR BRONZE | GOLD    | 1   |
| 7  | HEX NUT     | BRASS           | NICKEL  | 1   |
| 6  | LOCK WASHER | BRASS           | NICKEL  | 1   |
| 5  | BARREL      | BRASS           | NICKEL  | 1   |
| 4  | INSULATOR   | DELTRIN         | NATURAL | 1   |
| 3  | INSULATOR   | PTFE            | NATURAL | 1   |
| 2  | BODY        | BRASS           | NICKEL  | 1   |
| 1  | HOUSING     | BRASS           | NICKEL  | 1   |
|    | DESCRIPTION | MATERIAL        | FINISH  | QTY |

UNLESS OTHERWISE SPECIFIED DIMENSIONS ARE IN MILLIMETERS. DIMENSIONS IN [ ] ARE IN INCHES AND FOR CUSTOMER REFERENCE ONLY.

UNLESS OTHERWISE SPECIFIED TOLERANCES FOR MILLIMETERS ARE:  
 0.5 - 8mm ± 0.20mm  
 8 - 30mm ± 0.40mm  
 30 - 120mm ± 0.50mm

UNLESS OTHERWISE SPECIFIED TOLERANCES FOR INCHES ARE:  
 .020 - .315 = ± 0.007"  
 .315 - 1.180 = ± 0.015"  
 1.180 - 4.724 = ± 0.020"

DO NOT SCALE DRAWING

| APPROVALS    | DATE                 |
|--------------|----------------------|
| DRAWN TANGOR | 02/10/10             |
| CHECKED      |                      |
| ISSUED       |                      |
| SHEET 1 OF 1 |                      |
| CAD FILE     | C:/CONNEX/112252.DWG |

**Amphenol Connex**

PART DESCRIPTION  
**BNC BULKHEAD ISOLATED CRIMP JACK  
 (FOR RG-174/U,188A/U,316/U)**

PART NO.  
**112252**

|          |            |      |   |      |   |       |    |
|----------|------------|------|---|------|---|-------|----|
| DWG. NO. | 112252.DWG | REV. | A | SIZE | A | SCALE | NA |
|----------|------------|------|---|------|---|-------|----|