

1810X ✓ ACTIVE

Kilovac | Kilovac 1800 Series

TE Internal #: 1-1618065-8

Kilovac 1800 Series, Protective Relays, Protective Relay Contact Arrangement 1 N.C & 1 N.O, 5A Protective Relay Contact Current Rating

[View on TE.com >](#)



Relays, Contactors & Switches > Relays > Protective Relays



Protective Relay Contact Arrangement: **1 N.C & 1 N.O**

Protective Relay Contact Current Rating: **5 A**

Protective Relay Input Voltage: **120 VAC**

Time Delay: **Without**

Protective Relay Mounting Type: **Flanged**

Features

Product Type Features

Relay Type	Protective Relay
Product Type	Relay
Protection Function	Paralleling
Time Delay	Without
Phase	Three

Electrical Characteristics

Actuating System	AC
Protective Relay Input Voltage	120 VAC

Signal Characteristics

Frequency Adjustment	50 – 500 Hz
----------------------	-------------

Contact Features

Contact Arrangement (Additional Output)	1 Form B, SPST-NC, 1 N/C
Protective Relay Contact Arrangement	1 N.C & 1 N.O
Protective Relay Contact Current Rating	5 A

Mechanical Attachment

Protective Relay Mounting Type	Flanged
--------------------------------	---------

Dimensions

Dimensions (L x W x H) (Approximate)	117.47 x 123.82 x 76.2 mm[4.625 x 4.875 x 3
--------------------------------------	---



in]

Usage Conditions

Operating Temperature Range -25 – 70 °C

Operation/Application

Mode of Operation Adjustable Pick-Up

Product Compliance

[For compliance documentation, visit the product page on TE.com>](#)

EU RoHS Directive 2011/65/EU	Not Compliant
EU ELV Directive 2000/53/EC	Not Compliant
China RoHS 2 Directive MIIT Order No 32, 2016	Restricted Materials Above Threshold
EU REACH Regulation (EC) No. 1907/2006	Current ECHA Candidate List: JAN 2021 (211) Candidate List Declared Against: JAN 2021 (211) Does not contain REACH SVHC
Halogen Content	Low Halogen - Br, Cl, F, I < 900 ppm per homogenous material. Also BFR/CFR/PVC Free
Solder Process Capability	Not applicable for solder process capability

Product Compliance Disclaimer

This information is provided based on reasonable inquiry of our suppliers and represents our current actual knowledge based on the information they provided. This information is subject to change. The part numbers that TE has identified as EU RoHS compliant have a maximum concentration of 0.1% by weight in homogenous materials for lead, hexavalent chromium, mercury, PBB, PBDE, DBP, BBP, DEHP, DIBP, and 0.01% for cadmium, or qualify for an exemption to these limits as defined in the Annexes of Directive 2011/65/EU (RoHS2). Finished electrical and electronic equipment products will be CE marked as required by Directive 2011/65/EU. Components may not be CE marked. Additionally, the part numbers that TE has identified as EU ELV compliant have a maximum concentration of 0.1% by weight in homogenous materials for lead, hexavalent chromium, and mercury, and 0.01% for cadmium, or qualify for an exemption to these limits as defined in the Annexes of Directive 2000/53/EC (ELV). Regarding the REACH Regulations, TE’s information on SVHC in articles for this part number is still based on the European Chemical Agency (ECHA) ‘Guidance on requirements for substances in articles’ (Version: 2, April 2011), applying the 0.1% weight on weight concentration threshold at the finished product level. TE is aware of the European Court of Justice ruling of September 10th, 2015 also known as O5A (Once An Article Always An Article) stating that, in case of ‘complex object’, the threshold for a SVHC must be applied to both the product as a whole and simultaneously to each of the articles forming part of its composition. TE has evaluated this ruling based on the new ECHA “Guidance on requirements for substances in articles” (June 2017, version 4.0) and will be updating its statements accordingly.

Compatible Parts



TE Part # 1-1618065-4
1810DBX=WILMAR PARALLELING REL



TE Part # 1-1618100-5
D100X=WILMAR DIFFERENTIAL RELA

TE Part # 1-1618065-9
1810X-A=WILMAR PARALLELING REL



TE Part # 1-1618085-3
430DCX=RELAY, UNDERVOLTAGE

Also in the Series | **Kilovac 1800 Series**




Protective Relays(19)

Customers Also Bought



TE Part # JS-16-00
Jiffy Splice



TE Part # 2-881545-2
AMP SHUNT LOW PROFI



TE Part # 1618093-1
730TDX=RELAY, REVERSE POWER




TE Part # 1-1924067-1
MCON, CONNECTOR HOUSING



TE Part # 1718758-1
MCON, RECEPTACLE AND TAB



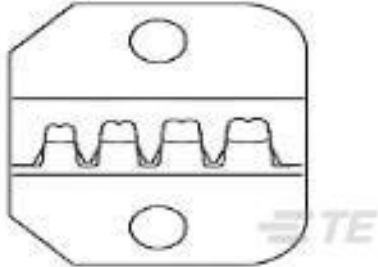
TE Part # 1326942-1
GET .64 CONNECTOR SYSTEM, CONNECTOR HSG



TE Part # 1612108-4
025/040 CAVITY PLUG



TE Part # 1-1618067-4
20-050-2X=WILMAR OVER/UNDER



TE Part # 1976357-1
SDE DIE SET, 24/22 RAYCHEM



TE Part # 2-1633703-9
ANVIL, COMBINATION



Documents

Product Drawings

[1810X=RELAY, PARALLELING](#)

English

Datasheets & Catalog Pages

[5-1773450-5_sec8_1800_1900](#)

English

[RELAY](#)

English