

# C3225X7S1H106K250AB

TDK item description : C3225X7S1H106KT\*\*\*\*

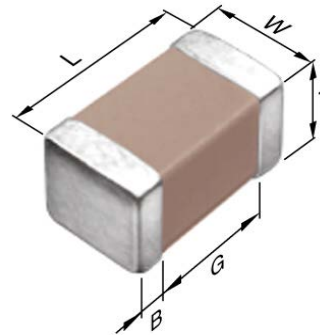


## Application & Main Feature

Commercial grade (General type)

## Series

C3225 [EIA 1210]



## Dimensions

L 3.20±0.40 mm  
 W 2.50±0.30 mm  
 T 2.50±0.30 mm  
 B 0.20 mm min.  
 G ---

## Temperature Characteristic

X7S (-55 to +125 degC, ±22%)

## Rated Voltage

1H (50Vdc)

## Capacitance

10µF

## Capacitance Tolerance

K (±10%)

## Dissipation Factor

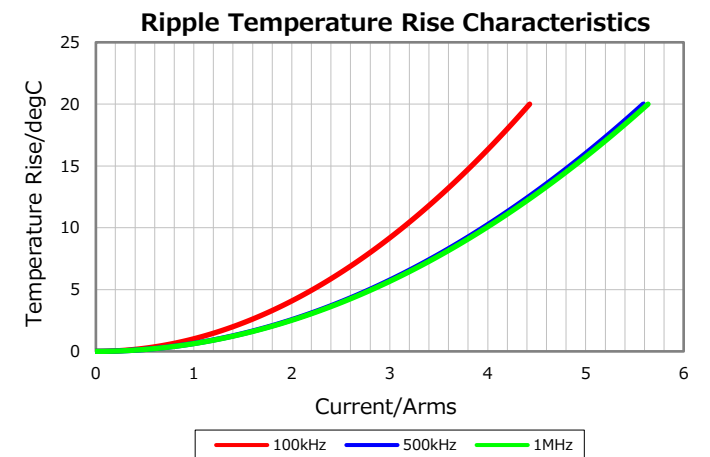
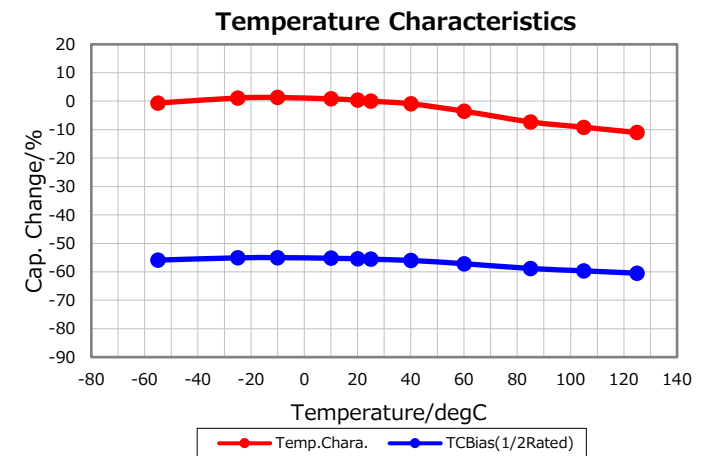
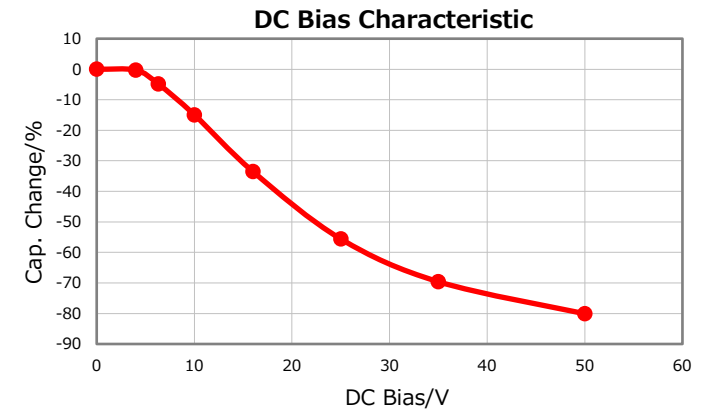
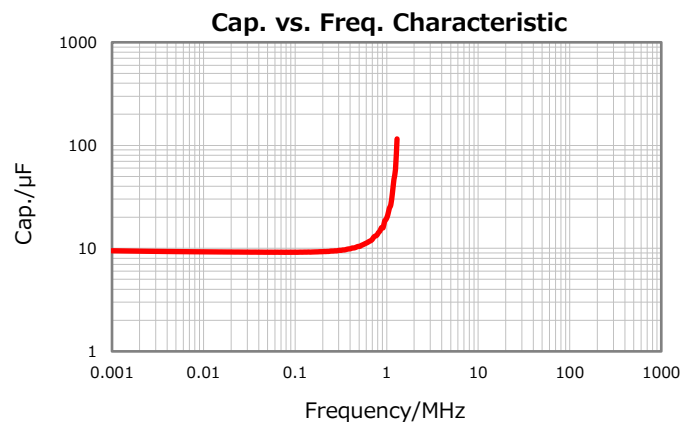
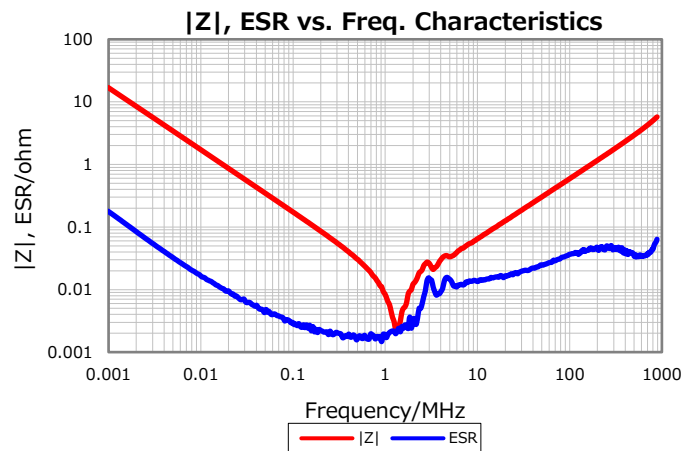
5 % max.

## Insulation Resistance

50 Mohm min.

## AEC-Q200

Not Applicable



Characterization Sheet (Multilayer Ceramic Chip Capacitors)



All specifications are subject to change without notice.

January 31, 2020