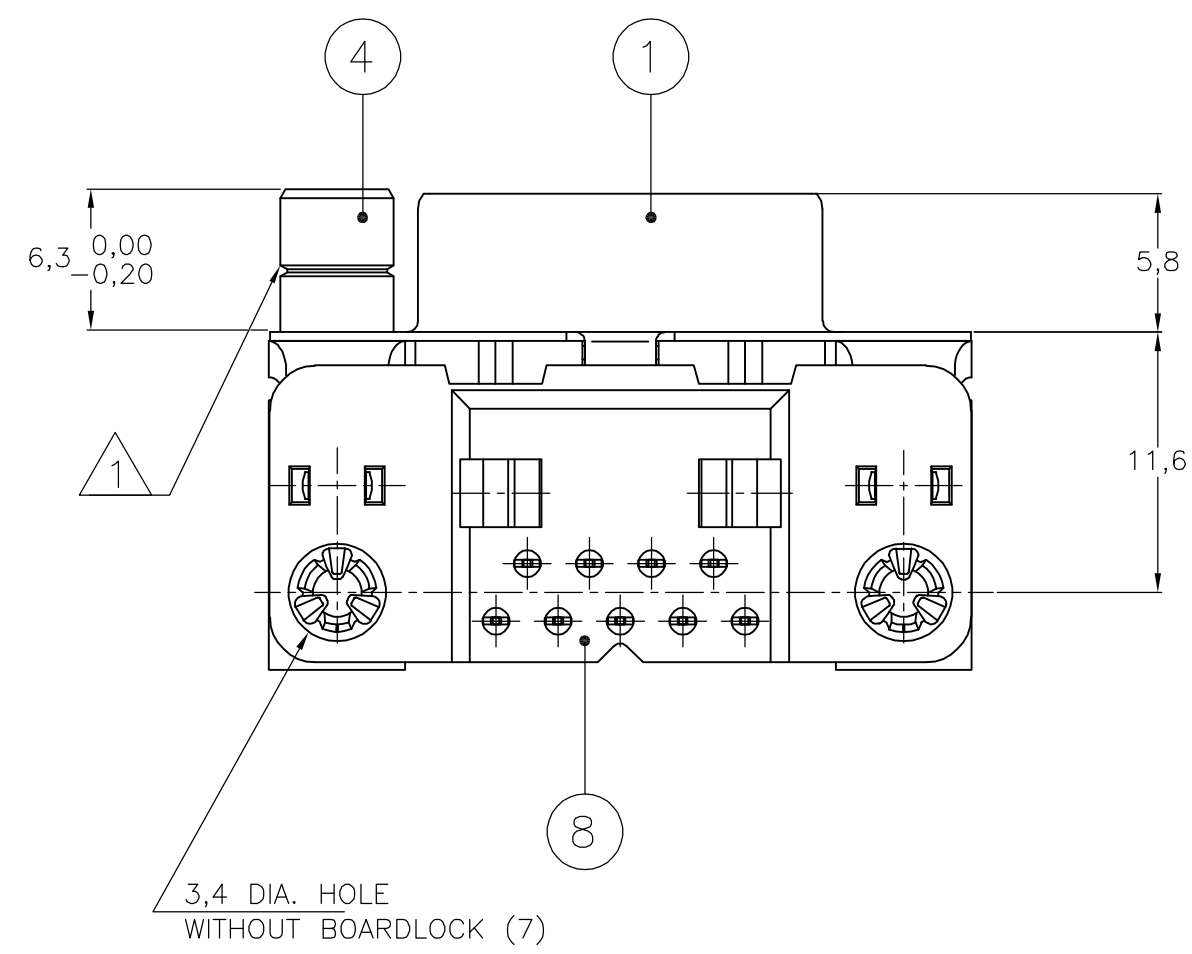
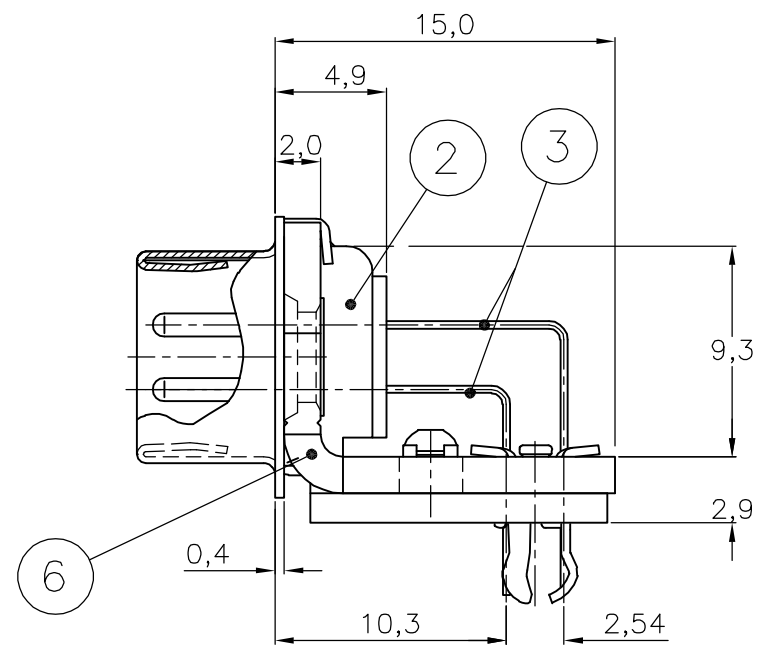
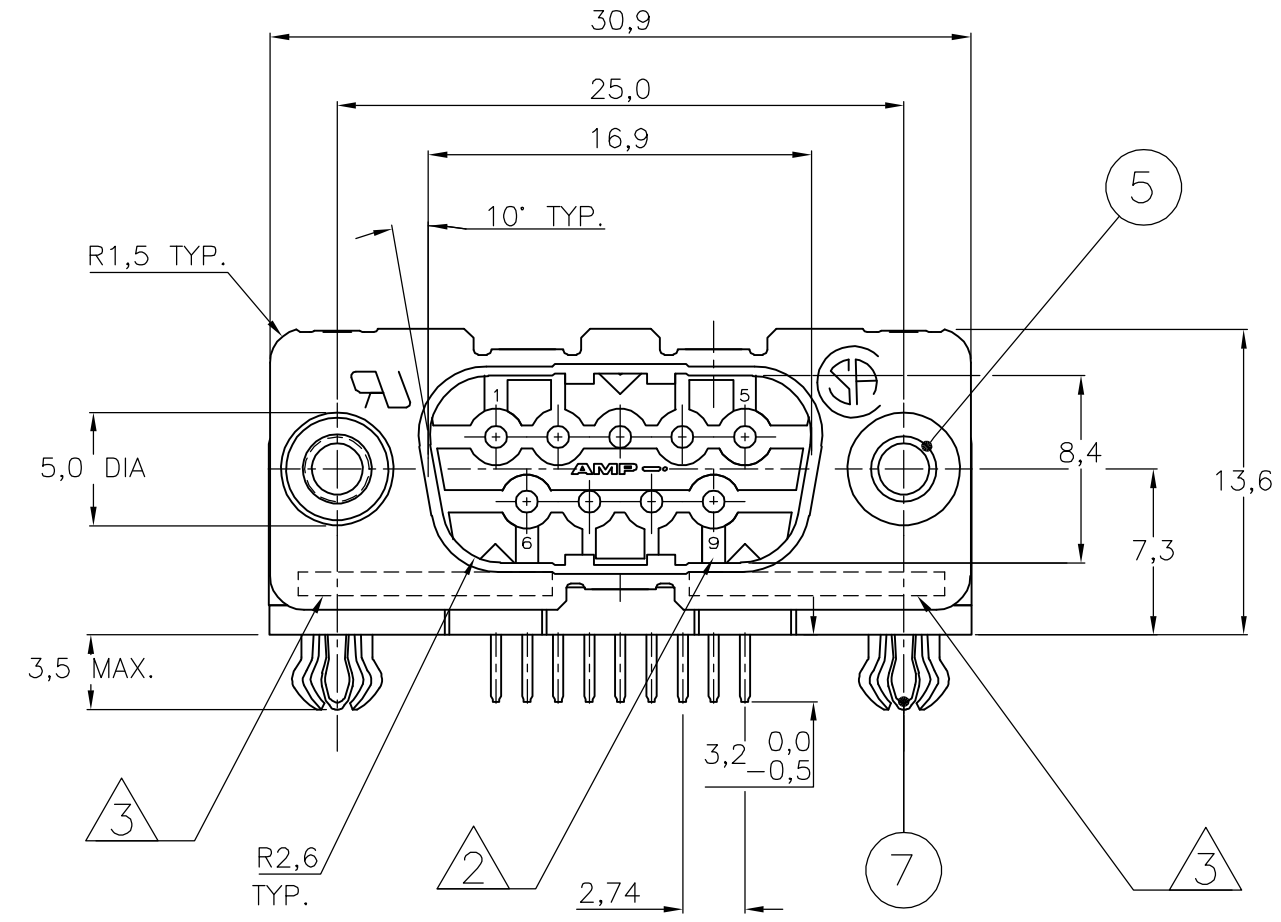


THIS DRAWING IS UNPUBLISHED. RELEASED FOR PUBLICATION  
 © COPYRIGHT BY TYCO ELECTRONICS CORPORATION. ALL RIGHTS RESERVED.

Loc	DIST	REVISIONS			
P	LTR	DESCRIPTION	DATE	DWN	APVD
F		EHC0-0061-04	07-04-04	JvdH	-
G		ECR-06-016736	04-11-06	BSV	MK



ACCESSORIES PREFIX "Z"	ITEM NR.	DESCRIPTION OF ACCESSORY	2	2	2	2	2	2	2	2	2	2	2	2
5	3,1 DIA. INSERT													
5	INSERT WITH INNER THREAD 4-40 UNC													
5	INSERT WITH INNER THREAD M3													
4	FEMALE SCREWLOCK WITH 4-40 UNC													
4	FEMALE SCREWLOCK WITH M3													
7	BOARDLOCK													

HOW TO ORDER

9 POS.-----> Z-338168-Y

PREFIX FOR ACCESSORIES }  
 BASIC PARTNR. }  
 SUFFIX FOR PLATING }

0-XXXXX-Y  
 1-XXXXX-Y  
 2-XXXXX-Y  
 3-XXXXX-Y  
 4-XXXXX-Y  
 5-XXXXX-Y  
 6-XXXXX-Y  
 7-XXXXX-Y  
 8-XXXXX-Y  
 9-XXXXX-Y

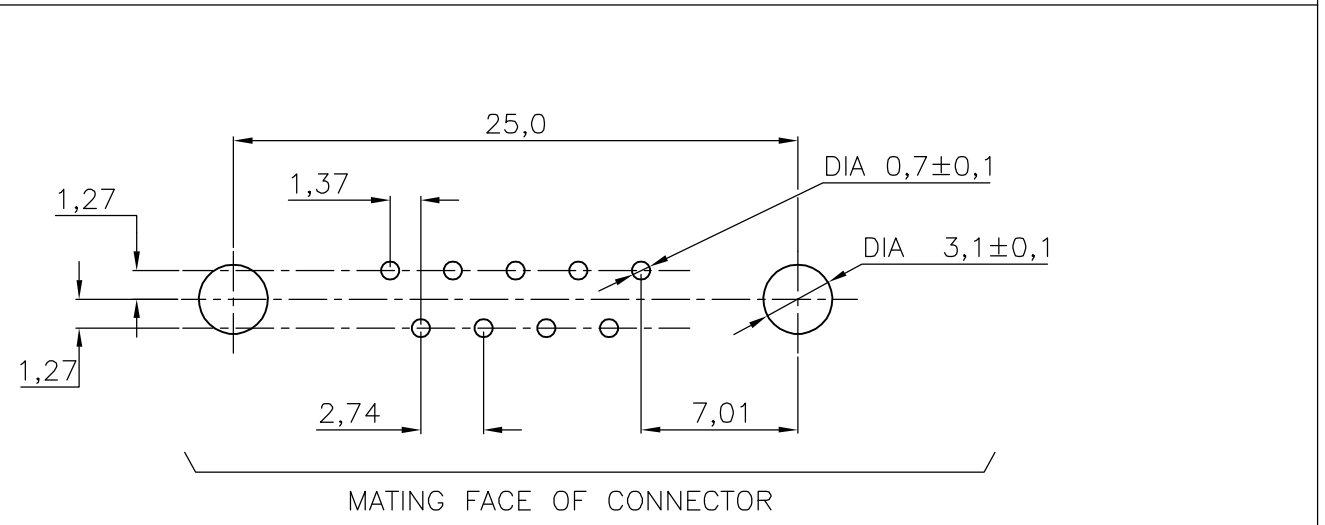
PLATING SUFFIX "Y"

GOLD OVER NICKEL AS PER PERFORMANCE LEVEL 2 (DIN 41652)  
 SOLDERPART :2,5µm TIN OVER NICKEL } -Y = -2

- 1 GROOVE INDICATES VERSION WITH 4-40 UNC INNER THREAD; WITHOUT GROOVE INDICATES VERSION WITH M3 INNER THREAD.
- 2 CAVITY IDENTIFICATION AT FRONT SIDE ONLY.
- 3 PARTNUMBER AND DATE CODE.
- 4 SHELL HAS 2x2 GROUNDING SPRINGS; PITCH IS 3,6 mm
- 5 AIR AND CREEPAGE DISTANCES ACCORDING TO DIN 41652

- ITEM NRS./MATERIAL :
- 1 SHELL : BRIGHT TINPLATED STEEL
  - 2 HOUSING : GLASSFILLED POLYESTER, COLOR : BLACK
  - 3 CONTACTS : PH.BRONZE (PLATING : SEE TABLE ABOVE)
  - 4 FEMALE SCREWLOCK : TINPLATED STEEL (INNER THREAD 4-40 UNC OR M3)
  - 5 INSERT : TINPLATED STEEL (INNER THREAD 4-40 UNC OR M3 OR 3,1 DIA THRU-HOLE)
  - 6 BRACKET : TINPLATED STEEL
  - 7 BOARDLOCK : TINPLATED PHOSPHORBRONZE
  - 8 POSTALIGNMENT PLATE : GLASSFILLED NYLON, COLOR : BLACK

RECOMMENDED P.C. BOARD HOLE-LAYOUT



THIS DRAWING IS A CONTROLLED DOCUMENT.		DWN D. KESSLER 18 JAN 99	<b>tyco</b> Tyco Electronics Corporation	
DIMENSIONS: MM		CHK W.SOOMERS	s-HertogenBosch, Netherlands,	
TOLERANCES UNLESS OTHERWISE SPECIFIED:		APVD -	NAME	
0 PLC ± -		PRODUCT SPEC -	HD-20 SIZE 1	
1 PLC ± -		APPLICATION SPEC -	RIGHT ANGLE PLUG HEADER; MARK II+	
2 PLC ± -		WEIGHT -	SIZE A2	CAGE CODE 00779
3 PLC ± -		CUSTOMER DRAWING	DRAWING NO C=338168	RESTRICTED TO -
4 PLC ± -		SCALE NTS	SHEET 1 OF 1	REV G
ANGLES ± -				
FINISH -				