

STANDARD EXECUTIONS

Base with articulation or threaded stem with Zinc-plated steel nut.

- **LMP. (d)**: threaded blind ball joint, without no-slip disk.
- **LMP-TR (d)**: threaded blind ball joint.

Thermoplastic elastomer no-slip coating (TPE).

- **LMP-TV (d)**: threaded blind ball joint.

Vulcanised rubber (NBR) with no-slip coating hardness 70 tolerance +/-5 Shore A.

- **LMP. (d - l)**: threaded stem, without no-slip disk.

- **LMP-TR (d - l)**: threaded stem.

Thermoplastic elastomer no-slip coating (TPE).

- **LMP-TV (d - l)**: threaded stem.

Vulcanised rubber (NBR) with no-slip coating hardness 70 tolerance +/-5 Shore A.

SET SCREW

AISI 304 stainless steel.

FEATURES

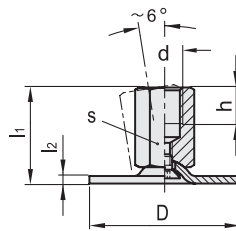
The resistance of the levelling feet to a static load is obviously limited by the permissible load capacity of the rod (steel strength class 500 N/mm²).

The static load values in the table below are the result of laboratory tests in which the load has been applied perpendicularly to the base.

Such values have to be considered as purely indicative and must be verified under the specific conditions of use.

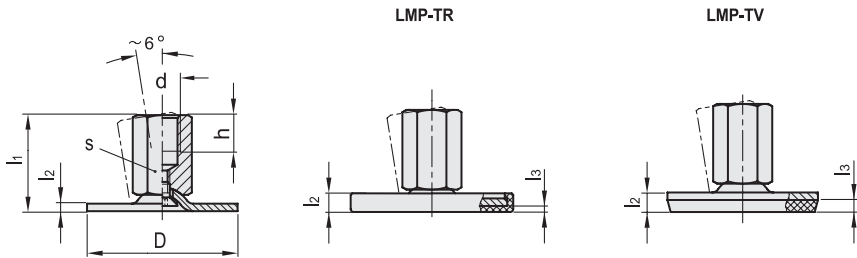
Under common working conditions, side or angular loading increases the stress on the stem and reduces its load capacity.

It's the user's responsibility to determine, case by case, whether the product is suitable for the intended use.



LMP. (d)

Code	Description	D	d	l1	l2	h	s	Max. limit static load [N]	△
403991	LMP.40-M8	40	M8	25	2	8	14	7000	40
403992	LMP.40-M10	40	M10	28	2	10	14	7000	40
403993	LMP.40-M12	40	M12	31	2	12	17	7000	68
404041	LMP.50-M8	50	M8	25	2.5	8	14	8000	60
404042	LMP.50-M10	50	M10	28	2.5	10	14	8000	70
404090	LMP.60-M8	60	M8	25	2.5	8	14	8000	80
404091	LMP.60-M10	60	M10	28	2.5	10	14	10000	85
404092	LMP.60-M12	60	M12	32	2.5	12	17	10000	100
404144	LMP.80-M10	80	M10	29	3	10	14	10000	120
404140	LMP.80-M12	80	M12	32	3	12	17	12000	140
404145	LMP.80-M16	80	M16	38	3	16	22	12000	160

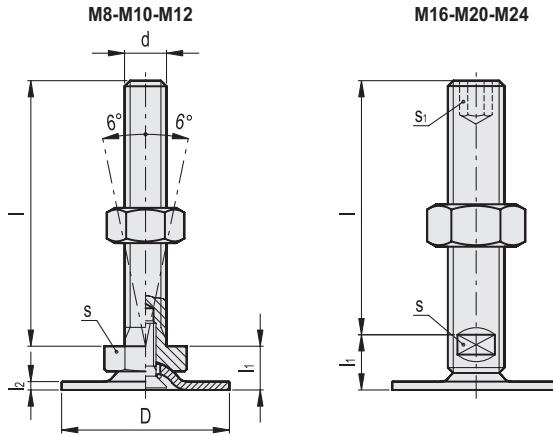
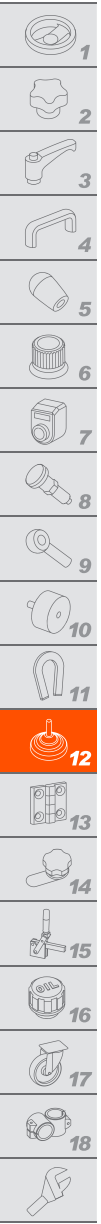


LMP-TR (d)

Code	Description	D	d	l1	l2	l3	h	s	Max. limit static load [N]	⚖️
404199	LMP.40-M8-TR	43	M8	25	5	1.5	8	14	7000	45
404200	LMP.40-M10-TR	43	M10	28	5	1.5	10	14	7000	45
404204	LMP.40-M12-TR	43	M12	31	5	1.5	12	17	7000	80
404241	LMP.50-M8-TR	54	M8	25	6	2	8	14	8000	60
404242	LMP.50-M10-TR	54	M10	28	6	2	10	14	8000	70
404290	LMP.60-M8-TR	64	M8	25	6	2	8	14	8000	80
404291	LMP.60-M10-TR	64	M10	28	6	2	10	14	10000	85
404292	LMP.60-M12-TR	64	M12	32	6	2	12	17	10000	100
404344	LMP.80-M10-TR	84	M10	29	7	2	10	14	10000	120
404340	LMP.80-M12-TR	84	M12	32	7	2	12	17	12000	140
404345	LMP.80-M16-TR	84	M16	38	7	2	16	22	12000	160

LMP-TV (d)

Code	Description	D	d	l1	l2	l3	h	s	Max. limit static load [N]	⚖️
404401	LMP.40-M8-TV	40	M8	25	5.5	3.5	8	14	7000	45
404402	LMP.40-M10-TV	40	M10	28	5.5	3.5	10	14	7000	45
404400	LMP.40-M12-TV	40	M12	31	5.5	3.5	12	17	7000	91
404421	LMP.50-M8-TV	50	M8	25	6.5	4	8	14	8000	60
404422	LMP.50-M10-TV	50	M10	28	6.5	4	10	14	8000	70
404441	LMP.60-M8-TV	60	M8	25	7	4.5	8	14	8000	80
404442	LMP.60-M10-TV	60	M10	28	7	4.5	10	14	10000	85
404443	LMP.60-M12-TV	60	M12	32	7	4.5	12	17	10000	100
404461	LMP.80-M10-TV	80	M10	29	8	5	10	14	10000	120
404462	LMP.80-M12-TV	80	M12	32	8	5	12	17	12000	140
404463	LMP.80-M16-TV	80	M16	38	8	5	16	22	12000	160



LMP. (d - l)

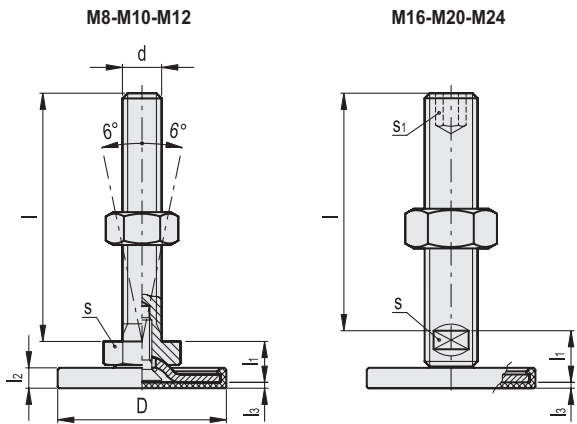
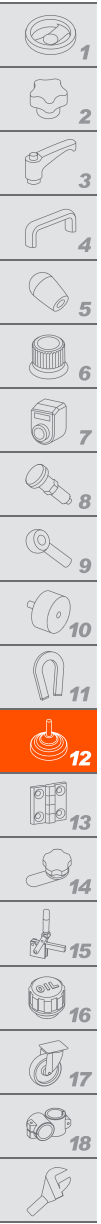
Code	Description	D	d	l	l1	l2	s	s1	Max. limit static load [N]	⚖️
404001	LMP.40-M8x40	40	M8	40	11	2	17	-	7000	40
404002	LMP.40-M8x50	40	M8	50	11	2	17	-	7000	50
404003	LMP.40-M8x63	40	M8	63	11	2	17	-	7000	55
404011	LMP.40-M10x50	40	M10	50	11	2	17	-	7000	60
404013	LMP.40-M10x60	40	M10	60	11	2	17	-	7000	70
404015	LMP.40-M10x80	40	M10	80	11	2	17	-	7000	80
404017	LMP.40-M10x100	40	M10	100	11	2	17	-	7000	100
404021	LMP.40-M12x60	40	M12	60	11	2	17	-	7000	90
404023	LMP.40-M12x80	40	M12	80	11	2	17	-	7000	110
404025	LMP.40-M12x100	40	M12	100	11	2	17	-	7000	130
404027	LMP.40-M12x125	40	M12	125	11	2	17	-	7000	150
404031	LMP.40-M16x75	40	M16	75	17	2	12	8	7000	160
404033	LMP.40-M16x100	40	M16	100	17	2	12	8	7000	175
404035	LMP.40-M16x125	40	M16	125	17	2	12	8	7000	190
404037	LMP.40-M16x150	40	M16	150	17	2	12	8	7000	215
404039	LMP.40-M16x200	40	M16	200	17	2	12	8	7000	300
404051	LMP.50-M8x40	50	M8	40	11	2.5	17	-	8000	70
404052	LMP.50-M8x50	50	M8	50	11	2.5	17	-	8000	120
404053	LMP.50-M8x63	50	M8	63	11	2.5	17	-	8000	75
404061	LMP.50-M10x50	50	M10	50	11	2.5	17	-	8000	78
404063	LMP.50-M10x60	50	M10	60	11	2.5	17	-	8000	88
404065	LMP.50-M10x80	50	M10	80	11	2.5	17	-	8000	100
404067	LMP.50-M10x100	50	M10	100	11	2.5	17	-	8000	108
404071	LMP.50-M12x60	50	M12	60	11	2.5	17	-	8000	104
404073	LMP.50-M12x80	50	M12	80	11	2.5	17	-	8000	114
404075	LMP.50-M12x100	50	M12	100	11	2.5	17	-	8000	130
404077	LMP.50-M12x125	50	M12	125	11	2.5	17	-	8000	155
404081	LMP.50-M16x75	50	M16	75	17	2.5	12	8	8000	175
404083	LMP.50-M16x100	50	M16	100	17	2.5	12	8	8000	208
404085	LMP.50-M16x125	50	M16	125	17	2.5	12	8	8000	243
404087	LMP.50-M16x150	50	M16	150	17	2.5	12	8	8000	277
404089	LMP.50-M16x200	50	M16	200	17	2.5	12	8	8000	320

Levelling feet and supports

LMP. (d - l)

Code	Description	D	d	l	l1	l2	s	s1	Max. limit static load [N]	⚖
404101	LMP.60-M8x40	60	M8	40	11	2.5	17	-	8000	89
404102	LMP.60-M8x50	60	M8	50	11	2.5	17	-	8000	94
404103	LMP.60-M8x63	60	M8	63	11	2.5	17	-	8000	100
404111	LMP.60-M10x50	60	M10	50	11	2.5	17	-	10000	100
404113	LMP.60-M10x60	60	M10	60	11	2.5	17	-	10000	105
404115	LMP.60-M10x80	60	M10	80	11	2.5	17	-	10000	114
404117	LMP.60-M10x100	60	M10	100	11	2.5	17	-	10000	130
404121	LMP.60-M12x60	60	M12	60	11	2.5	17	-	10000	121
404123	LMP.60-M12x80	60	M12	80	11	2.5	17	-	10000	136
404125	LMP.60-M12x100	60	M12	100	11	2.5	17	-	10000	151
404127	LMP.60-M12x125	60	M12	125	11	2.5	17	-	10000	167
404131	LMP.60-M16x75	60	M16	75	17	2.5	12	8	10000	193
404133	LMP.60-M16x100	60	M16	100	17	2.5	12	8	10000	218
404135	LMP.60-M16x125	60	M16	125	17	2.5	12	8	10000	258
404137	LMP.60-M16x150	60	M16	150	17	2.5	12	8	10000	289
404139	LMP.60-M16x200	60	M16	200	17	2.5	12	8	10000	360
404141	LMP.80-M8x40	80	M8	40	12	3	17	-	8000	149
404142	LMP.80-M8x50	80	M8	50	12	3	17	-	8000	154
404143	LMP.80-M8x63	80	M8	63	12	3	17	-	8000	160
404151	LMP.80-M10x50	80	M10	50	12	3	17	-	10000	162
404153	LMP.80-M10x60	80	M10	60	12	3	17	-	10000	175
404155	LMP.80-M10x80	80	M10	80	12	3	17	-	10000	180
404157	LMP.80-M10x100	80	M10	100	12	3	17	-	10000	200
404161	LMP.80-M12x60	80	M12	60	12	3	17	-	12000	183
404163	LMP.80-M12x80	80	M12	80	12	3	17	-	12000	208
404165	LMP.80-M12x100	80	M12	100	12	3	17	-	12000	218
404167	LMP.80-M12x125	80	M12	125	12	3	17	-	12000	233
404171	LMP.80-M16x75	80	M16	75	18	3	12	8	12000	252
404173	LMP.80-M16x100	80	M16	100	18	3	12	8	12000	277
404175	LMP.80-M16x125	80	M16	125	18	3	12	8	12000	290
404177	LMP.80-M16x150	80	M16	150	18	3	12	8	12000	360
404179	LMP.80-M16x200	80	M16	200	18	3	12	8	12000	420
404181	LMP.80-M20x75	80	M20	75	19	3	15	10	16000	356
404183	LMP.80-M20x100	80	M20	100	19	3	15	10	16000	385
404185	LMP.80-M20x125	80	M20	125	19	3	15	10	16000	400
404187	LMP.80-M20x150	80	M20	150	19	3	15	10	16000	458
404189	LMP.80-M20x200	80	M20	200	19	3	15	10	16000	500
404193	LMP.80-M24x100	80	M24	100	22	3	19	12	16000	500
404195	LMP.80-M24x125	80	M24	125	22	3	19	12	16000	620
404197	LMP.80-M24x150	80	M24	150	22	3	19	12	16000	673
404198	LMP.80-M24x200	80	M24	200	22	3	19	12	16000	760





LMP-TR (d - l)

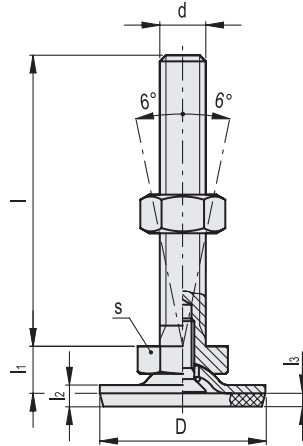
Code	Description	D	d	l	l1	l2	l3	s	s1	Max. limit static load [N]	⚖️
404201	LMP.40-M8x40-TR	43	M8	40	11	5	1.5	17	-	7000	40
404202	LMP.40-M8x50-TR	43	M8	50	11	5	1.5	17	-	7000	45
404203	LMP.40-M8x63-TR	43	M8	63	11	5	1.5	17	-	7000	55
404211	LMP.40-M10x50-TR	43	M10	50	11	5	1.5	17	-	7000	60
404213	LMP.40-M10x60-TR	43	M10	60	11	5	1.5	17	-	7000	70
404215	LMP.40-M10x80-TR	43	M10	80	11	5	1.5	17	-	7000	80
404217	LMP.40-M10x100-TR	43	M10	100	11	5	1.5	17	-	7000	100
404221	LMP.40-M12x60-TR	43	M12	60	11	5	1.5	17	-	7000	90
404223	LMP.40-M12x80-TR	43	M12	80	11	5	1.5	17	-	7000	100
404225	LMP.40-M12x100-TR	43	M12	100	11	5	1.5	17	-	7000	118
404227	LMP.40-M12x125-TR	43	M12	125	11	5	1.5	17	-	7000	140
404231	LMP.40-M16x75-TR	43	M16	75	17	5	1.5	12	8	7000	153
404233	LMP.40-M16x100-TR	43	M16	100	17	5	1.5	12	8	7000	178
404235	LMP.40-M16x125-TR	43	M16	125	17	5	1.5	12	8	7000	203
404237	LMP.40-M16x150-TR	43	M16	150	17	5	1.5	12	8	7000	253
404239	LMP.40-M16x200-TR	43	M16	200	17	5	1.5	12	8	7000	320
404251	LMP.50-M8x40-TR	54	M8	40	11	6	2	17	-	8000	70
404252	LMP.50-M8x50-TR	54	M8	50	11	6	2	17	-	8000	78
404253	LMP.50-M8x63-TR	54	M8	63	11	6	2	17	-	8000	76
404261	LMP.50-M10x50-TR	54	M10	50	11	6	2	17	-	8000	100
404263	LMP.50-M10x60-TR	54	M10	60	11	6	2	17	-	8000	110
404265	LMP.50-M10x80-TR	54	M10	80	11	6	2	17	-	8000	120
404267	LMP.50-M10x100-TR	54	M10	100	11	6	2	17	-	8000	140
404271	LMP.50-M12x60-TR	54	M12	60	11	6	2	17	-	8000	120
404273	LMP.50-M12x80-TR	54	M12	80	11	6	2	17	-	8000	130
404275	LMP.50-M12x100-TR	54	M12	100	11	6	2	17	-	8000	140
404277	LMP.50-M12x125-TR	54	M12	125	11	6	2	17	-	8000	160
404281	LMP.50-M16x75-TR	54	M16	75	17	6	2	12	8	8000	178
404283	LMP.50-M16x100-TR	54	M16	100	17	6	2	12	8	8000	220
404285	LMP.50-M16x125-TR	54	M16	125	17	6	2	12	8	8000	250
404287	LMP.50-M16x150-TR	54	M16	150	17	6	2	12	8	8000	280
404289	LMP.50-M16x200-TR	54	M16	200	17	6	2	12	8	8000	338
404301	LMP.60-M8x40-TR	64	M8	40	11	6	2	17	-	8000	80
404302	LMP.60-M8x50-TR	64	M8	50	11	6	2	17	-	8000	89
404303	LMP.60-M8x63-TR	64	M8	63	11	6	2	17	-	8000	100
404311	LMP.60-M10x50-TR	64	M10	50	11	6	2	17	-	10000	118
404313	LMP.60-M10x60-TR	64	M10	60	11	6	2	17	-	10000	130
404315	LMP.60-M10x80-TR	64	M10	80	11	6	2	17	-	10000	150
404317	LMP.60-M10x100-TR	64	M10	100	11	6	2	17	-	10000	180
404321	LMP.60-M12x60-TR	64	M12	60	11	6	2	17	-	10000	120
404323	LMP.60-M12x80-TR	64	M12	80	11	6	2	17	-	10000	150
404325	LMP.60-M12x100-TR	64	M12	100	11	6	2	17	-	10000	180
404327	LMP.60-M12x125-TR	64	M12	125	11	6	2	17	-	10000	200
404331	LMP.60-M16x75-TR	64	M16	75	17	6	2	12	8	10000	210
404333	LMP.60-M16x100-TR	64	M16	100	17	6	2	12	8	10000	230
404335	LMP.60-M16x125-TR	64	M16	125	17	6	2	12	8	10000	250
404337	LMP.60-M16x150-TR	64	M16	150	17	6	2	12	8	10000	270
404339	LMP.60-M16x200-TR	64	M16	200	17	6	2	12	8	10000	355

Levelling feet and supports

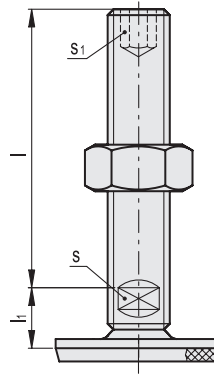
LMP-TR (d - l)

Code	Description	D	d	l	l ₁	l ₂	l ₃	s	s ₁	Max. limit static load [N]	⚖️
404341	LMP.80-M8x40-TR	84	M8	40	12	7	2	17	-	8000	160
404342	LMP.80-M8x50-TR	84	M8	50	12	7	2	17	-	8000	160
404343	LMP.80-M8x63-TR	84	M8	63	12	7	2	17	-	8000	160
404351	LMP.80-M10x50-TR	84	M10	50	12	7	2	17	-	10000	160
404353	LMP.80-M10x60-TR	84	M10	60	12	7	2	17	-	10000	180
404355	LMP.80-M10x80-TR	84	M10	80	12	7	2	17	-	10000	200
404357	LMP.80-M10x100-TR	84	M10	100	12	7	2	17	-	10000	220
404361	LMP.80-M12x60-TR	84	M12	60	12	7	2	17	-	12000	200
404363	LMP.80-M12x80-TR	84	M12	80	12	7	2	17	-	12000	210
404365	LMP.80-M12x100-TR	84	M12	100	12	7	2	17	-	12000	230
404367	LMP.80-M12x125-TR	84	M12	125	12	7	2	17	-	12000	240
404371	LMP.80-M16x75-TR	84	M16	75	18	7	2	12	8	12000	280
404373	LMP.80-M16x100-TR	84	M16	100	18	7	2	12	8	12000	300
404375	LMP.80-M16x125-TR	84	M16	125	18	7	2	12	8	12000	360
404377	LMP.80-M16x150-TR	84	M16	150	18	7	2	12	8	12000	380
404379	LMP.80-M16x200-TR	84	M16	200	18	7	2	12	8	12000	400
404381	LMP.80-M20x75-TR	84	M20	75	19	7	2	15	10	16000	360
404383	LMP.80-M20x100-TR	84	M20	100	19	7	2	15	10	16000	390
404385	LMP.80-M20x125-TR	84	M20	125	19	7	2	15	10	16000	410
404387	LMP.80-M20x150-TR	84	M20	150	19	7	2	15	10	16000	440
404389	LMP.80-M20x200-TR	84	M20	200	19	7	2	15	10	16000	595
404393	LMP.80-M24x100-TR	84	M24	100	22	7	2	19	12	16000	560
404395	LMP.80-M24x125-TR	84	M24	125	22	7	2	19	12	16000	680
404397	LMP.80-M24x150-TR	84	M24	150	22	7	2	19	12	16000	700
404398	LMP.80-M24x200-TR	84	M24	200	22	7	2	19	12	16000	760

M8-M10-M12

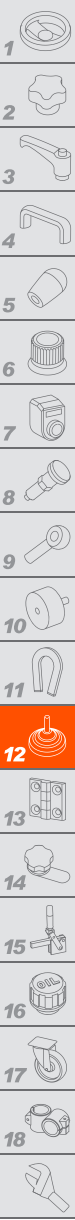


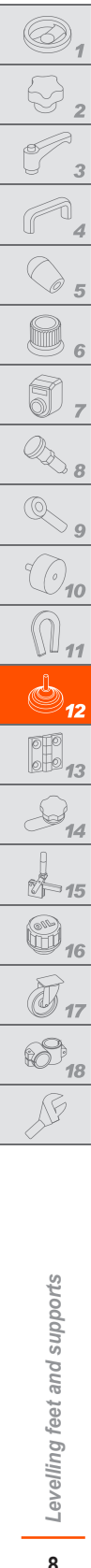
M16-M20-M24



LMP-TV (d - l)

Code	Description	D	d	l	l ₁	l ₂	l ₃	s	s ₁	Max. limit static load [N]	⚖️
404403	LMP.40-M8x40-TV	40	M8	40	11	5.5	3.5	17	-	7000	40
404405	LMP.40-M8x50-TV	40	M8	50	11	5.5	3.5	17	-	7000	45
404404	LMP.40-M8x63-TV	40	M8	63	11	5.5	3.5	17	-	7000	55
404406	LMP.40-M10x50-TV	40	M10	50	11	5.5	3.5	17	-	7000	60
404407	LMP.40-M10x60-TV	40	M10	60	11	5.5	3.5	17	-	7000	70
404408	LMP.40-M10x80-TV	40	M10	80	11	5.5	3.5	17	-	7000	80
404409	LMP.40-M10x100-TV	40	M10	100	11	5.5	3.5	17	-	7000	100
404410	LMP.40-M12x60-TV	40	M12	60	11	5.5	3.5	17	-	7000	90
404411	LMP.40-M12x80-TV	40	M12	80	11	5.5	3.5	17	-	7000	100
404412	LMP.40-M12x100-TV	40	M12	100	11	5.5	3.5	17	-	7000	118
404413	LMP.40-M12x125-TV	40	M12	125	11	5.5	3.5	17	-	7000	140
404414	LMP.40-M16x75-TV	40	M16	75	17	5.5	3.5	12	8	7000	153
404415	LMP.40-M16x100-TV	40	M16	100	17	5.5	3.5	12	8	7000	178
404416	LMP.40-M16x125-TV	40	M16	125	17	5.5	3.5	12	8	7000	203
404417	LMP.40-M16x150-TV	40	M16	150	17	5.5	3.5	12	8	7000	253
404418	LMP.40-M16x200-TV	40	M16	200	17	5.5	3.5	12	8	7000	320





LMP-TV (d - l)

Code	Description	D	d	l	l1	l2	l3	s	s1	Max. limit static load [N]	△
404423	LMP.50-M8x40-TV	50	M8	40	11	6.5	4	17	-	8000	70
404424	LMP.50-M8x50-TV	50	M8	50	11	6.5	4	17	-	8000	76
404425	LMP.50-M8x63-TV	50	M8	63	11	6.5	4	17	-	8000	78
404426	LMP.50-M10x50-TV	50	M10	50	11	6.5	4	17	-	8000	100
404427	LMP.50-M10x60-TV	50	M10	60	11	6.5	4	17	-	8000	110
404428	LMP.50-M10x80-TV	50	M10	80	11	6.5	4	17	-	8000	120
404429	LMP.50-M10x100-TV	50	M10	100	11	6.5	4	17	-	8000	140
404430	LMP.50-M12x60-TV	50	M12	60	11	6.5	4	17	-	8000	120
404431	LMP.50-M12x80-TV	50	M12	80	11	6.5	4	17	-	8000	130
404432	LMP.50-M12x100-TV	50	M12	100	11	6.5	4	17	-	8000	140
404433	LMP.50-M12x125-TV	50	M12	125	11	6.5	4	17	-	8000	160
404434	LMP.50-M16x75-TV	50	M16	75	17	6.5	4	12	8	8000	178
404435	LMP.50-M16x100-TV	50	M16	100	17	6.5	4	12	8	8000	220
404436	LMP.50-M16x125-TV	50	M16	125	17	6.5	4	12	8	8000	250
404437	LMP.50-M16x150-TV	50	M16	150	17	6.5	4	12	8	8000	280
404438	LMP.50-M16x200-TV	50	M16	200	17	6.5	4	12	8	8000	338
404444	LMP.60-M8x40-TV	60	M8	40	11	7	4.5	17	-	8000	80
404445	LMP.60-M8x50-TV	60	M8	50	11	7	4.5	17	-	8000	89
404446	LMP.60-M8x63-TV	60	M8	63	11	7	4.5	17	-	8000	100
404447	LMP.60-M10x50-TV	60	M10	50	11	7	4.5	17	-	10000	118
404448	LMP.60-M10x60-TV	60	M10	60	11	7	4.5	17	-	10000	130
404449	LMP.60-M10x80-TV	60	M10	80	11	7	4.5	17	-	10000	150
404450	LMP.60-M10x100-TV	60	M10	100	11	7	4.5	17	-	10000	180
404451	LMP.60-M12x60-TV	60	M12	60	11	7	4.5	17	-	10000	120
404452	LMP.60-M12x80-TV	60	M12	80	11	7	4.5	17	-	10000	150
404453	LMP.60-M12x100-TV	60	M12	100	11	7	4.5	17	-	10000	180
404454	LMP.60-M12x125-TV	60	M12	125	11	7	4.5	17	-	10000	200
404455	LMP.60-M16x75-TV	60	M16	75	17	7	4.5	12	8	10000	210
404456	LMP.60-M16x100-TV	60	M16	100	17	7	4.5	12	8	10000	230
404457	LMP.60-M16x125-TV	60	M16	125	17	7	4.5	12	8	10000	250
404458	LMP.60-M16x150-TV	60	M16	150	17	7	4.5	12	8	10000	270
404459	LMP.60-M16x200-TV	60	M16	200	17	7	4.5	12	8	10000	355
404464	LMP.80-M8x40-TV	80	M8	40	12	8	5	17	-	8000	160
404465	LMP.80-M8x50-TV	80	M8	50	12	8	5	17	-	8000	168
404466	LMP.80-M8x63-TV	80	M8	63	12	8	5	17	-	8000	172
404467	LMP.80-M10x50-TV	80	M10	50	12	8	5	17	-	10000	168
404468	LMP.80-M10x60-TV	80	M10	60	12	8	5	17	-	10000	180
404469	LMP.80-M10x80-TV	80	M10	80	12	8	5	17	-	10000	200
404470	LMP.80-M10x100-TV	80	M10	100	12	8	5	17	-	10000	220
404471	LMP.80-M12x60-TV	80	M12	60	12	8	5	17	-	12000	200
404472	LMP.80-M12x80-TV	80	M12	80	12	8	5	17	-	12000	210
404473	LMP.80-M12x100-TV	80	M12	100	12	8	5	17	-	12000	230
404474	LMP.80-M12x125-TV	80	M12	125	12	8	5	17	-	12000	240
404475	LMP.80-M16x75-TV	80	M16	75	18	8	5	12	8	12000	280
404476	LMP.80-M16x100-TV	80	M16	100	18	8	5	12	8	12000	300
404477	LMP.80-M16x125-TV	80	M16	125	18	8	5	12	8	12000	360
404478	LMP.80-M16x150-TV	80	M16	150	18	8	5	12	8	12000	380
404479	LMP.80-M16x200-TV	80	M16	200	18	8	5	12	8	12000	400
404480	LMP.80-M20x75-TV	80	M20	75	19	8	5	15	10	16000	360
404481	LMP.80-M20x100-TV	80	M20	100	19	8	5	15	10	16000	390
404482	LMP.80-M20x125-TV	80	M20	125	19	8	5	15	10	16000	410
404483	LMP.80-M20x150-TV	80	M20	150	19	8	5	15	10	16000	440
404484	LMP.80-M20x200-TV	80	M20	200	19	8	5	15	10	16000	595
404485	LMP.80-M24x100-TV	80	M24	100	22	8	5	19	12	16000	560
404486	LMP.80-M24x125-TV	80	M24	125	22	8	5	19	12	16000	680
404487	LMP.80-M24x150-TV	80	M24	150	22	8	5	19	12	16000	700
404488	LMP.80-M24x200-TV	80	M24	200	22	8	5	19	12	16000	760