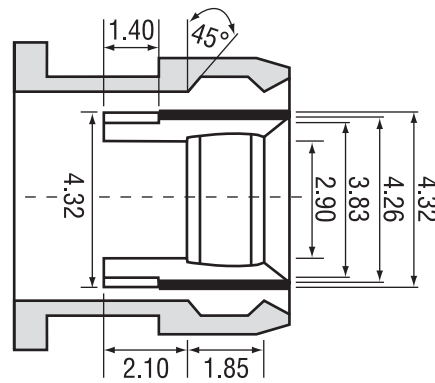
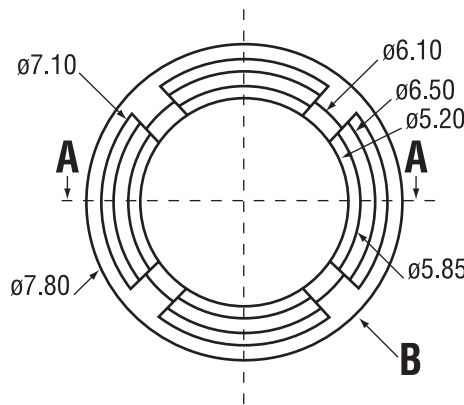
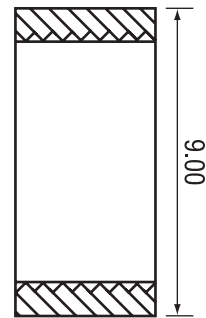


B



A - A



General assembly view

