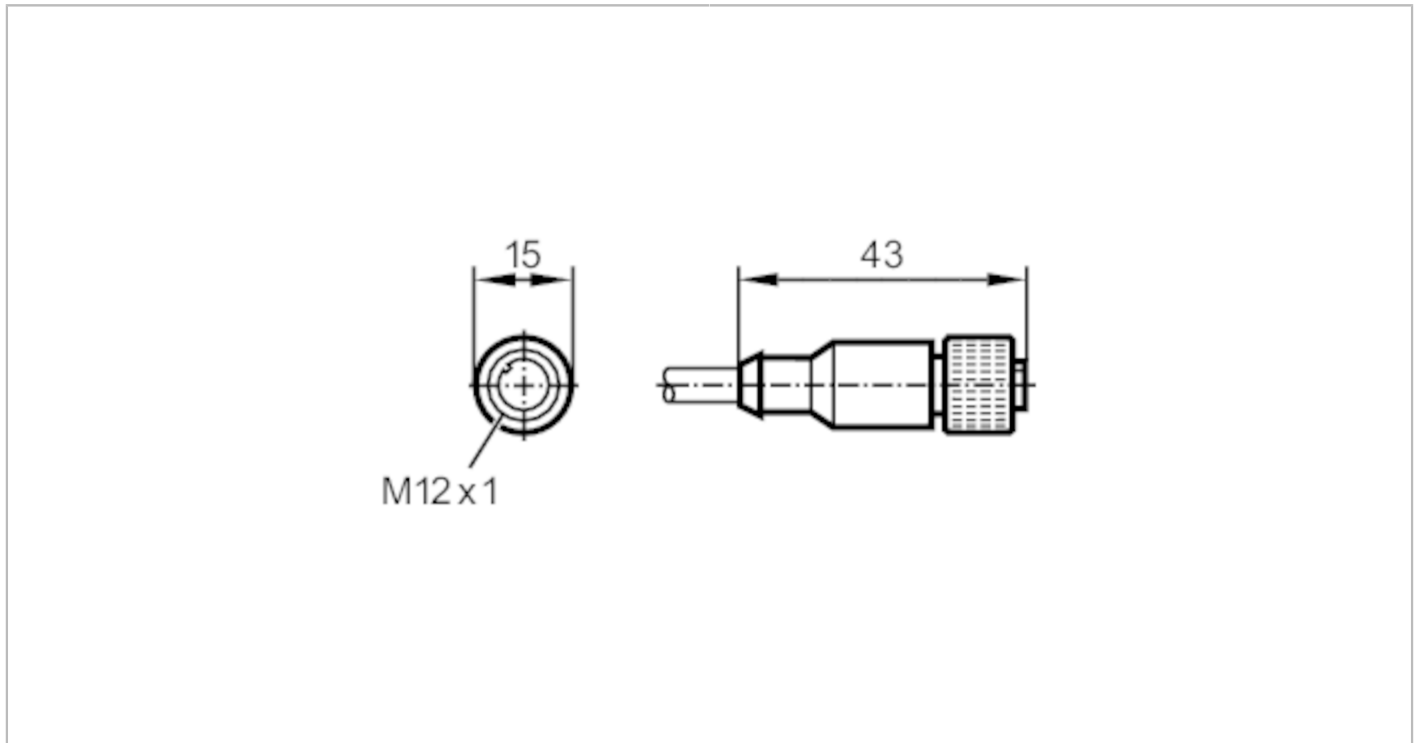


# E11950



## Connecting cable with socket

ADOGH080MSS0002H08



Application	
Special feature	Halogen-free
Electrical data	
Operating voltage [V]	< 30 AC / < 36 DC
Operating conditions	
Ambient temperature [°C]	-25...80
Protection	IP 68
Mechanical data	
Weight [g]	135.9
Dimensions [mm]	15 x 15 x 43
Materials	PUR
Material nut	brass, nickel-plated
Remarks	
Notes	For 8-pole sockets the core colours are not standardised.; Please note the wiring of the sensor and the sockets (see data sheet).
Pack quantity	1 pcs.
Electrical connection	
Cable: 2 m, PUR, Halogen-free, black, Ø 6.2 mm; 8 x 0.25 mm <sup>2</sup>	
Electrical connection - socket	
Connector: 1 x M12, straight; Moulded body: PUR; Locking: brass, nickel-plated; Tightening torque: 0.7...0.9 Nm	

# E11950



## Connecting cable with socket

ADOGH080MSS0002H08



### Connection

1	BN
2	WH
3	BU
4	BK
5	GY
6	PK
7	VT
8	OG

colours to DIN EN  
60947-5-2

Core colours :

BK =	black
BN =	brown
BU =	blue
GY =	grey
PK =	pink
OG =	orange
VT =	lilac
WH =	white