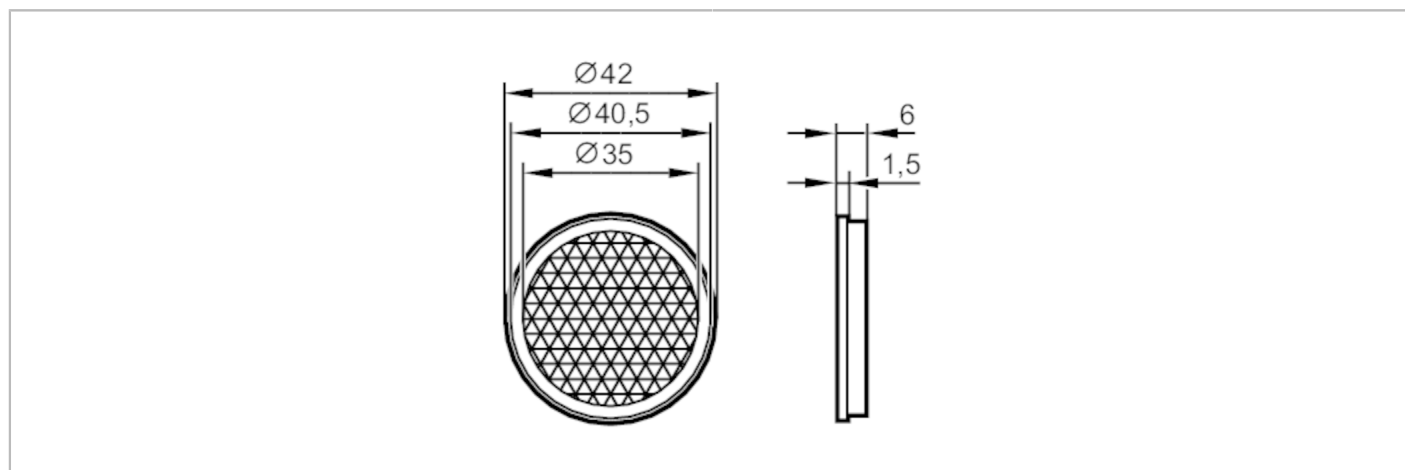


E20004



Reflector for retro-reflective sensors

REFLECTOR TS-40



| Application | |
|--------------------------|--|
| Design | round, for red light and infrared light retro-reflective sensors |
| Installation | sticking to a surface |
| Operating conditions | |
| Ambient temperature [°C] | -10...60 |
| Mechanical data | |
| Weight [g] | 7.4 |
| Dimensions [mm] | $\text{Ø} 42$ |
| Materials | plastics |
| Remarks | |
| Pack quantity | 1 pcs. |