

M12 male 90° / M12 female 90°

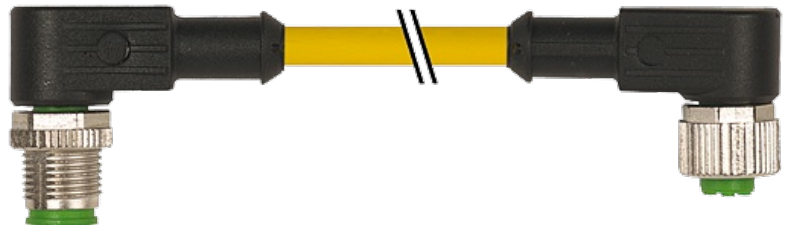
PVC 5x0.34 ye UL/CSA 3m

Male 90° to female 90°

M12 - M12, 5-pole

Art.-No. 7005 - M12 Lite - (plastic hexagonal screw) on request

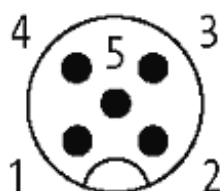
Plastic housings with good resistance against chemicals and oils. The resistance to aggressive media should be individually tested for your application. Further details on request. Further cable lengths on request.

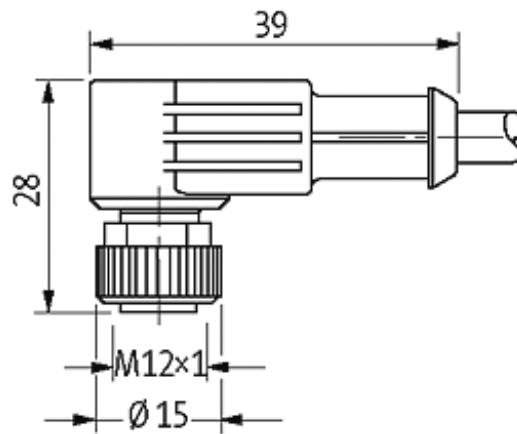
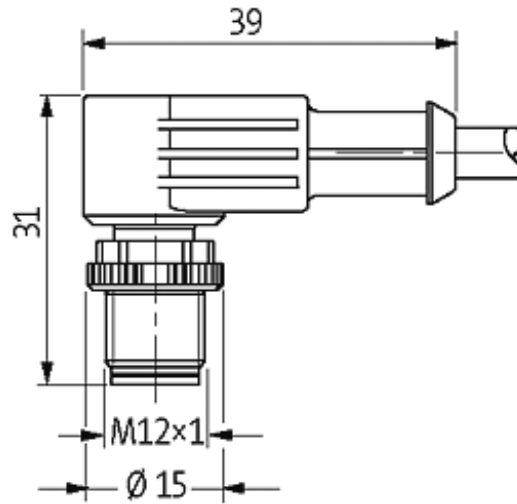
[Link to Product](#)**Illustration**

(* for cable type 126 and 732)

Male

Female





Product may differ from Image