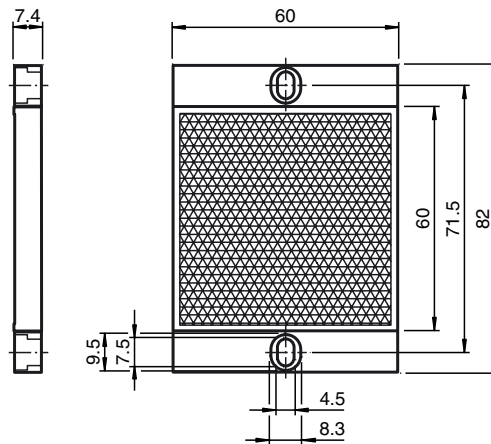


Dimensions



Model Number

REF-MH82

Reflector with Micro-structure, rectangular 82 mm x 60 mm, mounting holes

Features

- Mounting holes for simple installation
- Micro-structure

Reflectors for laser photodetectors

Technical data

General specifications

Construction type rectangular

Ambient conditions

Ambient temperature -20 ... 85 °C (-4 ... 185 °F)

Mechanical specifications

Material PMMA/ABS
 Dimensions 82 mm x 60 mm 7.4 mm
 Mounting mounting holes