

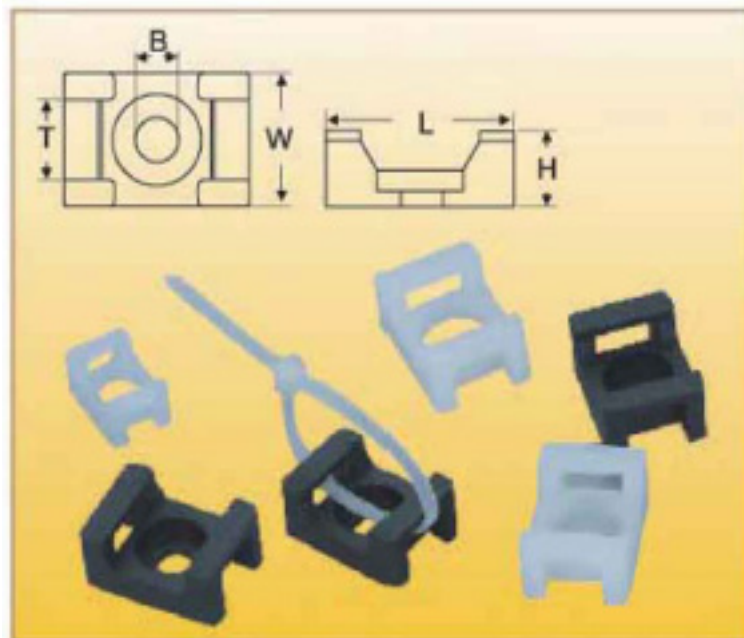
TECHNICAL DATA SHEET

Saddle Tie Mounts CB13690-693

RoHS
Compliant

Materials Used:	
Main component	PA66 (Nylon)
Flammability	UL94V-2
Colour	Natural and black
Main Features	
Good insulation, anti-aging, screw mount	

Part No	Size	Colour	T	B	Pack Qty
CB13690	7x15x10mm	Natural	5	3	100
CB13691	7x15x10mm	Black	5	3	
CB13692	9x23x16mm	Natural	9	6	
CB13693	9x23x16mm	Black	9	6	



Important Notice : This data sheet and its contents (the "Information") belong to pro-POWER. No licence is granted for the use of it other than for information purposes in connection with the products to which it relates. No licence of any intellectual property rights is granted. The Information is subject to change without notice and replaces all data sheets previously supplied. The Information supplied is believed to be accurate but pro-POWER assumes no responsibility for its accuracy or completeness, any error in or omission from it or for any use made of it. Users of this data sheet should check for themselves the Information and the suitability of the products for their purpose and not make any assumptions based on information included or omitted. Liability for loss or damage resulting from any reliance on the Information or use of it (including liability resulting from negligence or where pro-POWER was aware of the possibility of such loss or damage arising) is excluded. This will not operate to limit or restrict pro-POWER's liability for death or personal injury resulting from its negligence.