

# FIL + REG + LUB Skillair®

Refer to the sections on the single modules for a further description, components and other technical data.



TECHNICAL DATA	FRL 100		FRL 200			FRL 300			FRL 400			
	Threaded port	1/4"	3/8"	1/4"	3/8"	1/2"	1/2"	3/4"	1"	1"	1 1/4"	1 1/2"
Setting range	0 to 8 - 0 to 12		0 to 8 - 0 to 12			0 to 8 - 0 to 12			Depending on pilot regulator			
Degree of filtration	μm		5 - 20		5 - 20		5 - 20		5 - 20 - 50		5 - 20 - 50	
Max. inlet pressure	MPa		1.5		1.3		1.3		1.3		1.3	
	bar		15		13		13		13		13	
Flow rate at 6.3 bar ΔP 0.5 bar	psi		217		188		188		188		188	
	NI/min		300		1300		2500		9000		14000	
	scfm		11		46		89		320		500	
Flow rate at 6.3 bar ΔP 1 bar	NI/min		800		3000		4500		-		-	
	scfm		28		106		160		-		-	
Max temperature at 10 bar	°C		50		50		50		50		50	
	°F		122		122		122		122		122	
Weight	kg		0.75		1.5		2.9		~ 10		~ 10	
Wall fixing screws	M4 x 50		M5 x 60			M5 x 70			M6 x 110		M6 x 110	
Fluid	Compressed air											
Notes on use	The maximum inlet pressure for the version with RA automatic condensate drainage must not exceed 10 bar. Do not take air from pressure gauge ports.											

## SYNOPTIC, SIZES AND VERSIONS

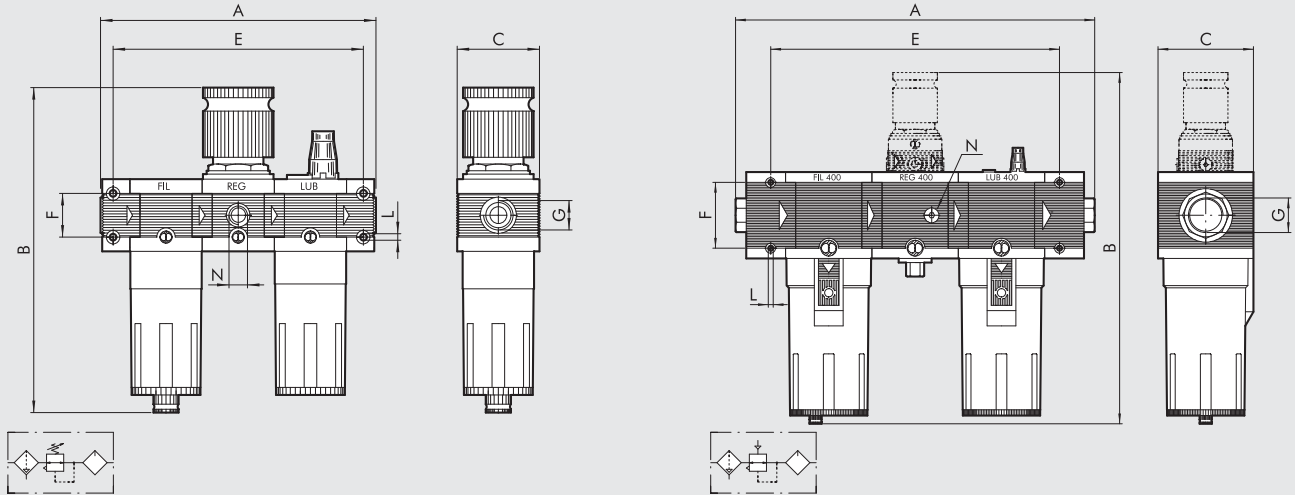
FRL	100	1/4	20	08	RMSA
ELEMENT	SIZE	THREADED PORT	DEGREE OF FILTRATION	SETTING RANGE	TYPE OF CONDENSATION DRAIN
FRL	100	1/4 3/8	5 = 5 μm 20 = 20 μm 50 = 50 μm	08 = 0 to 8 bar 012 = 0 to 12 bar	RMSA
	200	1/4 3/8 1/2			SAC
300	300	1/2 3/4	1	1	RMSA
		1			RA
400	400	1	1	1	RMSA
		1 1/4			RA
		1 1/2			
		2			

RMSA: drain with manual condensate discharge and automatic discharge at zero pressure  
 RA: automatic drain with condensate discharge, independent of pressure and flow rate.  
 (for size 200, 300 and 400)  
 SAC: automatic drain with condensate discharge.  
**Operates by depression – requires variable air take-offs.**  
 (for size 100 and 200)

**DIMENSIONS FIL + REG + LUB**

100 - 200 - 300

400



	FIL + REG + LUB 100		FIL + REG + LUB 200			FIL + REG + LUB 300			FIL + REG + LUB 400			
Threaded port G	1/4"	3/8"	1/4"	3/8"	1/2"	1/2"	3/4"	1"	1"	1 1/4"	1 1/2"	2"
A	164		204.5			240			436 to 466			
B	RMSA	199	245			278			444			
	RA	-	249			282			448			
	SAC	203	249			282			448			
C	50		63			72			116			
E	149		189.5			222			352			
F	26		36			42			80			
L	M4 hole		M5 hole			M5 hole			M6 hole			
N (pressure gauge port)	1/8"		1/8"			1/8"			1/4"			

**ORDERING CODES**

Code Description

**FIL+REG+LUB Skillair® 100**

- 3282008 FRL 100 1/4 20 08 RMSA
- 3282011 FRL 100 1/4 20 012 RMSA
- 3382008 FRL 100 3/8 20 08 RMSA
- 3382011 FRL 100 3/8 20 012 RMSA

**FIL+REG+LUB Skillair® 200**

- 3482008 FRL 200 1/4 20 08 RMSA
- 3482011 FRL 200 1/4 20 012 RMSA
- 3582008 FRL 200 3/8 20 08 RMSA
- 3582011 FRL 200 3/8 20 012 RMSA
- 3682008 FRL 200 1/2 20 08 RMSA
- 3682011 FRL 200 1/2 20 012 RMSA

**FIL+REG+LUB Skillair® 300**

- 4482005 FRL 300 1/2 20 08 RMSA
- 4482008 FRL 300 1/2 20 012 RMSA
- 4582005 FRL 300 3/4 20 08 RMSA
- 4582008 FRL 300 3/4 20 012 RMSA
- 4682005 FRL 300 1 20 08 RMSA
- 4682008 FRL 300 1 20 012 RMSA

**FIL+REG+LUB Skillair® 400**

- 6182002 FRL 400 1 20 RMSA
- 6182005 FRL 400 1 20 RA
- 6282002 FRL 400 1 1/4 20 RMSA
- 6382002 FRL 400 1 1/2 20 RMSA
- 6482002 FRL 400 2 20 RMSA

The following versions are available on request:

- with 5 µm or 50 µm degree of filtration
- with SAC or RA condensate discharge