

NPN Silicon Planar Switching Transistor

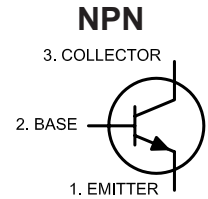
40V_{CEO}, 800mA I_C

multicomp PRO



TO-39

**RoHS
Compliant**



Absolute Maximum Ratings

Description	Symbol	Value	Unit
Collector Emitter Voltage	V _{CEO}	40	V
Collector Base Voltage	V _{CB0}	75	V
Emitter Base Voltage	V _{EBO}	6	V
Collector Current Continuous	I _C	800	mA
Power Dissipation at T _A = 25°C	P _D	800	mW
Derate above 25°C		4.57	mW/°C
Power Dissipation at T _c = 25°C	P _D	3	W
Derate Above 25°C		17.15	mW/°C
Operating and Storage Junction Temperature Range	T _J , T _{stg}	- 65 to +200	°C

Electrical Characteristics: (T_A = +25°C Unless otherwise specified)

Description	Symbol	Test Conditions	Min	Max	Unit
Collector -Emitter Voltage	V _{CEO}	I _C = 10mA, I _B = 0	40	-	V
Collector Base Voltage	V _{CB0}	I _C = 100μA, I _E = 0	75	-	V
Emitter Base Voltage	V _{EBO}	I _E = 100μA, I _C = 0	6	-	V
Collector Cutoff Current	I _{CBO}	V _{CB} = 60V, I _E = 0	-	10	nA
		V _{CB} = 60V, I _E = 0, T _A = 150°C	-	10	μA
		V _{CE} = 60V, V _{EB} = 3V	-	10	nA
Emitter-Cut off Current	I _{EBO}	V _{EB} = 3V, I _C = 0	-	10	nA
Base-Cut off Current	I _{BL}	V _{CE} = 60V, V _{EB} = 3V	-	20	nA
Collector Emitter Saturation Voltage	V _{CE(Sat)*}	I _C = 150mA, I _B = 15mA	-	0.3	V
		I _C = 500mA, I _B = 50mA	-	1	V
Base Emitter Saturation Voltage	V _{BE(Sat)*}	I _C = 150mA, I _B = 15mA I _C = 500mA, I _B = 50mA	-	0.6-1.2 2	V

Description	Symbol	Test Conditions	Values	Unit
DC Current Gain	h _{FE}	I _C = 0.1mA, V _{CE} = 10V	>35	
		I _C = 1mA, V _{CE} = 10V	>50	
		I _C = 10mA, V _{CE} = 10V	>75	
		T _A = 55°C		
		I _C = 10mA, V _{CE} = 10V	>35	
		I _C = 150mA, V _{CE} = 10V	100-300	
		I _C = 150mA, V _{CE} = 1V	>50	
I _C = 500mA, V _{CE} = 10V	>40			

Newark.com/multicomp-pro
Farnell.com/multicomp-pro
Element14.com/multicomp-pro

multicomp PRO

NPN Silicon Planar Switching Transistor
40V_{CE0}, 800mA I_c

multicomp PRO

Description	Symbol	Test Conditions	Values	Unit
Dynamic Characteristics				
Small Signal Current Gain	hfe	ALL f = 1kHz I _c = 1mA, V _{CE} = 10V I _c = 10mA, V _{CE} = 10V	50 - 300 75-375	
Input Impedance	hie	I _c = 1mA, V _{CE} = 10V I _c = 10mA, V _{CE} = 10V	2 - 8 0.25-1.25	kΩ
Voltage Feedback Ratio	hre	I _c = 1mA, V _{CE} = 10V I _c = 10mA, V _{CE} = 10V	<8 <4	x10 ⁻⁴
Out put Admittance	hoe	I _c = 1mA, V _{CE} = 10V I _c = 10mA, V _{CE} = 10V	5 - 35 25 - 200	umhos
Collector Base Time Constant	rb'Cc	I _E = 20mA, V _{CB} = 20V f = 31.8MHz	<150	ps
Real Part Common-Emitter High Frequency Input Impedance	Re(hie)	I _c = 20mA, V _{CE} = 20V f=300MHz	<60	Ω
Noise Figure	NF	I _c = 100μA, V _{CE} = 10V R _s = 1kohms, f = 1kHz	<4	dB
Dynamic Characteristics				
Transistors Frequency	ft	I _c = 20mA, V _{CE} = 20V f = 100MHz	>300	MHz
Out-Put Capacitance	Cob	V _{CB} = 10V, I _E = 0 f = 100kHz	<8	pF
Input Capacitance	Cib	V _{EB} = 0.5V, I _c = 0 f = 100kHz	<25	pF
Switching Time				
Delay time	td	I _c = 150mA, I _{B1} = 15mA	<10	ns
Rise time	tr	V _{CC} = 30V, V _{BE} = 0.5V	<25	ns
Storage time	ts	I _c = 150mA	<225	ns
Fall time	tf	I _{B2} = 15mA, V _{CC} = 30V	<60	ns

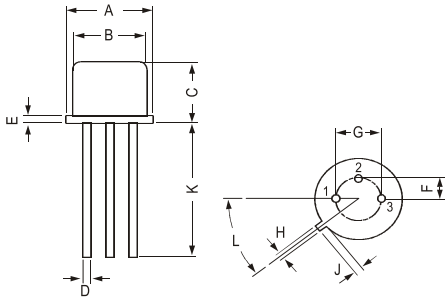
*Pulse Condition: Pulse Width=300μs, Duty Cycle=2%

NPN Silicon Planar Switching Transistor

40V_{CEO}, 800mA I_c

multicomp PRO

TO-39 Metal Can Package



Dim.	Min.	Max.
A	8.5	9.39
B	7.74	8.5
C	6.09	6.6
D	0.4	0.53
E	-	0.88
F	2.41	2.66

Dim.	Min.	Max.
G	4.82	5.33
H	0.71	0.86
J	0.73	1.02
K	12.7	-
L	42 Deg.	48 Deg.

Dimensions : Millimetres

Part Number Table

Description	Part Number
NPN Silicon Planar Switching Transistor, 40V, 800mA, TO-39	MP001166

Important Notice : This data sheet and its contents (the "Information") belong to the members of the AVNET group of companies (the "Group") or are licensed to it. No licence is granted for the use of it other than for information purposes in connection with the products to which it relates. No licence of any intellectual property rights is granted. The Information is subject to change without notice and replaces all data sheets previously supplied. The Information supplied is believed to be accurate but the Group assumes no responsibility for its accuracy or completeness, any error in or omission from it or for any use made of it. Users of this data sheet should check for themselves the Information and the suitability of the products for their purpose and not make any assumptions based on information included or omitted. Liability for loss or damage resulting from any reliance on the Information or use of it (including liability resulting from negligence or where the Group was aware of the possibility of such loss or damage arising) is excluded. This will not operate to limit or restrict the Group's liability for death or personal injury resulting from its negligence. Multicomp Pro is the registered trademark of Premier Farnell Limited 2019.

Newark.com/multicomp-pro
 Farnell.com/multicomp-pro
 Element14.com/multicomp-pro

multicomp PRO