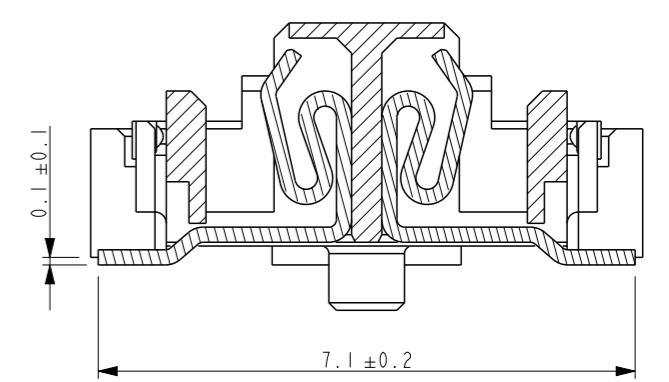
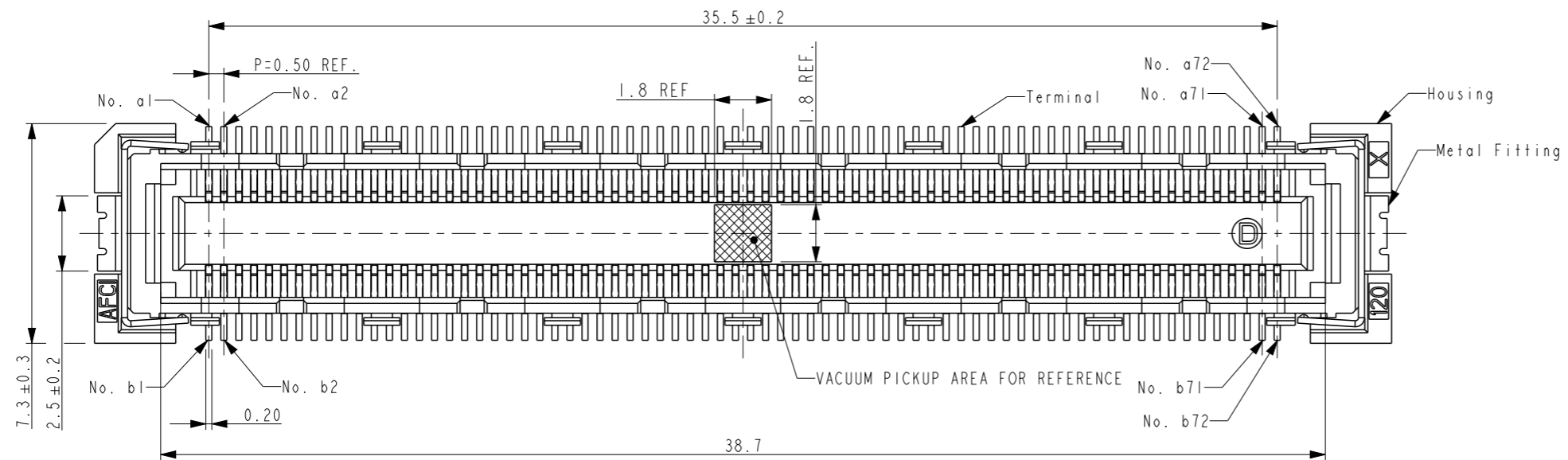
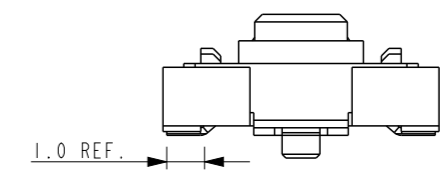
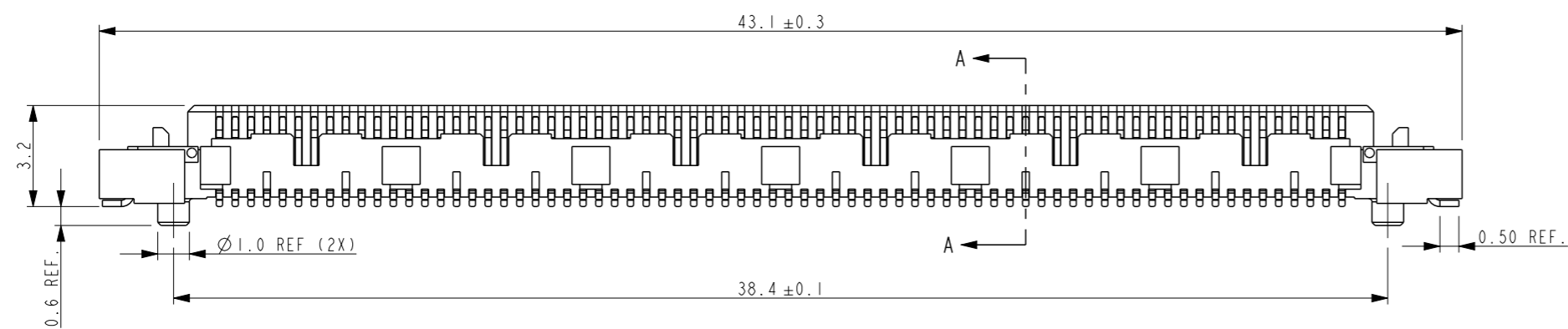


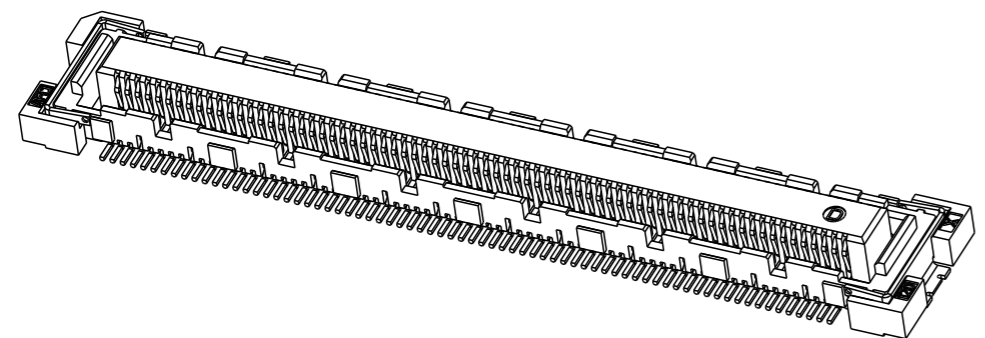
PRODUCT NO.
10147523-144-IHLF



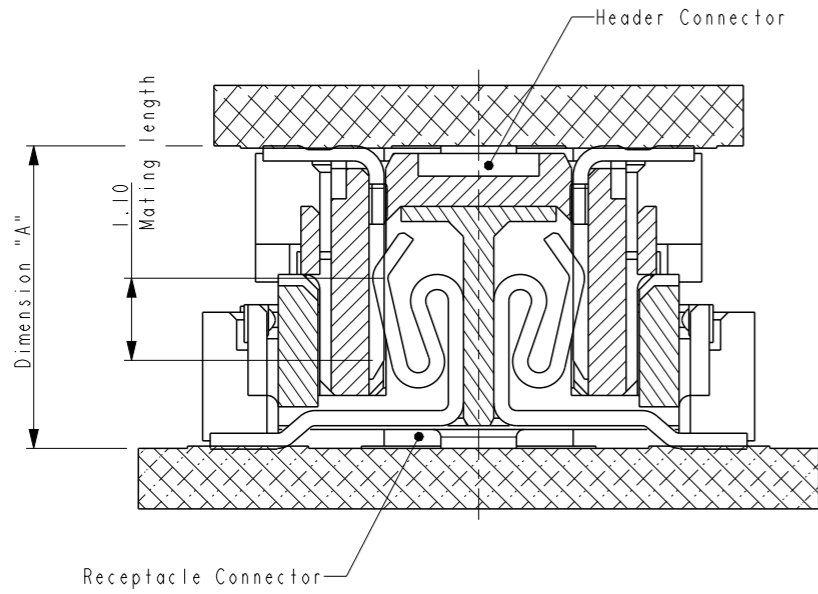
SECTION A-A
SCALE 10:1



- NOTES:
- MATERIAL:
 - HOUSING: LCP BEIGE, UL94V-0
 - TERMINAL AND METAL FITTING: COPPER ALLOY.
 - PLATING:
 - GOLD FLASH ON SOLDER AREA;
 - $0.75 \mu\text{M}$ AU ON MATING AREA.
 - PRODUCTION SPECIFICATION GS-12-1529;
 - THIS HOUSING WILL WITHSTAND EXPOSURE TO 260°C PEAK TEMPERATURE FOR 20 SECONDS IN A IR REFLOW SOLDERING APPLICATION;
 - THIS PRODUCT MEETS EUROPEAN UNION DIRECTIVES AND OTHER COUNTRY REGULATIONS AS DESCRIBED IN GS-22-008;
 - SMT LEAD-COPLANARITY: 0.1 MAX.

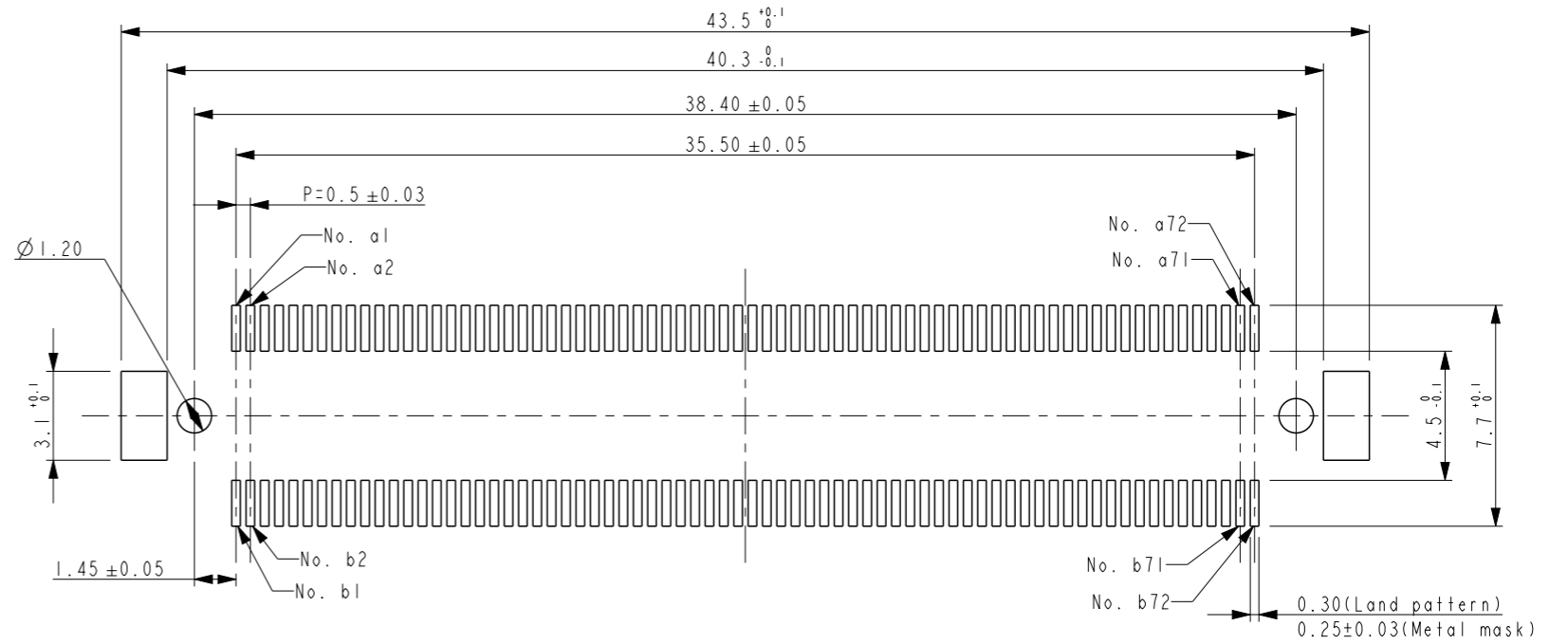


spec ref	*	dr	Li-Qing Lei	2019/05/27	projection	mm	size	A3	scale	5:1
tolerance std	TOLERANCES UNLESS OTHERWISE SPECIFIED	eng	Li-Qing Lei	2019/07/24			ecn no	-	rel level	Released
surface	linear	chr	-	-						
ASME Y14.5	angular	appr	Tim Yao	2019/07/24	cat. no.	Product - Customer Drw	sheet 1 of 2			



Stack height	10147523-144-IHLF
	Dimension "A"
10147520-144-SHLF	4.3+0.2/-0.127
10147520-144-THLF	6.0±0.127

RECOMMENDED LAND PATTERN DIMENSION OF PCB
(RECOMMENDED METAL MASK THICKNESS:0.15MM)



spec ref	*	dr	Li-Qing Lei	2019/05/27	projection	mm	size	A3	scale	5:1
tolerance std	TOLERANCES UNLESS OTHERWISE SPECIFIED	eng	Li-Qing Lei	2019/07/24			ecn no	-	rel level	Released
		chr	-	-			product family			
surface	linear	appr	Tim Yao	2019/07/24	Amphenol FCI Receptacle Connector 0.5P BTB		dwg no	10147523	rev	A
ASME Y14.5	angular				cat. no.	Product - Customer Drw	sheet 2 of 2			