

Tower LED

Super Red, 1.8mm

multicomp^{PRO}

RoHS
Compliant

Specifications

Dice Material : AlInGaP
Emitted colour : Super Red
Lens colour : Red Diffused
Peak wavelength : 650nm
Viewing angle : 70°
Luminous intensity (IV) : 14mcd

| Electrical / Optical Characteristics at Ta = 25°C | | | | | | |
|---|----------------|------|------|------|------|-----------|
| Parameter | Symbol | Min. | Typ. | Max. | Unit | Condition |
| Luminous Intensity | IV | 10 | 14 | 20 | mcd | IF = 20mA |
| Viewing Angle | 2θ1/2 | | 70 | | deg | |
| Peak Emission Wavelength | λp | | 650 | | nm | |
| Dominant Wavelength | λD | 635 | 640 | 645 | nm | |
| Spectral Line Half-Width | Δλ | | 20 | | nm | |
| Forward Voltage | VF | 1.8 | 1.9 | 2.2 | V | |
| Reverse Current | I _r | - | - | 10 | uA | VR=5V |

▲ Luminous intensity (IV) ±10%, Forward Voltage (VF) ±0.1V, Wavelength (λd) ±0.5nm

| Absolute Maximum Ratings: (Ta = 25°C) | | | |
|--|--------------------|--|------|
| Parameter | Symbol | Rating | Unit |
| Power Dissipation | Pd | 85 | mW |
| Peak Forward Current (Duty 1/10 @ 1KHZ) | IF (Peak) | 100 | mA |
| Recommended Operating Current | IF (Rec) | 25 | mA |
| Electrostatic Discharge | ESD _{HBM} | 2000 | V |
| Operating Temperature Range | T _{OPR} | -40 to +85 | °C |
| Storage Temperature Range | T _{STG} | -40 to +100 | °C |
| Lead Soldering Temperature Range (1.6 mm (1/16 inch) from body) | | Reflow Soldering: 260°C for 5 sec. Hand Soldering: 350°C for 3 sec. | |

Newark.com/multicomp-pro
Farnell.com/multicomp-pro
Element14.com/multicomp-pro

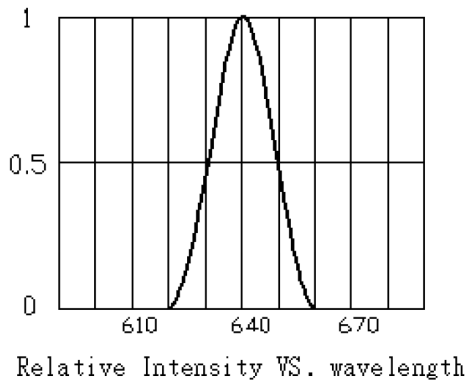
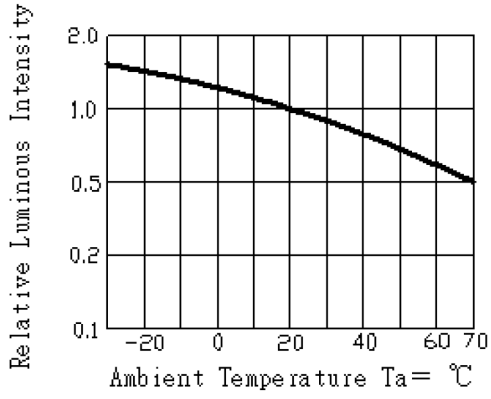
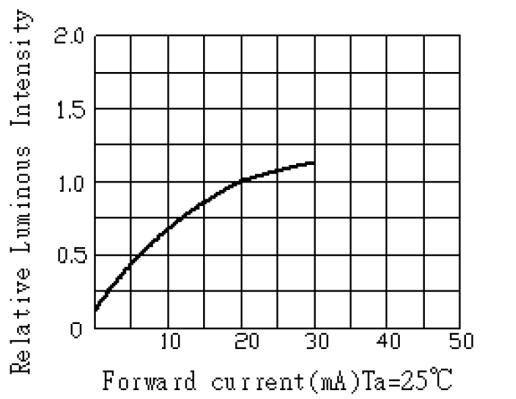
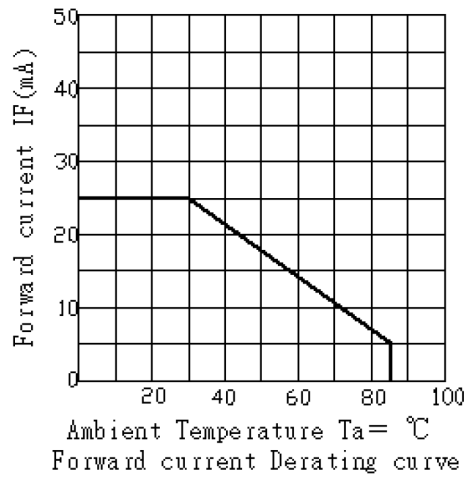
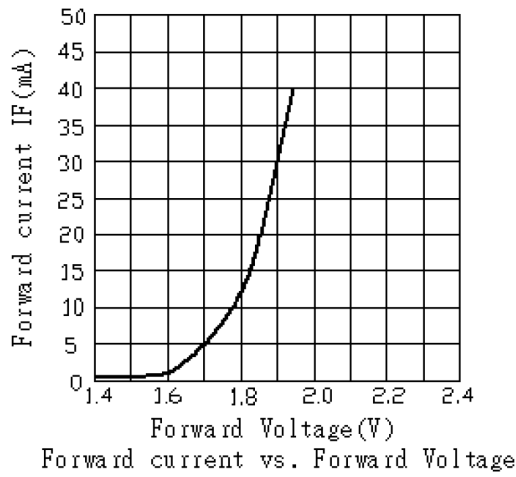
multicomp^{PRO}

Tower LED

Super Red, 1.8mm

Typical Electro-Optical Characteristics Curves

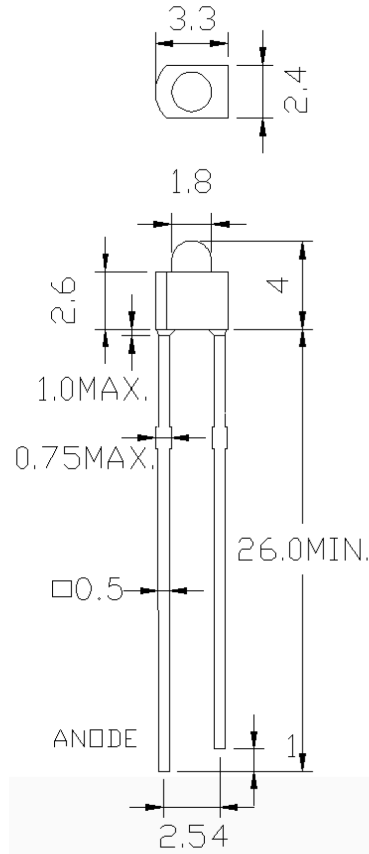
Super Red (AlInGaP $\lambda_d=640\text{nm}$)



Tower LED

Super Red, 1.8mm

Dimensions



Dimensions : Millimetres

Part Number Table

| Description | Part Number |
|---|-------------|
| Tower LED, Super Red, 650nm, 70°, 14mcd, Through hole | MP008021 |

Important Notice : This data sheet and its contents (the "Information") belong to the members of the AVNET group of companies (the "Group") or are licensed to it. No licence is granted for the use of it other than for information purposes in connection with the products to which it relates. No licence of any intellectual property rights is granted. The Information is subject to change without notice and replaces all data sheets previously supplied. The Information supplied is believed to be accurate but the Group assumes no responsibility for its accuracy or completeness, any error in or omission from it or for any use made of it. Users of this data sheet should check for themselves the Information and the suitability of the products for their purpose and not make any assumptions based on information included or omitted. Liability for loss or damage resulting from any reliance on the Information or use of it (including liability resulting from negligence or where the Group was aware of the possibility of such loss or damage arising) is excluded. This will not operate to limit or restrict the Group's liability for death or personal injury resulting from its negligence. Multicomp Pro is the registered trademark of Premier Farnell Limited 2019.