

**RSS113024F****Weidmüller Interface GmbH & Co. KG**

Klingenbergstraße 26

D-32758 Detmold

Germany

www.weidmueller.com

**Product image**

Similar to illustration

Individual relays for TERMSERIES

- Electromechanical relays
- Different contact materials

**General ordering data**

Version	TERMSERIES, Relay, Number of contacts: 1, CO contact AgNi, Rated control voltage: 24 V DC, Continuous current: 6 A, Plug-in connection, Test button available: No
Order No.	<a href="#">1454430000</a>
Type	RSS113024F
GTIN (EAN)	4050118261042
Qty.	18 pc(s).

Creation date December 24, 2022 3:32:25 PM CET

Catalogue status 16.12.2022 / We reserve the right to make technical changes.

RSS113024F

Weidmüller Interface GmbH &amp; Co. KG

Klingenbergstraße 26

D-32758 Detmold

Germany

www.weidmueller.com

## Technical data

### Dimensions and weights

Depth	15 mm	Depth (inches)	0.591 inch
Height	28 mm	Height (inches)	1.102 inch
Width	5 mm	Width (inches)	0.197 inch
Net weight	5.1 g		

### Temperatures

Storage temperature	-40 °C...85 °C	Operating temperature	-40 °C...85 °C
Humidity	5...85 % rel. humidity, no condensation		

### Rated data UL

Certificate No. (cURus)	E475330
-------------------------	---------

### Control side

Rated control voltage	24 V DC	Rated current DC	7 mA
Power rating	170 mW	Pull-in/drop-out voltage, typ.	18 V / 1.2 V DC
Coil resistance	3390 Ω ± 15 %	Coil tolerance	15 %

### Load side

Rated switching voltage	250 V AC	Continuous current	6 A
Max. switching frequency at rated load	0.1 Hz	Max. switching voltage, AC	250 V
Max. switching voltage, DC	250 V	Inrush current	20 A / 20 ms
AC switching capacity (resistive), max.	1500 VA	DC switching capacity (resistive), max.	144 W @ 24 V
Switch-on delay	< 8 ms	Switch-off delay	< 4 ms
Contact type	1 CO contact (AgNi)	Mechanical service life	10 x 10 <sup>6</sup> switching cycles
Min. switching power	1 mA @ 24 V, 10 mA @ 10 V, 100 mA @ 5 V		

### General data

Test button available	No	Mechanical switch position indicator	No
Colour	white	UL 94 flammability rating	V-0

### Insulation coordination

Clearance and creepage distances for control side - load side	≥ 6 mm	Dielectric strength for control side - load side	4 kV <sub>eff</sub> / 1 Min.
Dielectric strength of open contact	1 kV <sub>eff</sub> / 1 min	Protection degree	IP67

### Further details of approvals / standards

Certificate No. (VDE)	40049192	Certificate No. (cURus)	E475330
-----------------------	----------	-------------------------	---------

### Connection data

Wire connection method	Plug-in connection
------------------------	--------------------

**RSS113024F**

**Weidmüller Interface GmbH & Co. KG**  
 Klingenbergstraße 26  
 D-32758 Detmold  
 Germany

[www.weidmueller.com](http://www.weidmueller.com)

**Technical data**

**Classifications**

ETIM 6.0	EC001437	ETIM 7.0	EC001437
ETIM 8.0	EC001437	ECLASS 9.0	27-37-16-01
ECLASS 9.1	27-37-16-01	ECLASS 10.0	27-37-16-01
ECLASS 11.0	27-37-16-01	ECLASS 12.0	27-37-16-01

**Approvals**

Approvals

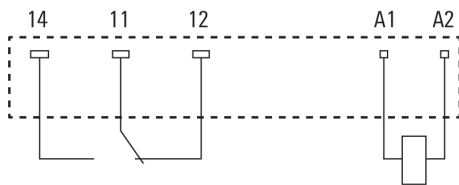


ROHS	Conform
UL File Number Search	UL Website
Certificate No. (cURus)	E475330

**Downloads**

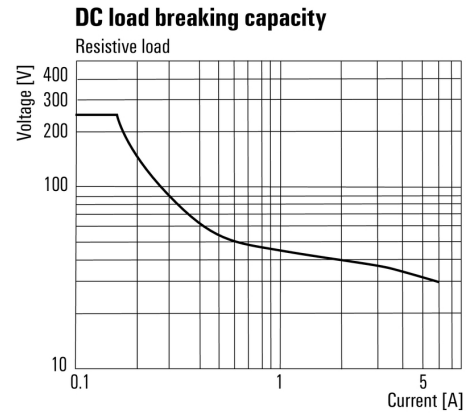
Catalogues [Catalogues in PDF-format](#)

**Wiring diagram**



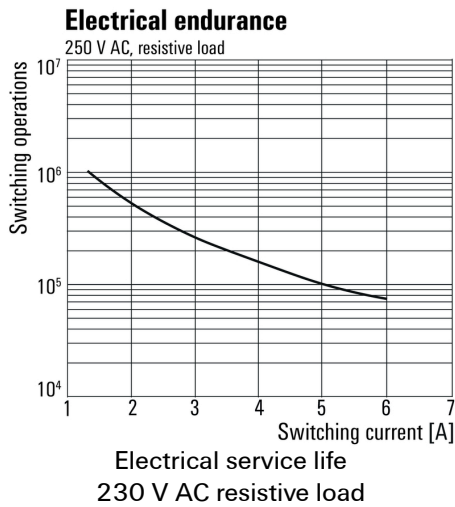
View of Pins from below

**Graph**

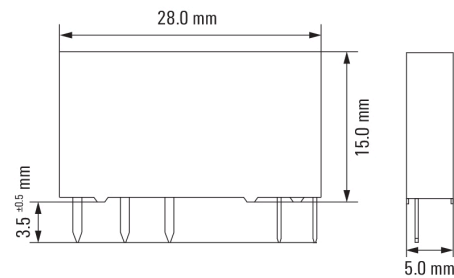


DC load limit curve

**Graph**

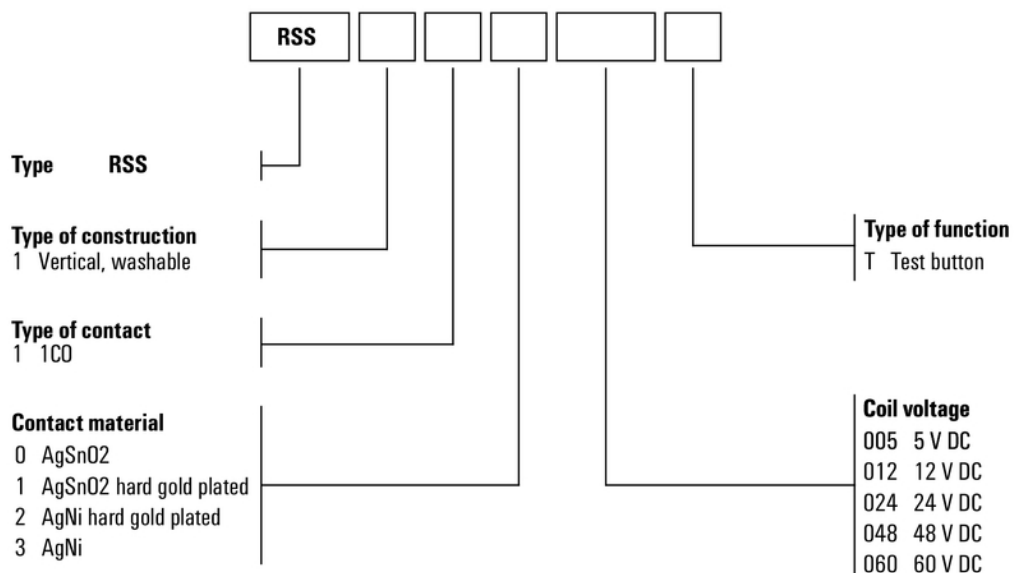


**Dimensional drawing**



Miscellaneous

**Type code electromechanical relay (TERMSERIES)**



Type codes