

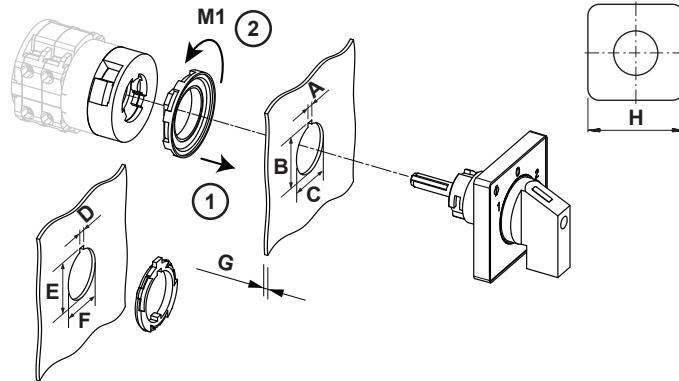
Sample image

Datasheet

Article number: 70007315
Designation: CA4.A210.FS2
Description: Switch

| IEC 60947-3 EN 60947-3, VDE 0660 Teil 107 | | | | | | |
|---|---------------------------|---|---------------------------|------------------------|---------------------------|-----------|
| Märkdriftspänning Ui | | | | | | |
| Spänning (V) AC / DC | | | | | | |
| 440 AC / DC | | | | | | |
| Märkdriftström vid konstant drift | | | | | | |
| Ström (A) | Omgivningstemperatur (°C) | Temperatur topp (°C) ytterligare krav | | | | |
| 10 | 55 | 60 Omgivningstemperatur +55°C under 24 timmar med toppar upp till +60°C | | | | |
| Märkdriftström Ie | | | | | | |
| Urvals kriterie | | | | | | |
| | | | | Spänning (V) | Ström (A) | |
| AC-15 | | | | 220 - 240 | | 2,50 |
| AC-15 | | | | 380 - 440 | | 1,50 |
| Märkdrifteffekt | | | | | | |
| Urvals kriterie | Spänning (V) | No. of phases | No. of poles | Effekt (kW) | | |
| AC-3 | 220 - 240 | 3 | 3 | 1,50 | | |
| AC-3 | 380 - 440 | 3 | 3 | 2,20 | | |
| AC-3 | 220 - 240 | 1 | 2 | 0,55 | | |
| AC-3 | 380 - 440 | 1 | 2 | 0,75 | | |
| AC-23A | 220 - 240 | 3 | 3 | 1,80 | | |
| AC-23A | 380 - 440 | 3 | 3 | 3 | | |
| AC-23A | 220 - 240 | 1 | 2 | 0,75 | | |
| AC-23A | 380 - 440 | 1 | 2 | 1,10 | | |
| Max försäkring, IEC | | | | | | |
| Säkringskarakteristik | | | | Antal säkringar | | Ström (A) |
| gG | | | | 1 | | 10 |
| UL60947-4-1, UL508 | | | | | | |
| Nominal Voltage | | | | | | |
| Spänning (V) AC / DC | | | | | | |
| 300 AC | | | | | | |
| Märkdriftspänning Ui | | | | | | |
| Spänning (V) AC / DC | | | | | | |
| 300 AC | | | | | | |
| Rated thermal current | | | | | | |
| Ström (A) | | | Omgivningstemperatur (°C) | | Additional Text | |
| 10 | | | 0 - 40 | | - | |
| Horsepower rating | | | | | | |
| Across-the-Line Motor Starting | | | | | | |
| | Spänning (V) | No. of phases | No. of poles | Power (HP) | Ambient temperature [°C] | |
| DOL | 110 - 120 | 1 | 2 | 0,33 | 40 | |
| DOL | 220 - 240 | 1 | 2 | 0,75 | 40 | |
| DOL | 277 - 277 | 1 | 2 | 0,75 | 40 | |
| DOL | 110 - 120 | 3 | 3 | 0,75 | 40 | |
| DOL | 220 - 240 | 3 | 3 | 1 | 40 | |
| Pilot duty rating code | | | | | | |
| Duty Code | | | | | | |
| A300 | | | | | | |
| Temp. rating of wire | | | | | | |
| Temperature rating (°C) | | | | Ström (A) Text | | |
| 60 - 75 | | | | - Use copper wire only | | |
| General Use | | | | | | |
| AC / DC | Spänning (V) | Ström (A) | No. of phases | No. of poles | No. of contacts in series | |
| AC | 120 | 10 | 1 | 1 | 1 | |
| AC | 277 | 10 | 1 | 2 | 1 | |
| AC | 277 | 10 | 3 | 3 | 1 | |
| CSA | | | | | | |
| Nominal Voltage | | | | | | |
| Spänning (V) AC / DC | | | | | | |
| 300 AC | | | | | | |
| Märkdriftspänning Ui | | | | | | |
| Spänning (V) AC / DC | | | | | | |
| 300 AC | | | | | | |

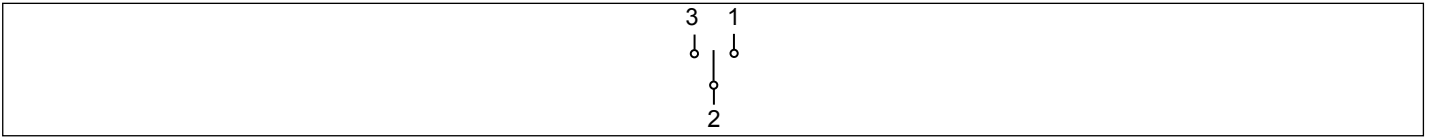
| Rated thermal current | | | | | | |
|---|-------------------|--|---------------|---|---------------------------|---|
| | | Ström (A) | | Omgivningstemperatur (°C) | | Additional Text |
| | | 10 | | 0 - 40 | | -- |
| Horsepower rating | | | | | | |
| Across-the-Line Motor Starting | | | | | | |
| | Spänning (V) | No. of phases | No. of poles | Power (HP) | Ambient temperature [°C] | |
| DOL | 110 - 120 | 1 | 2 | 0,33 | 40 | |
| DOL | 220 - 240 | 1 | 2 | 0,75 | 40 | |
| DOL | 277 - 277 | 1 | 2 | 0,75 | 40 | |
| DOL | 110 - 120 | 3 | 3 | 0,75 | 40 | |
| DOL | 220 - 240 | 3 | 3 | 1 | 40 | |
| Pilot duty rating code | | | | | | |
| Duty Code | | | | | | |
| A300 | | | | | | |
| Temp. rating of wire | | | | | | |
| | | Temperature rating (°C) | | Ström (A) | | Text |
| | | 75 | | | | -- only |
| General Use | | | | | | |
| AC / DC | Spänning (V) | Ström (A) | No. of phases | No. of poles | No. of contacts in series | |
| AC | 120 | 10 | 1 | 1 | 1 | |
| AC | 277 | 10 | 1 | 2 | 1 | |
| GENERAL TECHNICAL INFORMATION | | | | | | |
| Tightening torque of screws | | | | | | |
| | | tightening torque (Nm) | | tightening torque (lb-in) | | |
| | | 0,40 | | 3,50 | | |
| Stripping length | | | | | | |
| | | Length (mm) | | -- | | |
| | | 6 | | STRIPPINGLENGTH | | |
| Size of conductor | | | | | | |
| composition of conductor | Min. / Max. value | No. of conductor per terminal | | Cross section (mm ²) or (AWG/kcmil) | Material of the wire | |
| solid wire | Min. | 1 | | 0,5mm ² | Copper | |
| solid wire | Min. | 2 | | 0,5mm ² | Copper | |
| flexible wire | Min. | 1 | | 0,75mm ² | Copper | |
| flexible wire | Min. | 2 | | 0,75mm ² | Copper | |
| flexible wire | Max. | 2 | | AWG 16 | Copper | |
| flexible wire | Max. | 2 | | 1,5mm ² | Copper | |
| Single-core or stranded wire | Max. | 2 | | AWG 14 | Copper | |
| Single-core or stranded wire | Max. | 2 | | 1,5mm ² | Copper | |
| flexible wire with ferrule according to DIN 46228 | Max. | 2 | | 1mm ² | Copper | |
| flexible wire with ferrule according to DIN 46228 | Min. | 1 | | 0,5mm ² | Copper | |
| flexible wire with ferrule according to DIN 46228 | Min. | 2 | | 0,5mm ² | Copper | |
| Approbations | | | | | | |
| Specification | | | | | | Marking |
| EAC | | | | | |  |
| CE marking | | | | | |  |
| UK Directives | | | | | |  |
| CSA C.22.2 No.14 | | | | | |  |
| Rekomenderad skruvmejsel | | | | | | |
| Typ av skruvmejsel | | Value | | | | |
| Stjärnskruvmejsel | | PH1 | | | | |
| Slot screwdriver according to DIN 5264 | | 0,6x3,5 | | | | |
| General Information | | | | | | |
| Text | | | | | | |
| - Smörjning och behandling av kontakterna är förbjuden. | | | | | | |
| - Inkoppling och service av strömställaren får endast utföras av behörig personal. Strömställaren är underhållsfri. | | | | | | |
| - Använd endast kopparkabel. Kabeln får inte förtennas. | | | | | | |
| - Alla anslutningsskruvar måste dras med rekommenderat moment, även de som inte används då det kan finnas interna överkopplingar. | | | | | | |
| - Vid installation av strömställaren skall kontrolleras att kryp- och luftavstånd motsvarar gällande föreskrifter. | | | | | | |
| Waste Electrical & Electronic Equipment (WEEE) | | | | | | |
| Picture name | | Description | | | | |
|  | | Do not throw in the trash as care must be taken to ensure environmentally sound disposal and recycling. Please either use an environmentally friendly waste disposal company; return to the supplier for disposal; or return direct to the manufacturer, Kraus & Naimer. You can find local Kraus & Naimer offices at www.krausnaimer.com | | | | |
| Proposition 65 | | | | | | |
| Picture name | | Description | | | | |
|  | | WARNING: This product can expose you to chemicals including nickel and lead, which is known to the State of California to cause cancer. For more information go to www.P65Warnings.ca.gov . | | | | |
| Classification Contact: Rigid contact bridge | | | | | | |
| Classification Contact Mat: Silver | | | | | | |
| Classification Terminal: Screw terminal | | | | | | |

Mounting-FS2



| | | |
|----------------------------|---|-------------------|
| Skyddsklass frontpanel, IP | | IP66, IP67, IP69k |
| Stages | | 1,00 - 9,00 |
| A | H | 1,70 mm |
| A+_tol. | H | 0,20 mm |
| A-_tol. | H | 0,00 mm |
| B | H | 17,90 mm |
| B+_tol. | H | 0,20 mm |
| B-_tol. | H | 0,00 mm |
| C | Ø | 16,20 mm |
| C+_tol. | Ø | 0,20 mm |
| C-_tol. | Ø | 0,00 mm |
| D | H | 3,20 mm |
| D+_tol. | H | 0,20 mm |
| D-_tol. | H | 0,00 mm |
| E | H | 24,10 mm |
| E+_tol. | H | 0,40 mm |
| E-_tol. | H | 0,00 mm |
| F | Ø | 22,30 mm |
| F+_tol. | Ø | 0,40 mm |
| F-_tol. | Ø | 0,00 mm |
| G | H | <= 5,00 mm |
| H | H | 30,00 mm |
| M1 | ⌀ | 0,70 Nm |

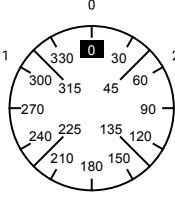
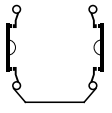
Wiring diagram

CA4.A210.FS2



Switch program
CA4.A210.FS2

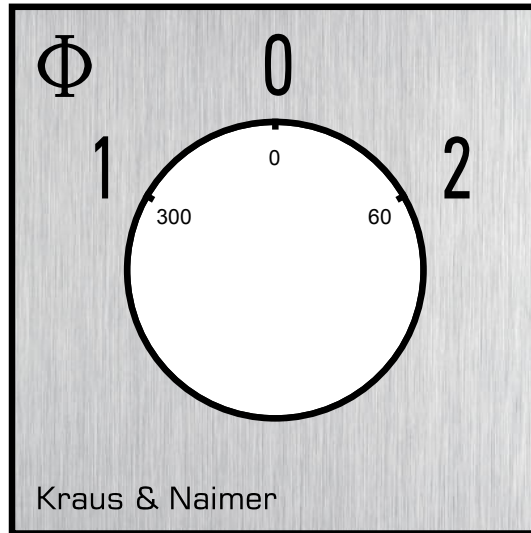
 Kraus & Naimer

| | | | | | | | | | | | | | |
|---|-----|---|---|-------------|---|--------------------|----|----|----|----|----|----|----|
| | | CA4 | | A210 | | Page 1 of 1 | | | | | | | |
| Face Plate | | | | | | | | | | | | | |
|  | | 1 | 3 | 5 | 7 | 9 | 11 | 13 | 15 | 17 | 19 | 21 | 23 |
| | |  | | | | | | | | | | | |
| Switching Angle <input type="text" value="60"/> Total switching Angle <input type="text" value="120"/> | | 2 | 4 | 6 | 8 | 10 | 12 | 14 | 16 | 18 | 20 | 22 | 24 |
| 1 | 300 | | | | | | | | | | | | |
| | 315 | | | | | | | | | | | | |
| | 330 | | | | | | | | | | | | |
| | 345 | | | | | | | | | | | | |
| 0 | 0 | | | | | | | | | | | | |
| | 15 | | | | | | | | | | | | |
| | 30 | | | | | | | | | | | | |
| | 45 | | | | | | | | | | | | |
| 2 | 60 | | | | | | | | | | | | |
| | 75 | | | | | | | | | | | | |
| | 90 | | | | | | | | | | | | |
| | 105 | | | | | | | | | | | | |
| | 120 | | | | | | | | | | | | |
| | 135 | | | | | | | | | | | | |
| | 150 | | | | | | | | | | | | |
| | 165 | | | | | | | | | | | | |
| | 180 | | | | | | | | | | | | |
| | 195 | | | | | | | | | | | | |
| | 210 | | | | | | | | | | | | |
| | 225 | | | | | | | | | | | | |
| | 240 | | | | | | | | | | | | |
| | 255 | | | | | | | | | | | | |
| | 270 | | | | | | | | | | | | |
| | 285 | | | | | | | | | | | | |

Version: 102

Face plate

S00.F071/A10.E1



HANDLES

Designation: S00.G251
Handle colour: "1" black

