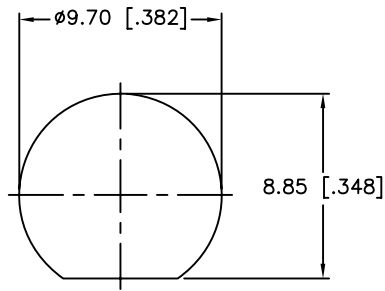
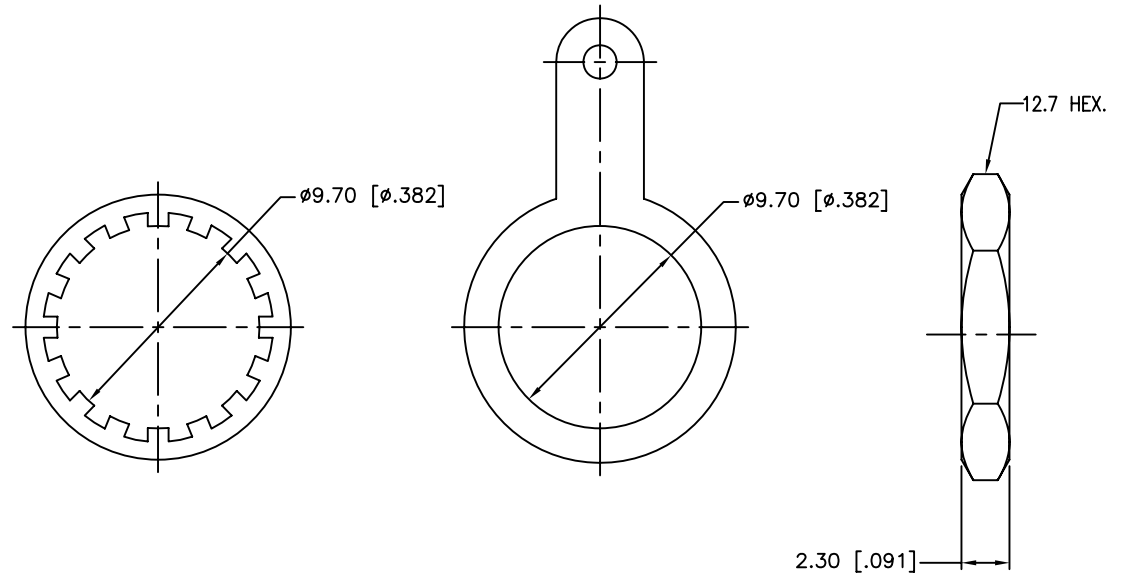
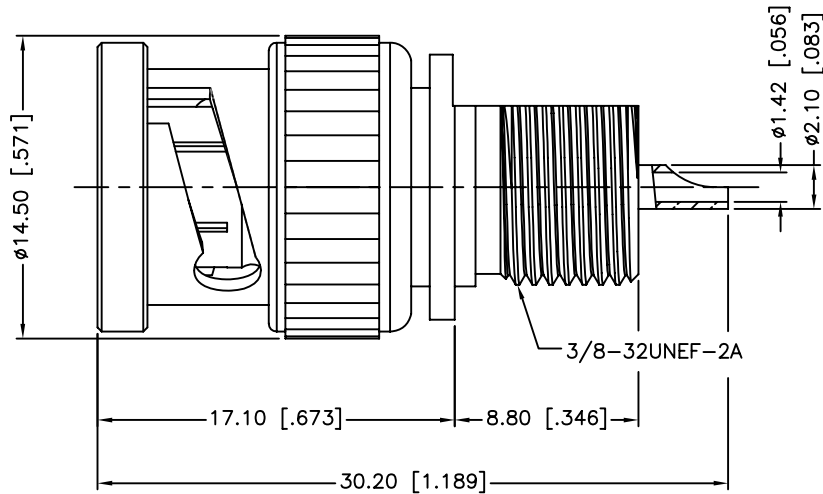


REV.	DATE	ECR NO.	DESCRIPTION
NC	03/10/01	XXXXXX	INITIAL RELEASE
A	11/16/05	XXXXXX	UPDATE DRAWING FORMAT
B	06/03/10	2057	THE MATERIAL OF INSULATOR WAS CHANGED TO PTFE & DELRIN



RECOMMENDED
MOUNTING HOLE



				UNLESS OTHERWISE SPECIFIED DIMENSIONS ARE IN MILLIMETERS. DIMENSIONS IN [] ARE IN INCHES AND FOR CUSTOMER REFERENCE ONLY.	APPROVALS	DATE	Amphenol Connex						
6	SOLDER TAG	BRASS	NICKEL	1	DRAWN	M.ZHANG				06/03/10	PART DESCRIPTION BNC BULKHEAD RECEPTACLE PLUG,		
5	HEX NUT	BRASS	NICKEL	1	CHECKED			PART NO. 112420					
4	LOCK WASHER	BRASS	NICKEL	1	ISSUED						DWG. NO. 112420.DWG		
3	CONTACT PIN	BRASS	GOLD	1	SHEET	1 OF 1		REV.	B	SIZE			
2	INSULATOR	PTFE & DELRIN	NATURAL	1	CAD FILE C:/CONNEX/112420.DWG			DO NOT SCALE DRAWING					
1	BODY	BRASS	NICKEL	1									
				UNLESS OTHERWISE SPECIFIED TOLERANCES FOR MILLIMETERS ARE: 0.5 - 8mm ± 0.20mm 8 - 30mm ± 0.40mm 30 - 120mm ± 0.50mm									
				UNLESS OTHERWISE SPECIFIED TOLERANCES FOR INCHES ARE: .020 - .315 ± 0.007" .315 - 1.180 ± 0.015" 1.180 - 4.724 ± 0.020"									