

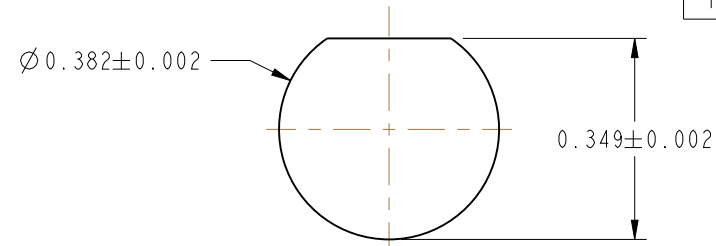
NOTES:  
 1. MATERIALS AND FINISHES:  
 BODY - BRASS, SILVER PLATING  
 CONTACT - BeCu, GOLD PLATING  
 INSULATOR - PTFE  
 GLASS SEAL : KOVAR STEEL, GOLD PLATING

2. ELECTRICAL:  
 A. IMPEDANCE: 50 OHM  
 B. DIELECTRIC WITHSTANDING VOLTAGE : 1500 VRMS

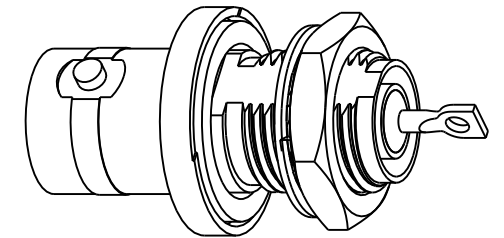
3. MECHANICAL:  
 A. DURABILITY: 500 CYCLES MIN.  
 B. TEMPERATURE RANGE : -65°C TO +165°C  
 C. SOLDER JOINT MUST WITHSTAND A LEAKAGE RATE OF  $1 \times 10^{-5}$  cc/sec OF TRACER GAS AT ATMOSPHERIC PRESSURE.

4. PACKAGING:  
 A. QUANTITY: SINGLE PACK  
 B. MARKING: BAG TO BE MARKED  
 "AMPHENOLRF, 31-4238, AND DATE CODE"

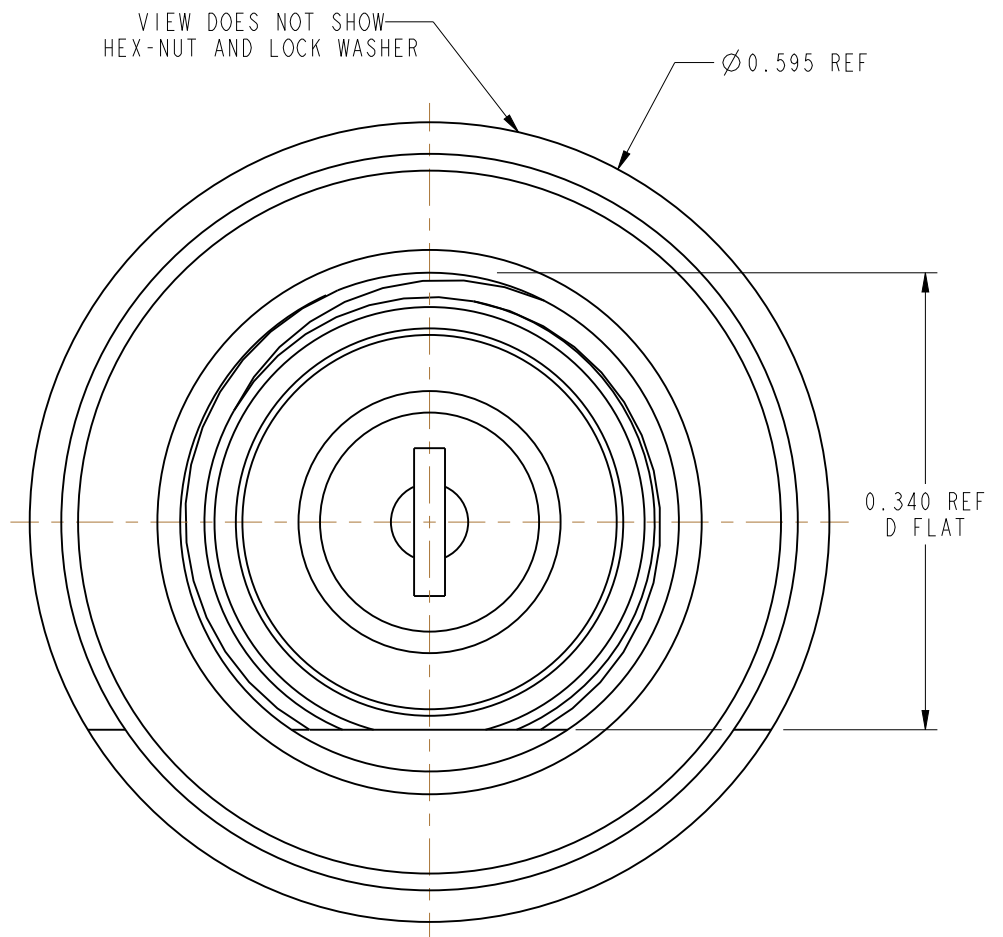
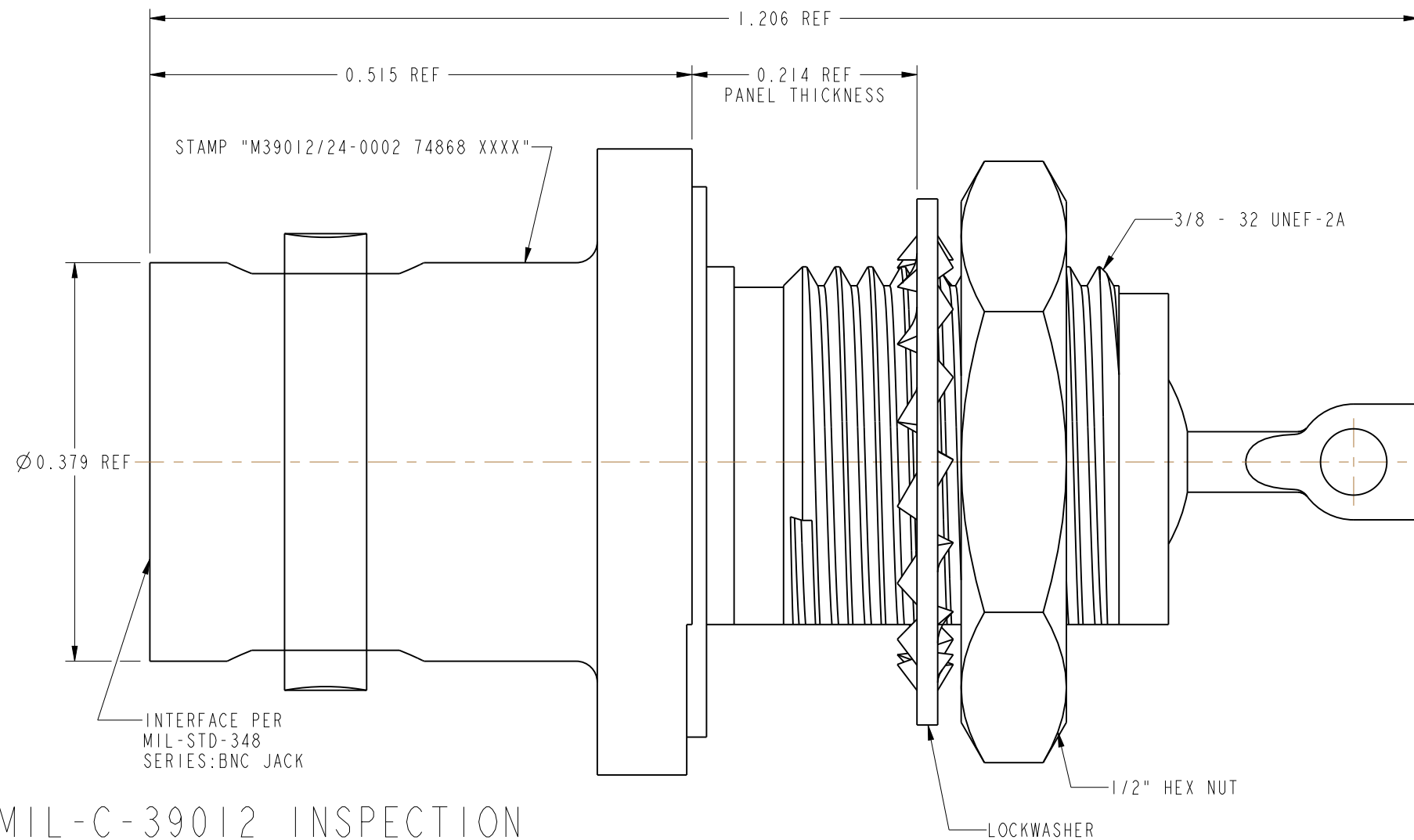
31-4238		REVISIONS			
DRAWING NO.	REV	DESCRIPTION	DATE	ECO	APPR
THIRD ANGLE PROJ.	A	OFFICIAL ENG. RELEASE TO MFG.	7/31/70	17637	
	S	SEE SHEET I	9/22/99	43115	CPM
	T	SEE SHEET I	6/29/06	46131	CPM
	U	SEE SHEET I	3/13/12	48970	RAK
	V	3/8-32UNEF-2A WAS 5/16-32UNEF-2A; 1/2" HEX NUT WAS 0.495 HEX NUT	6/7/12	49058	RAK



SCALE 3.000  
**RECOMMENDED MOUNTING HOLE DIMENSIONS**



SCALE 2.000



**CUSTOMER OUTLINE DRAWING**  
 ALL OTHER SHEETS ARE FOR INTERNAL USE ONLY

MIL-C-39012 INSPECTION

UNLESS OTHERWISE SPECIFIED, DIMENSIONS ARE IN INCHES AND TOLERANCES ARE: 2 PLACE DECIMAL ±.015 (0,381 mm) 3 PLACE DECIMAL ±.005 (0,127 mm) ANGLES ± 1°	MATERIAL SEE NOTES	DRAWN ABHAYA KISHORE	DATE 23-Feb-12	TITLE TYPE BNC FRONT MOUNT HERMETIC RECEPTACLE		Amphenol RF Danbury, CT, USA Tainan, Taiwan Shenzhen, China www.amphenolrf.com	
	REFERENCE MIL-C-39012/24-0002 EPA 802206-51 GEN# ASSYF10_BNC	ENGINEER T. AUBIN	DATE 08-Sep-99				
NOTICE - These drawings, specifications, or other data (1) are, and remain the property of Amphenol Corp. (2) must be returned upon request; and (3) are confidential and not to be disclosed to any person other than those to whom they are given by Amphenol Corp. The furnishing of these drawings, specifications, or other data by Amphenol Corp., or to any other person to anyone for any purpose is not to be regarded by implication or otherwise in any manner licensing, granting rights or permitting such holder or any other person to manufacture, use or sell any product, process or design, patented or otherwise, that may in any way be related to or disclosed by said drawings, specifications, or other data.	CAD FILE	CODE ID 74868	DWG SIZE B	DRAWING NO. 31-4238	SCALE: 7.0:1	SHEET 2 OF 2	REV V