

42197-2 ✓ ACTIVE

FASTON | FASTON 205

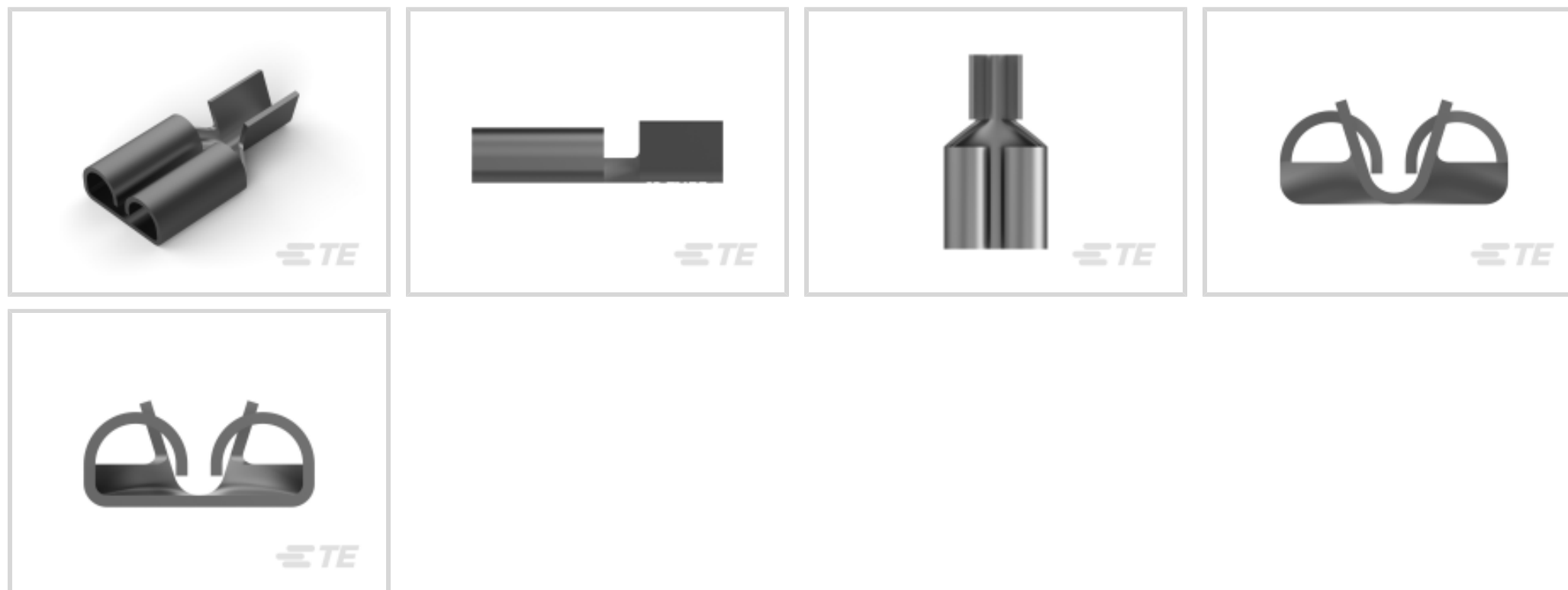
TE Internal #: 42197-2

FASTON 205, Quick Disconnects, Receptacle, 22 – 18AWG Wire Size, .32 – .82mm² Wire Size, Quick Disconnect Mating Tab Width 5.21 mm [.205 in]

[View on TE.com >](#)



Terminals & Splices > Quick Disconnects



Terminal & Splice Type: **Receptacle**

Wire Size: .32 – .82 mm²

Quick Disconnect Mating Tab Width: 5.21 mm [.205 in]

Quick Disconnect Mating Tab Thickness: .51 mm [.02 in]

Features

Product Type Features

Wire Stop	No
Wire/Cable Type	Regular Wire
Terminates To	Wire & Cable
Quick Disconnect Insertion Force	Normal
Sealable	No
Insulated	No

Configuration Features

Connection Capacity	Single
---------------------	--------

Body Features

Fully Insulated	No
Quick Disconnect Plating Material	Tin

Contact Features

Terminal Type	Receptacle
Terminal & Splice Type	Receptacle

Quick Disconnect Terminal Orientation	Straight
Contact Base Material	Brass
Crimp Type	F-Crimp
Barrel Type	Open

Mechanical Attachment

Mating Retention Type	Dimple
Wire Insulation Support	Without

Dimensions

Overall Length	11.88 mm[.468 in]
Receptacle Terminal Stock Thickness	.33 mm[.013 in]
Wire Size	.32 – .82 mm ²
Quick Disconnect Mating Tab Width	5.21 mm[.205 in]
Quick Disconnect Mating Tab Thickness	.51 mm[.02 in]

Usage Conditions

Insulation Requirement	Uninsulated
Operating Temperature Range	-40 – 110 °C[-40 – 230 °F]

Industry Standards

UL Rating	Listed
CSA Certified	Yes

Packaging Features

Packaging Quantity	20000
Quick Disconnect Packaging Method	Strip/Reel

Other

Line	Premier
Comment	No slots.

Product Compliance

[For compliance documentation, visit the product page on TE.com>](#)

EU RoHS Directive 2011/65/EU	Compliant
EU ELV Directive 2000/53/EC	Compliant
China RoHS 2 Directive MIIT Order No 32, 2016	No Restricted Materials Above Threshold
EU REACH Regulation (EC) No. 1907/2006	



Current ECHA Candidate List: JAN 2021
(211)
Candidate List Declared Against: JAN 2021
(211)
Does not contain REACH SVHC

Halogen Content
Low Halogen - Br, Cl, F, I < 900 ppm per homogenous material. Also BFR/CFR/PVC Free

Solder Process Capability
Not applicable for solder process capability

Product Compliance Disclaimer

This information is provided based on reasonable inquiry of our suppliers and represents our current actual knowledge based on the information they provided. This information is subject to change. The part numbers that TE has identified as EU RoHS compliant have a maximum concentration of 0.1% by weight in homogenous materials for lead, hexavalent chromium, mercury, PBB, PBDE, DBP, BBP, DEHP, DIBP, and 0.01% for cadmium, or qualify for an exemption to these limits as defined in the Annexes of Directive 2011/65/EU (RoHS2). Finished electrical and electronic equipment products will be CE marked as required by Directive 2011/65/EU. Components may not be CE marked. Additionally, the part numbers that TE has identified as EU ELV compliant have a maximum concentration of 0.1% by weight in homogenous materials for lead, hexavalent chromium, and mercury, and 0.01% for cadmium, or qualify for an exemption to these limits as defined in the Annexes of Directive 2000/53/EC (ELV). Regarding the REACH Regulation, the information TE provides on SVHC in articles for this part number is based on the latest European Chemicals Agency (ECHA) 'Guidance on requirements for substances in articles' posted at this URL: <https://echa.europa.eu/guidance-documents/guidance-on-reach>

Compatible Parts

TE Part # 1217149-1
187 FASTON,REC.,18-14 AWG,TPBR

TE Part # 42373-2
FASTON 187 TERMINAL REC 20-16 AWG TPBR

TE Part # 170181-2
205 FASTON,REC.,22-18 AWG,BR

TE Part # 42299-2
FASTON 205 TERMINAL REC 22-18 AWG TPBR

TE Part # 42198-1
FASTON 205 TERMINAL REC 22-18 AWG BR

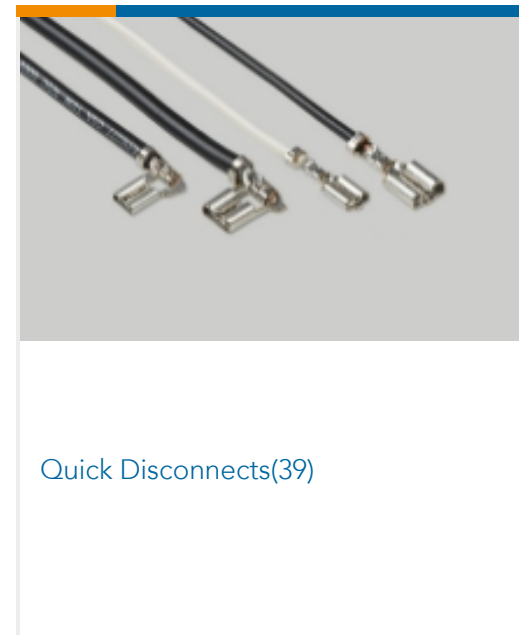
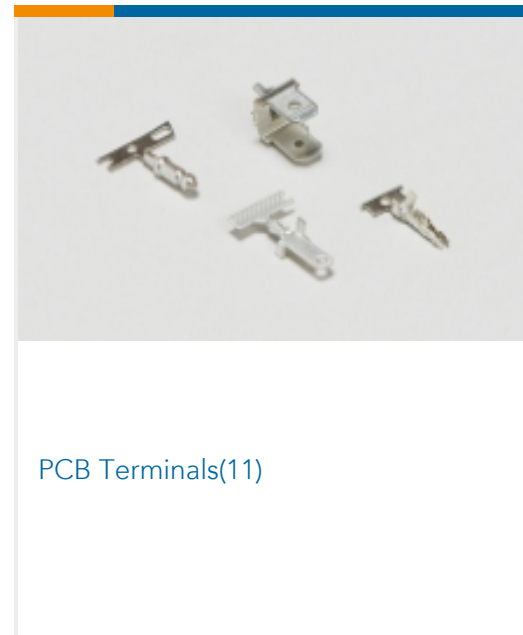
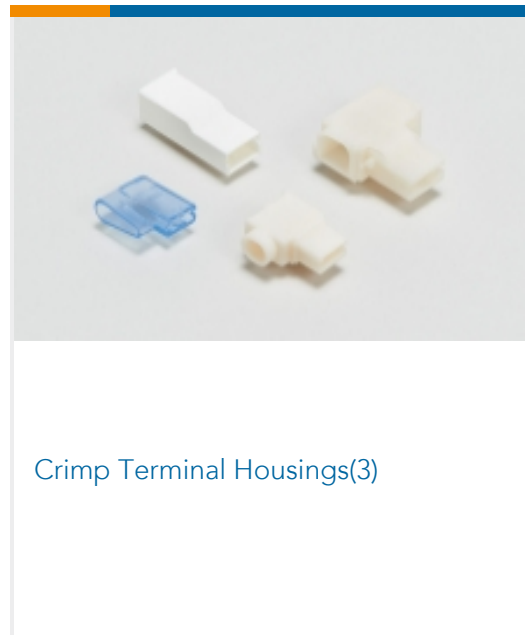
TE Part # 42452-2
FASTON 187 TERMINAL REC 20-16 TPBR

TE Part # 42198-2
FASTON 205 TERMINAL REC 22-18 AWG TPBR

TE Part # 42781-2
.205 FAST REC 18-14 TPBR



Also in the Series | **FASTON 205**



Customers Also Bought



Documents

Product Drawings

FASTON 205 TERMINAL REC 22-18 AWG TPBR

English

CAD Files

3D PDF

3D

Customer View Model

[ENG_CVM_CVM_42197-2_AS.2d_dxf.zip](#)

English

Customer View Model

[ENG_CVM_CVM_42197-2_AS.3d_igs.zip](#)

English

Customer View Model

[ENG_CVM_CVM_42197-2_AS.3d_stp.zip](#)

English

By downloading the CAD file I accept and agree to the [Terms and Conditions](#) of use.

Datasheets & Catalog Pages

FASTON Tabs

English

Product Specifications

Application Specification

English

Wire Preparation And Crimp Inspection Guide

English

Application Specification

English

Agency Approvals

UL Report

English