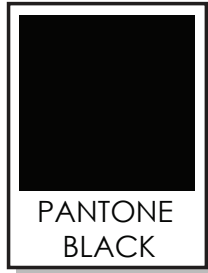
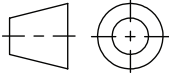



# DO NOT PRINT THIS PAGE

REVISIONS			
REV.	DESCRIPTION	ECN	DATE
A	RELEASE TO PRODUCTION	E000354	2015-08-14

**REFERENCE ONLY, PLEASE USE AI / EPS FOR PRINTING**

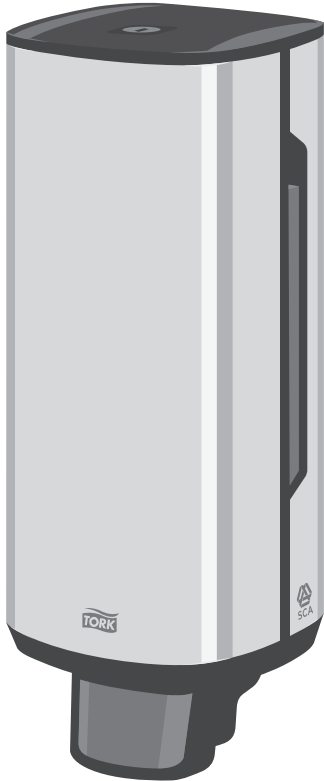


PROPRIETARY AND CONFIDENTIAL THE INFORMATION CONTAINED IN THIS DRAWING IS THE SOLE PROPERTY OF SCA GLOBAL HYGIENE CATEGORY. ANY REPRODUCTION IN PART OR AS A WHOLE WITHOUT WRITTEN PERMISSION IS PROHIBITED.		PROJECTION FIRST ANGLE 	 <b>SCA</b> <i>Care of Life</i>	
DRAWN BY <b>ALTEN</b>		DATE <b>2015-02-25</b>	DESCRIPTION <b>ARTWORK, INSTRUCTION MANUAL EU</b>	
REFER TO ECN FOR APPROVALS AND DATES		UNLESS OTHERWISE SPECIFIED DIMENSIONS ARE IN MILLIMETERS [INCHES] AND TOLERANCES FOR LINEAR: $.X = \pm .79$ [.031] ANGULAR: $\pm 2^\circ$	PREVIOUS PART NUMBER <b>N/A</b>	STATE <b>RELEASED</b>
SIZE <b>N/A</b>	SCALE <b>1:1</b>	SHEET <b>N/A</b>	DWG NO. <b>0012944</b>	REVISION <b>A</b>

# Tork Foam Soap Dispenser

S4

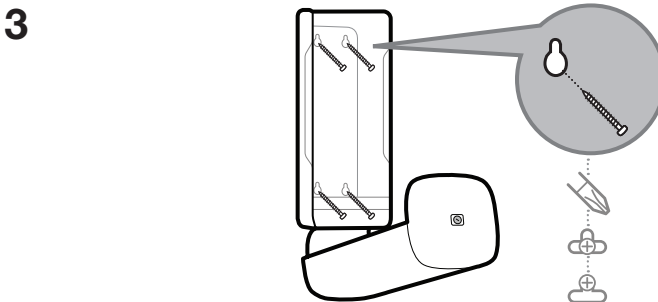
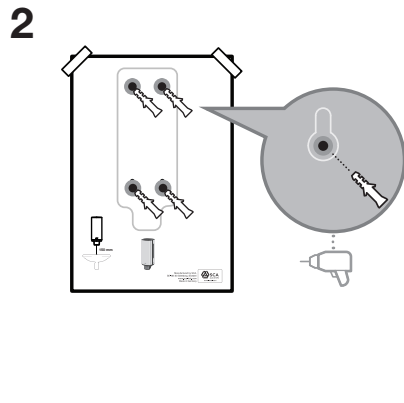
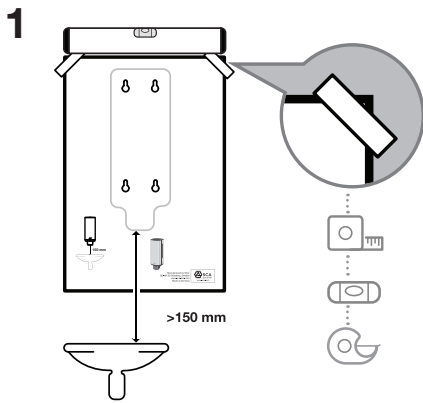
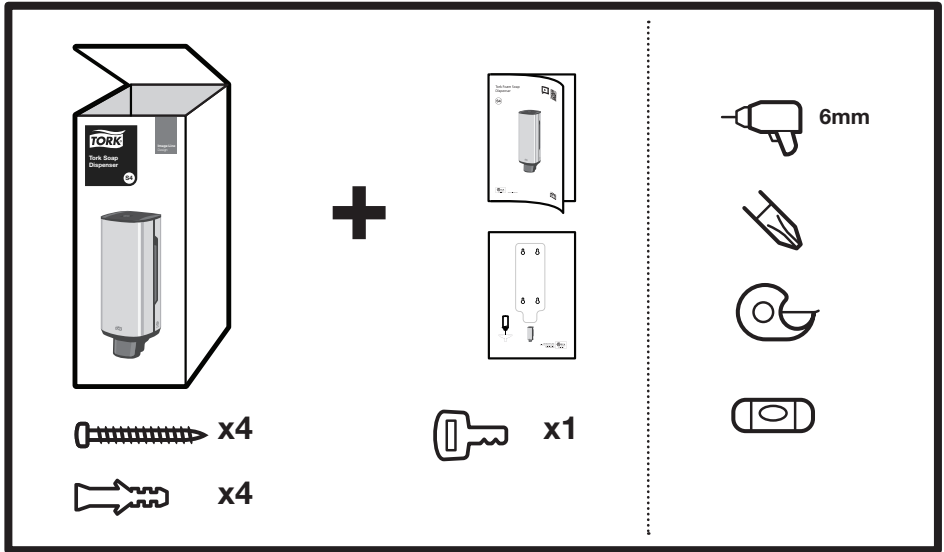
Image  
Design



[www.sca-tork.com](http://www.sca-tork.com)



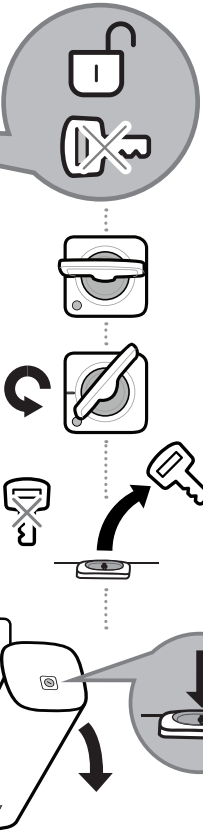
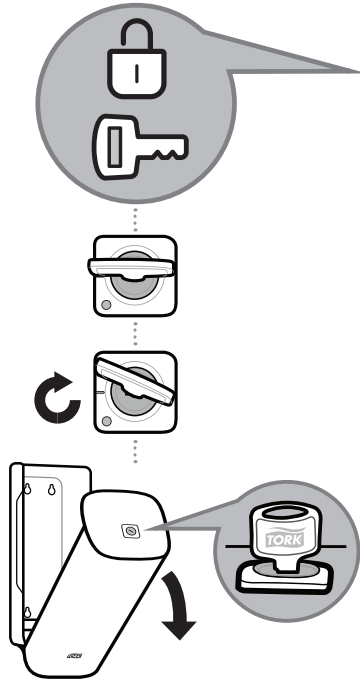
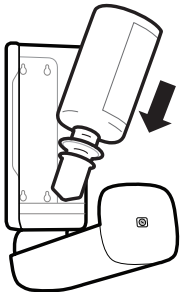
# Tork Foam Soap Dispenser



4



5



## Disposal

- Damaged or malfunctioning product should be disposed of immediately to avoid potential of injury
- Products should be disposed of in accordance with applicable regulations

## Cleaning instructions

- Clean dispenser with mild detergent and soft cloth

European community design registration RCD 002601922



Manufactured by SCA  
SE-405 03 Göteborg, Sweden  
[www.sca-tork.com](http://www.sca-tork.com)  
Made in Poland