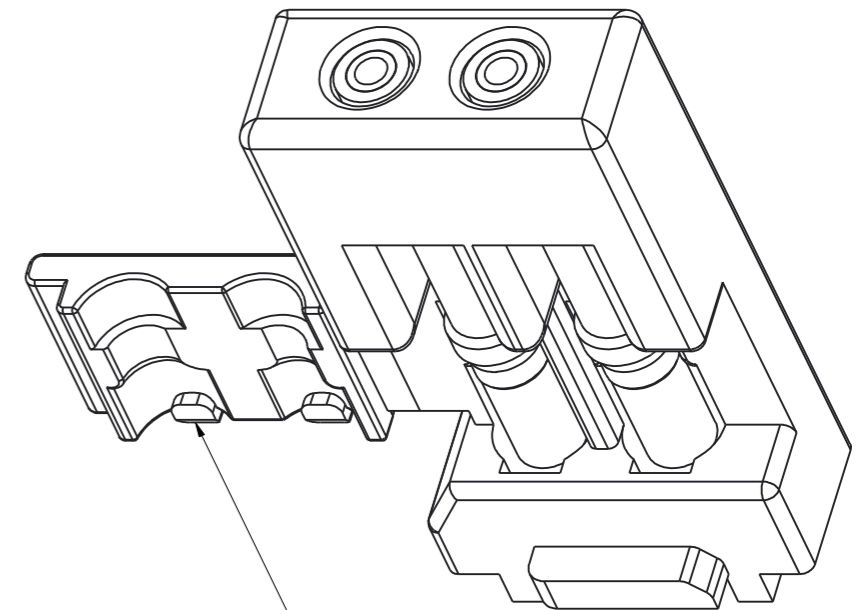
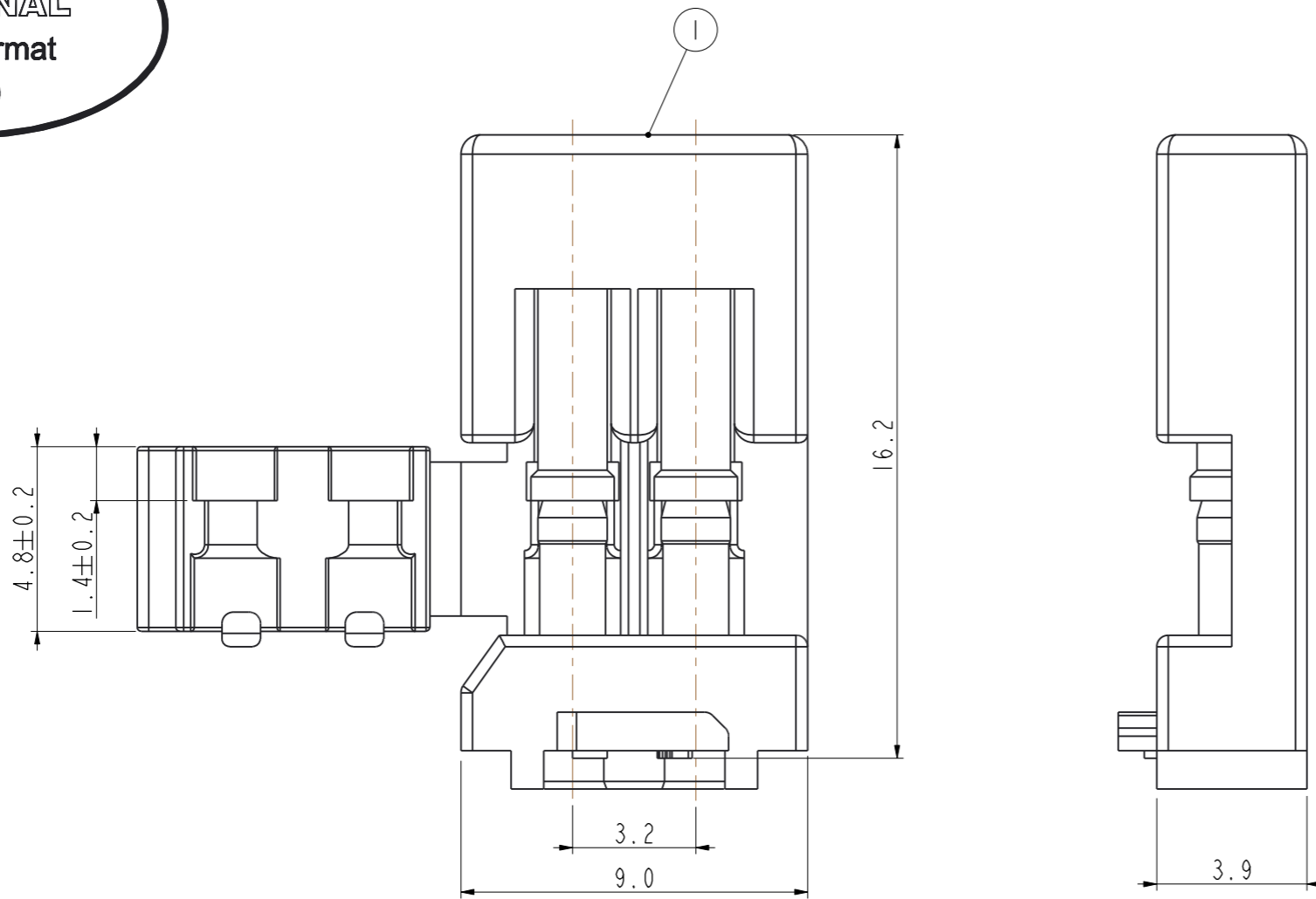


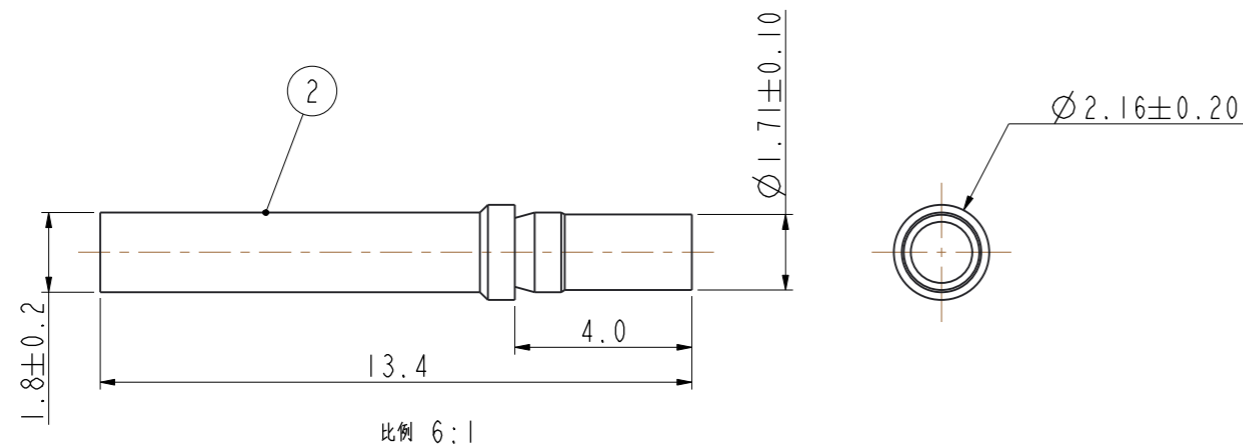
REV	ECN	DESCRIPTION	DATE	MODIFIED
A		FIRST-RELEASE	2017.6.30	T.H

Amphenol PCDSZ  
ORIGINAL  
PDF Format  
R&D



将插针压好线缆装入塑胶件后将此活动盖扣上。

ITEM	NAME	PART NUMBER	QTY
1	HOUSING	C220006502	1
2	SIGNAL PIN	L17D3D475T75	2



- NOTE:
1. MATERIAL: HOUSING: PA66, COLOR: BLACK
  2. SIGNAL PIN: BRASS
  3. SIGNAL PIN CABLE RANGE: 0.5 TO 1.0MM<sup>2</sup>
  4. THE HOUSING AND TERMINAL WILL BE SHIPPED IN LOOSE.
  5. ROHS COMPLIANT.

MSD-HVIL-2S

MSD-HVIL-2S

DIMENSIONS	TOLERANCES	PROJECTION	TITLE		
ANSI Y14.5M UNITS: MM Pro/E FILE	.X ±0.5 .XX ±0.10 ANGLES ±1.0°		Amphenol Pcd Shenzhen ENGR TOMMY.H 2017.6.30		
ORIGINAL	THIS DOCUMENT CONTAINS PROPRIETARY INFORMATION WHICH IS THE CONFIDENTIAL PROPERTY OF AMPHENOL PCD SHENZHEN	CHKD <i>Senbas</i> APPD			
			CODE: 58982	SCALE:	SHEET 1 OF 1