

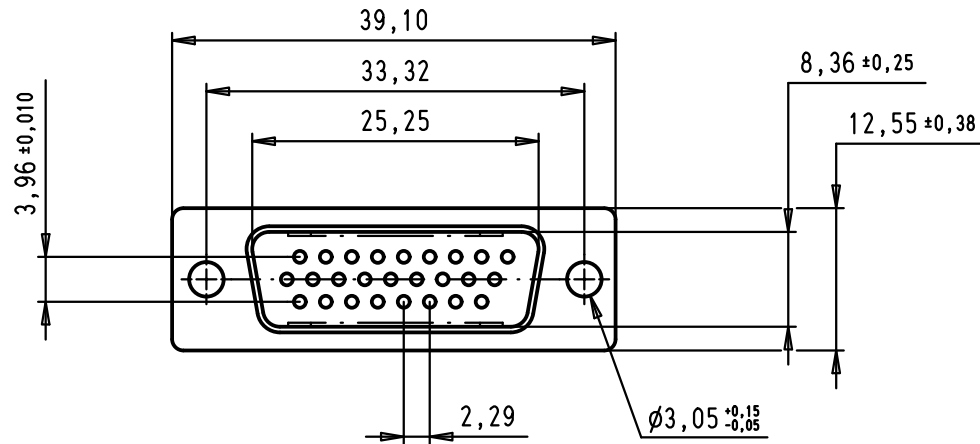
5

4

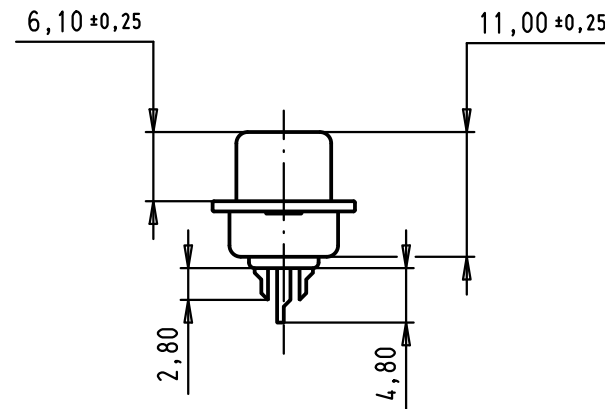
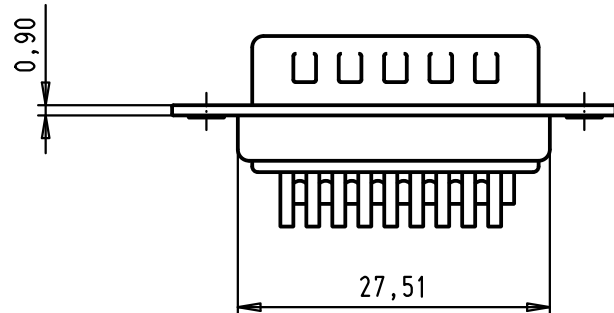
3

2



1



Entry hole type : stamped contact



A

				Det.	Name	 All Dim. in mm Orig. Size DIN A 4	D-Sub, High Density, black, male, straight, 26 poles, solder pins and solder cups, tin plated shell with dimples and holes	Maßstab/ Scale 1,5:1
				Insp.				
				Stand.				
09 56 200 5615.050	Golg plating: 0,76 µm	33938	14/02/07	PK	HARTING EURL F-95972 Paris		TB 09 56 200 5615	Blatt/ Page 1 / 1
Part number	Index designation	Mod.	Det.	Name			Sub.	