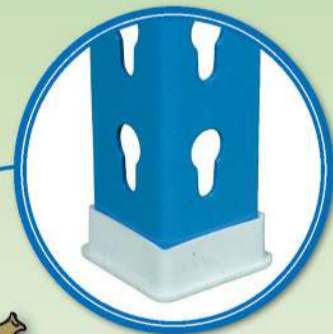


180 x 90 x 30 cm*

70.9" x 35.4" x 11.8"

SIMONCLICK 5/300

5 Años Garantía
Years Guarantee
Jahre Garantie
Anos de Garantia
SIMONRACK



*MEDIDAS EN USO: 1781 x 911 x 410 mm
USED MEASUREMENTS: 70.12" x 35.87" x 16.14"



ESTANTERIAS SIMON S.L. B.50.556.463
PG. ALFAMEN C/ POLIGONO C, Nº3
ALFAMEN (ZARAGOZA)

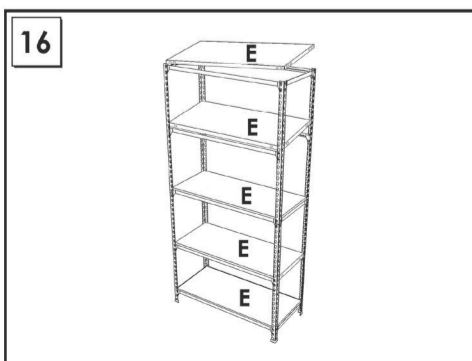
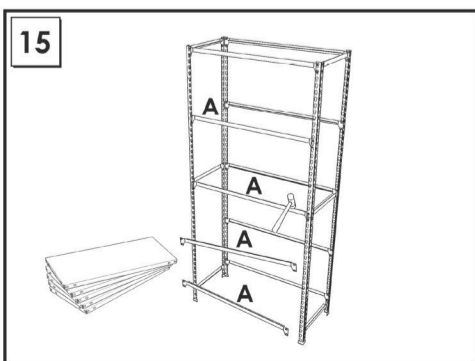
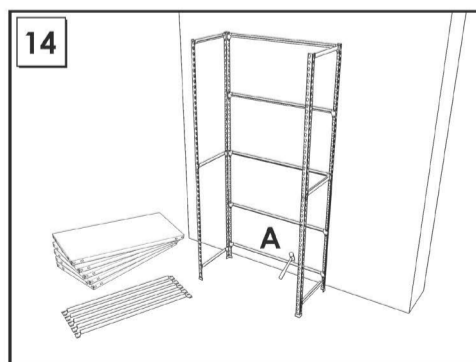
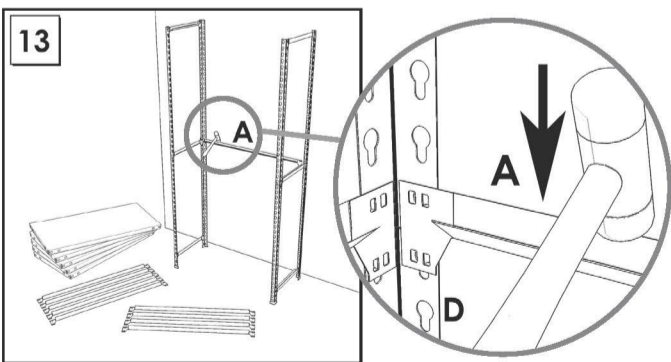
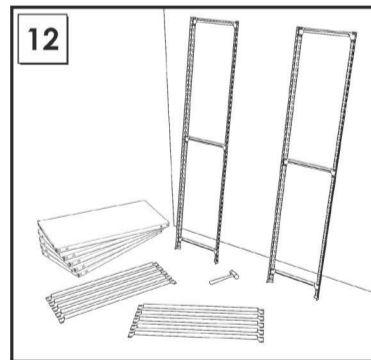
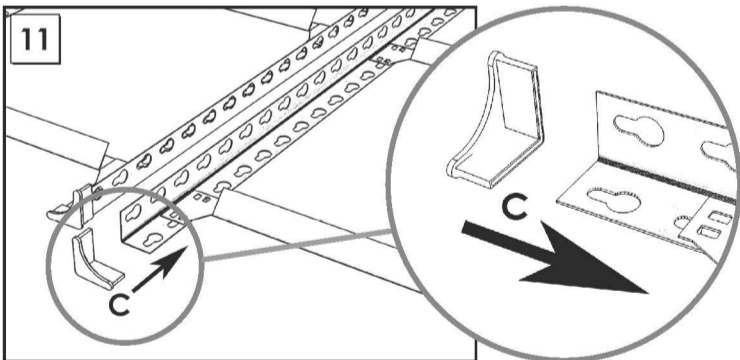
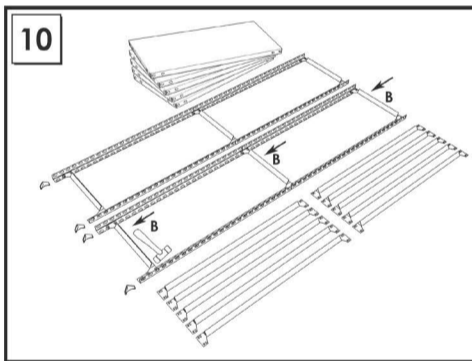
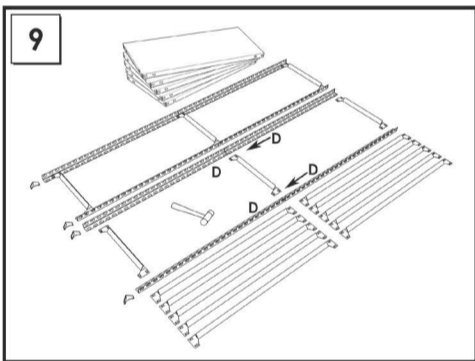
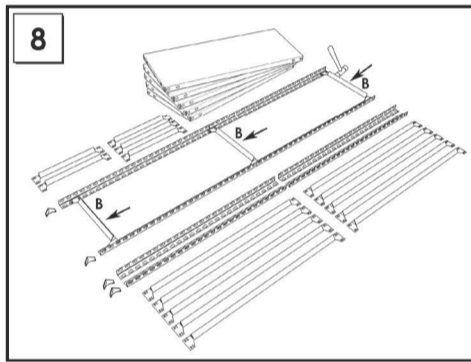
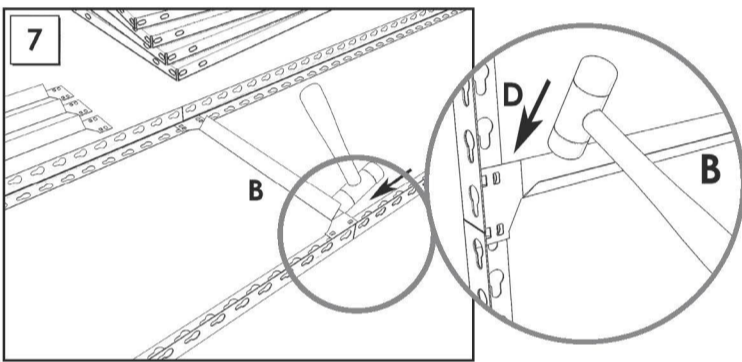
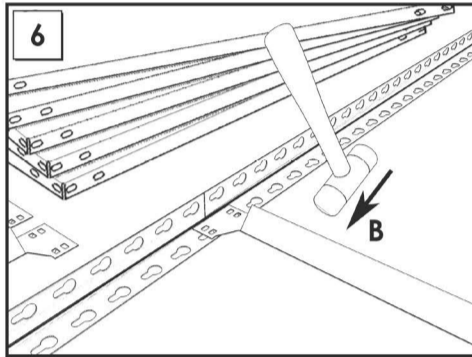
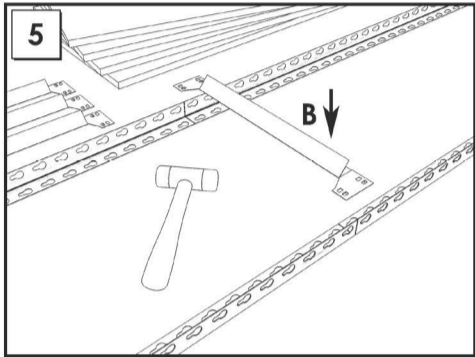
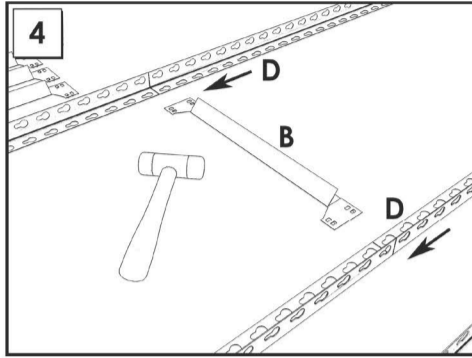
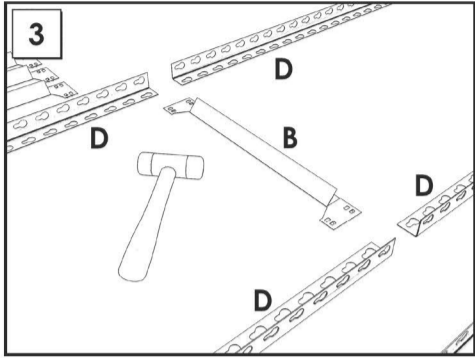
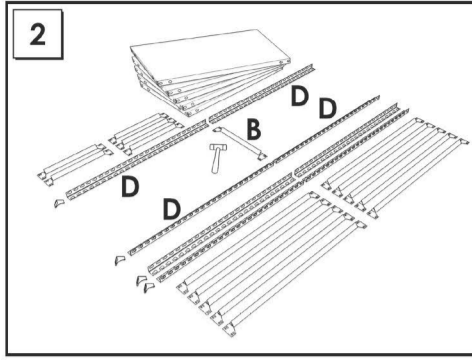
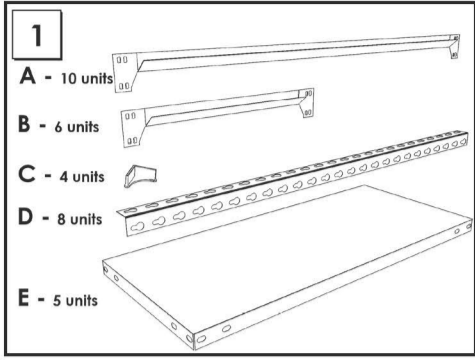


www.simonrack.com

Simon Rack
SINCE 1964 - MANUFACTURER



INSTRUCTIONS



SIMONCLASSIC

BOLTS SYSTEM

Up to: **150 Kg (331 lb)**
Kg/Shelf
Uniformly Distributed Load



SIMONCLICK

NO BOLTS SYSTEM

Up to: **400 Kg (882 lb)**
Kg/Shelf
Uniformly Distributed Load



SIMONOFFICE

NO BOLTS SYSTEM

Up to: **275 Kg (606 lb)**
Kg/Shelf
Uniformly Distributed Load



SIMONTALLER

NO BOLTS SYSTEM

Up to: **700 Kg (1543 lb)**
Kg/Shelf
Uniformly Distributed Load



**BANCOS DE TRABAJO
WORK BENCHES**

Up to: **800 Kg (1764 lb)**
Kg/Shelf
Uniformly Distributed Load



SIMONHOME

NO BOLTS SYSTEM

Up to: **150 Kg (331 lb)**
Kg/Shelf
Uniformly Distributed Load



**TAQUILLAS
LOCKER**



SIMONTITÁN

NO BOLTS SYSTEM

Up to: **900 Kg (1984 lb)**
Kg/Shelf
Uniformly Distributed Load



SIMONINOX

NO BOLTS SYSTEM

Up to: **900 Kg (1984 lb)**
Kg/Shelf
Uniformly Distributed Load



SIMONPALET

NO BOLTS SYSTEM

Up to: **4500 Kg (9921 lb)**
Kg/Shelf
Uniformly Distributed Load



SIMONLEVER

NO BOLTS SYSTEM

Up to: **4500 Kg (9921 lb)**
Kg/Shelf
Uniformly Distributed Load



**ALTILLOS Y PASILLOS ELEVADOS
PLATFORMS AND MEZZANINES**

