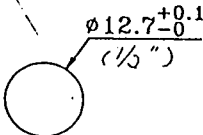

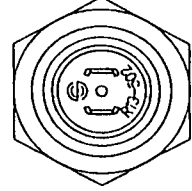
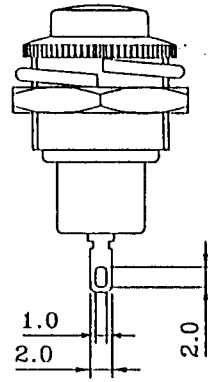
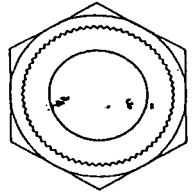
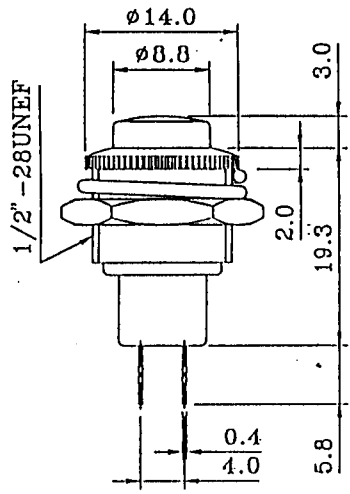


## Push switches

Order code	Manufacturer code	Description
78-1570	n/a	LRG BLACK PUSH TO BREAK SWITCH

Push switches	Page 1 of 2
The enclosed information is believed to be correct, Information may change 'without notice' due to product improvement. Users should ensure that the product is suitable for their use. E. & O. E.	Revision A 04/07/2003

規格 Rating	3A 125V, 1.5A 250V AC	裝配孔 Mount Hole	線路圖 Circuit Structure
接觸電阻 Contact R	50m ohm Max.		
絕緣電阻 Insulation R	DC 500V 100M ohm Min.		
耐電壓 Dielectric Strength	AC 1000V 1 minute		
動作特性 Circuit	2P SPST ON-(OFF)		



發行  
85.5.21  
工程課