

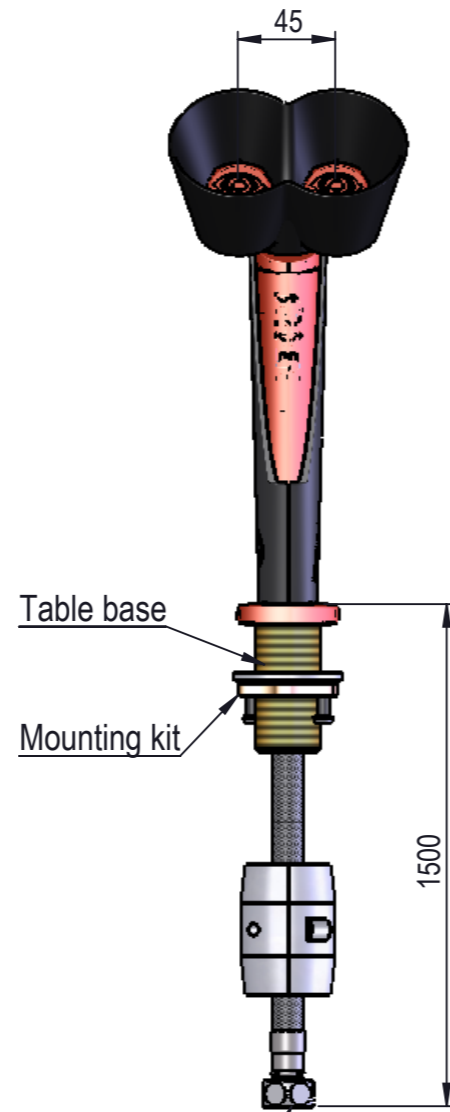
Area of Application:
 Table
 Water
 Min. working pressure 1 bar
 Max. working pressure 10 bar
 Min. temperature 5°C
 Max. temperature 80°C

Details:
 Check Valve
 flowfix 14 L/min
 45° Duo Cup

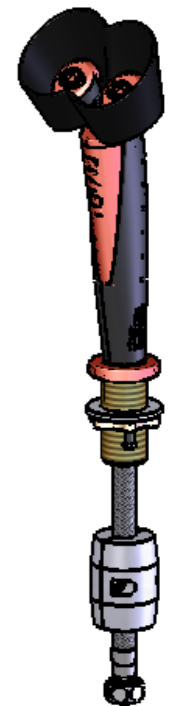
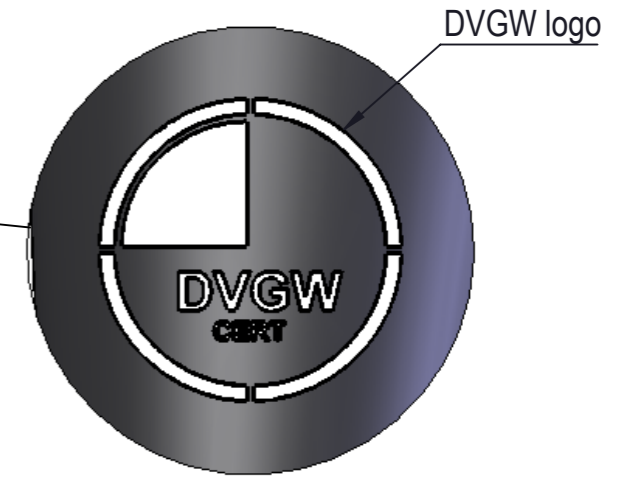
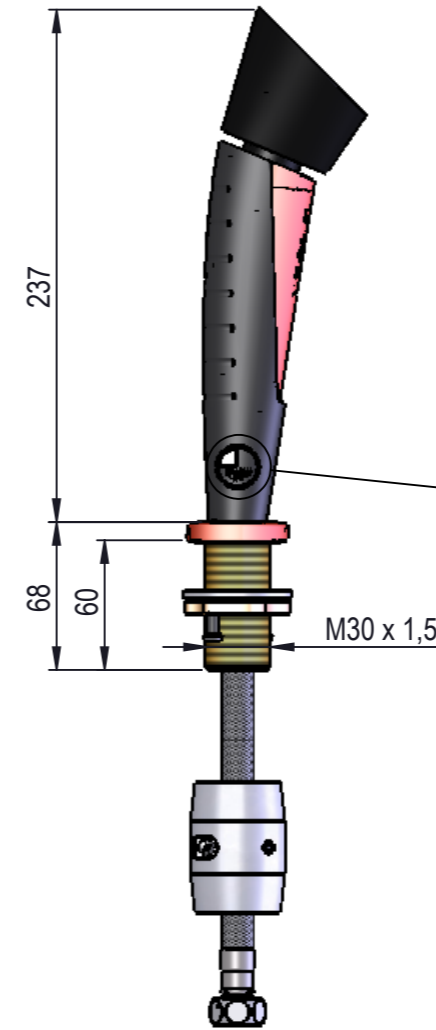
Materials in media contact:
 PA
 SS, AISI 316
 Rubber, EPDM
 POM
 TPE
 Materials not in media contact: PP, PA, SEBS

Mounting:
 M30x1,5mm

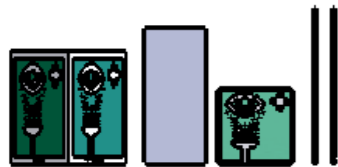
Inlet / outlet connection:
 Union Nut G1/2"
 Easy to Clean Spray Head(s)



ISO 228/1- G-1/2 Union nut
 included gasket



17001970
 Signs - instructions



Description: BROEN Emerg. Hand Eye Shower, Table, ., 45° Duo Cup, .

						Media: Water
						Comments:
						Drawing type: Customer drawing
						Weight:
Rev.	Pos.	Date	TM No.	Design by	Drawn by:	Change:
						Designed by: JAK
						Drawn by: MWA
						Released on TM No.:
						Date: 26-09-2014
						Format: A3
						Drawing No.: 27100098105021

BROEN

This drawing is our property and cannot be given to a third party, copied or otherwise used without our permission. BROEN A/S.
 Revision 14-01-2011