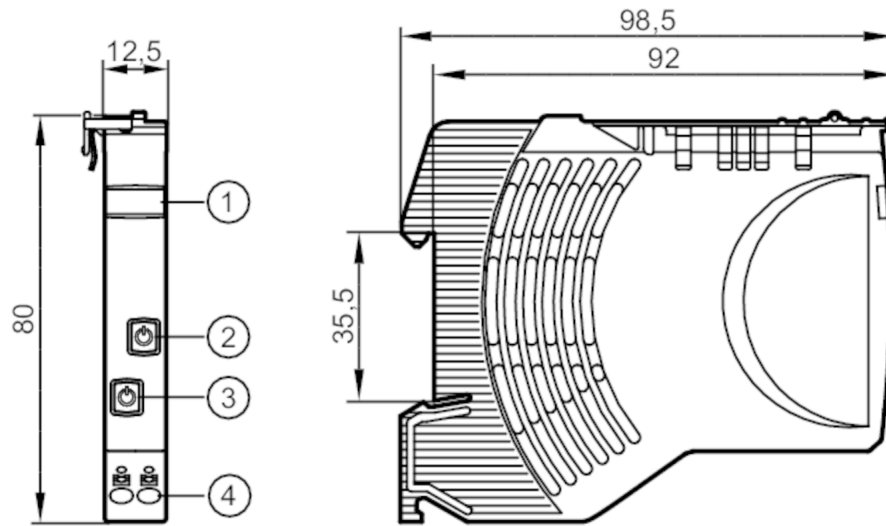


# DF1214



## Electronic circuit breaker

Fuse/Standard/24VDC/2x4A



- 1 panel for labelling
- 2 pushbutton on / off / reset status LED 2
- 3 pushbutton on / off / reset status LED 1
- 4 push-in terminals Outputs 1/2



### Electrical data

Operating voltage	[V]	to SELV/PELV; "supply class 2" to cURus
Nominal voltage DC	[V]	24
Input voltage DC	[V]	19.2...30
Protection class		III
Mains buffering time (nominal voltage 24 V DC)	[ms]	10
Closed-circuit current	[mA]	8
Number of channels		2
Nominal current (Fail Safe Element)	[A]	4

### Outputs

Load capacitance, total	[mF]	15
-------------------------	------	----

### Operating conditions

Ambient temperature	[°C]	-25...60
Storage temperature	[°C]	-40...70
Protection		IP 20; (on the front)
Degree of soiling		2

### Tests / approvals

EMC	EN 61000-6-3	radiation of interference
	EN 61000-6-2	immunity

### Mechanical data

Weight	[g]	69
Dimensions	[mm]	80 x 12.5 x 98.5

# DF1214



## Electronic circuit breaker

Fuse/Standard/24VDC/2x4A

### Displays / operating elements

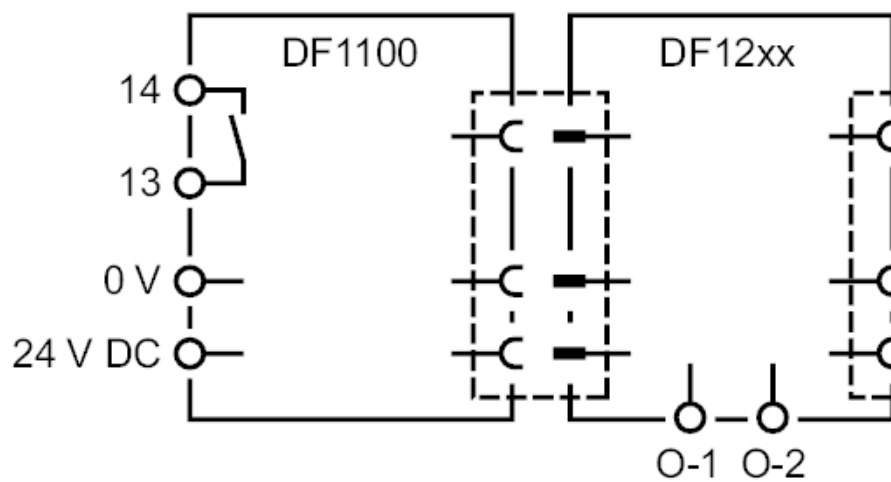
Display	status	2 x LED, red / green / orange
Operating elements	2 x	pushbutton

### Electrical connection

push-in terminals:

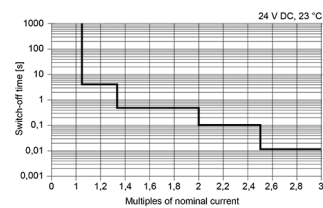
contact lever/strip:

### Connection



### Diagrams and graphs

output characteristics



time-current characteristics