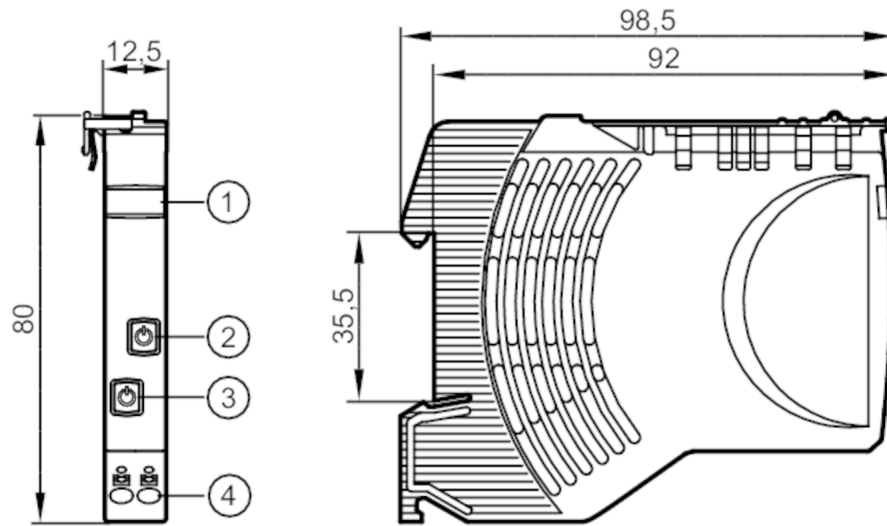


DF2220



Circuit protection module for an uninterrupted power supply

Fuse/IO-Link/24VDC/2x1-10A



- 1 panel for labelling
- 2 pushbutton on / off / reset status LED 2
- 3 pushbutton on / off / reset status LED 1
- 4 push-in terminals Outputs 1/2



Application		
Installation	rail TH35; according to EN 60715	
Electrical data		
Operating voltage [V]	to SELV/PELV	
Nominal voltage DC [V]	24	
Input voltage DC [V]	19.2...30	
Protection class	III	
Reverse polarity protection	yes	
Mains buffering time (nominal voltage 24 V DC) [ms]	10	
Closed-circuit current [mA]	12	
Number of channels	2	
Nominal current (Fail Safe Element) [A]	10	
Outputs		
Load capacitance, total [mF]	20	
Operating conditions		
Ambient temperature [°C]	-25...60	
Storage temperature [°C]	-40...70	
Protection	IP 20; (on the front)	
Degree of soiling	2	
Tests / approvals		
EMC	EN 61000-6-3	radiation of interference
	EN 61000-6-2	immunity

DF2220



Circuit protection module for an uninterrupted power supply

Fuse/IO-Link/24VDC/2x1-10A

Mechanical data

Weight	[g]	74.4
Dimensions	[mm]	80 x 12.5 x 98

Displays / operating elements

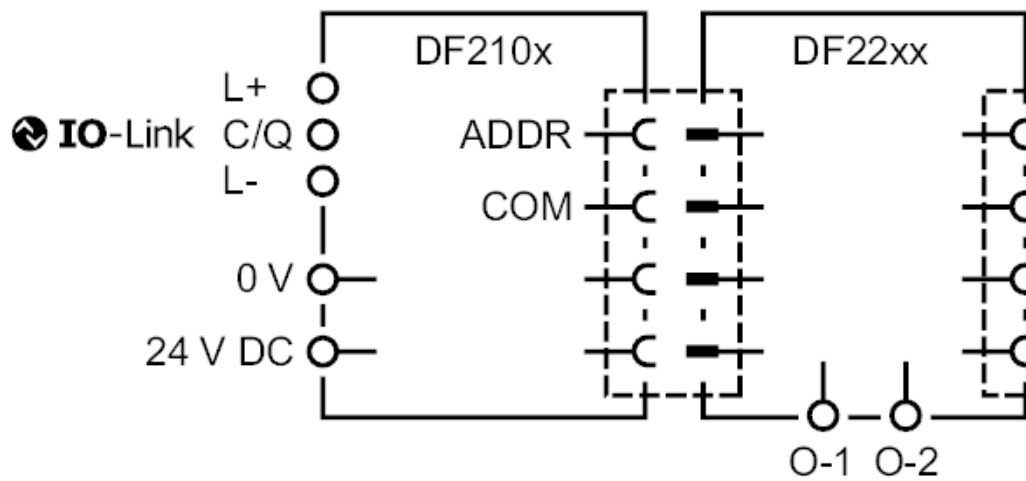
Display	status	2 x LED, red / green / orange
Operating elements	2 x	pushbutton

Electrical connection

push-in terminals:

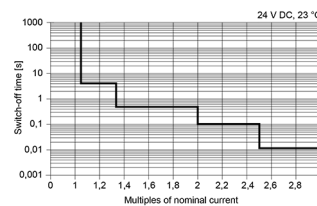
contact lever/strip:

Connection



Diagrams and graphs

output characteristics



time-current characteristics