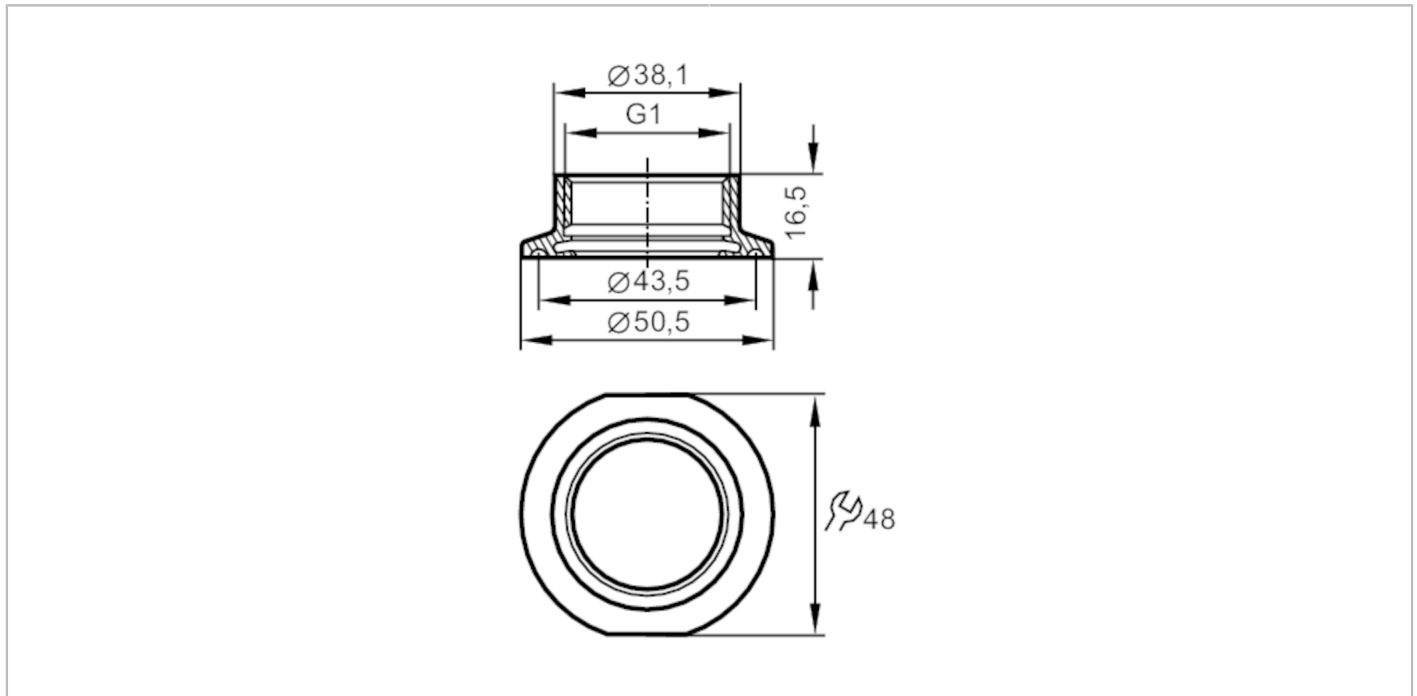


E33201



Process adapter Tri-Clamp

ADAPT IFM-CLAMP ISO2852 1-1.5"



CRN EC 1935/2004 EHEDG Tested 

Application	
Pressure rating	[bar] 16
Tests / approvals	
Pressure Equipment Directive	A possible classification to PED depends on the application and has to be carried out by the user / operator.
Safety instructions	The compatibility between medium and product material has to be checked in all applications.
Mechanical data	
Weight	[g] 100
Materials	stainless steel (1.4435 / 316L)
Sensor connection	G 1 external thread Aseptoflex Vario
Process connection	Clamp DN25...DN40 (1...1,5") DIN 32676 (ISO 2852)
Surface characteristics Ra/Rz of the wetted parts	0.4 / 4
Sealing	Gasket
Hygienic equipment class to DIN 11866	H4
Accessories	
Accessories (supplied)	O-rings: 1 x 24 x 2 (EPDM), FDA compliant
Accessories (optional)	O-ring: 1 x 24 x 2 (FPM), FDA compliant, E30123 sealing ring: 1 x PEEK, FDA compliant, E30124
Remarks	
Pack quantity	1 pcs.