

MVP-METALL, 8XM12, 5POLE, PRE-WIRED CABLE

5.0m PUR 16x0,34+5x0,75, UL/CSA

8-way, 5-pole, DIAGNOSTIC

PUR (UL/CSA), halogen free

5.0 m

Operating current: 2 A per port

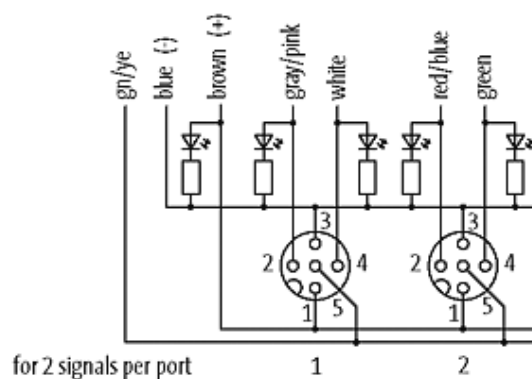
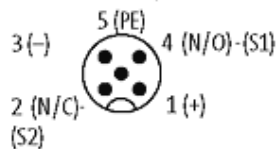
Further cable lengths on request.

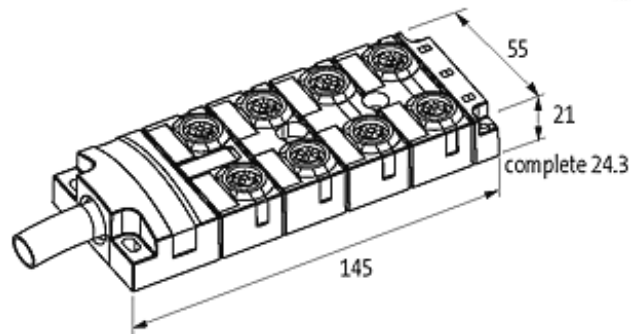
[Link to Product](#)

Illustration



M12-Females 5-pole





Product may differ from Image

Technical Data

Operating voltage	24 V DC (EN 61131-2), potential separation 0 V for left/right side
Current consumption	max. 35 mA
Inrush capacity	max. 1470 μ F
LED display	LED (green): P1 and P2; LED (red): ERROR for optical diagnostics
LED display per port	LED (yellow): contact 4 and 2; 2 \times LED (red): for failure
Diagnostic output	active high, max. load 25 mA, wire (brown 2)
Unit protection	pulse switching
Required power supply with max. ports	max. 20 A
Total current	max. 10 A
Housing	Zinc die casting, matte nickel plated
Operating current (contact 3)	max. 2 A (shutoff 2.3...2.7 A)
Protection	IP65, IP67, IP68 inserted and tightened (EN 60529)
Locking of ports	Screw thread M12 \times 1 mm

Cables

Cable number	403
No./diameter of wires	16 \times 0.34 + 5 \times 0.75 mm ²
Wire isolation	TPE (grpk, wh, rdbl, gn, whgn, ye, brgn, gr, whye, pk, yebr, rd, whgr, bk, grbr, vi, br, bl, gnye)
C-track properties	5 Mio.
Jacket Color	gray
Shore hardness outer jacket	85 \pm 5A
Material (jacket)	PUR (UL/CSA)
Outer diameter	approx. 11.5 mm
Bend radius (fixed)	7.5 \times outer \varnothing
Bend radius (moving)	10 \times outer \varnothing
Temperature range (fixed)	-40...+80 $^{\circ}$ C
Temperature range (mobile)	-5...+80 $^{\circ}$ C

General data

Temperature range	-20...+60 $^{\circ}$ C
Dimensions H \times W \times D	145 \times 55 \times 21 mm

Contact layout

Contact 1	(+)
Contact 2	(NC)/(S2)
Contact 3	(-)
Contact 4	(NO)/(S1)
Contact 5	(Earth)
LED display	LED (green): Power / LED (yellow): (S1/S2) / LED (red): Failure

Description

Functional description

All M12 ports are current monitored regarding 0 V total current (contact 3), and are switched off in case of overload or short-circuit (self-resetting). Supply voltage remains the same. In case of a fault the DIAGNOSTIC signal "active high" to the PLC (wi

Commercial data

country of origin	CZ
customs tariff number	85444290
minimum order quantity	1