



Model Number

IQC33-50 25pcs

Data carrier

Features

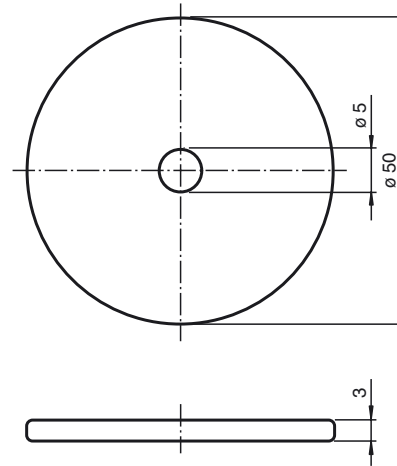
- Operating frequency 13.56 MHz
- Conforms to ISO 15693
- 64 bit Fixcode
- 2000 bytes memory available
- Unlimited writeable
- Degree of protection IP68
- Readable and writable from both sides
- Mounting holes for simple installation

Accessories

ICZ-MH50-10-T10

Spacers for code/data carrier

Dimensions



Technical data

General specifications

| | |
|---------------------|-----------|
| Operating frequency | 13.56 MHz |
| Transfer rate | 26 kBit/s |

Memory

| | |
|-----------------------|--|
| Chip Type | FRAM MB89R118 (Fujitsu) |
| Type/Size | FRAM 16 kBit , 8 bytes/block configuration, fixcode 64 Bit |
| Read cycles | unlimited |
| Write cycles | unlimited |
| Data retention period | 10 years |

Ambient conditions

| | |
|---------------------|--|
| Ambient temperature | -40 ... 85 °C (-40 ... 185 °F) |
| Storage temperature | -40 ... 85 °C (-40 ... 185 °F) 160 °C for 50 hours 220 °C for 30 minutes |

Mechanical specifications

| | |
|----------------------|--------------------------|
| Degree of protection | IP68 |
| Material | |
| Housing | PA 6 |
| Mass | 5 g |
| Note | Packaging unit, 25-piece |

Compliance with standards and directives

| | |
|----------------------|--|
| Standard conformity | |
| Degree of protection | EN 60529 |
| RFID | ISO/IEC 15693-1:2010 , ISO/IEC 15693-2:2006 , ISO/IEC 15693-3:2009 , ISO/IEC 18000-3 |

Notes

The transponder can be read and written from either side.

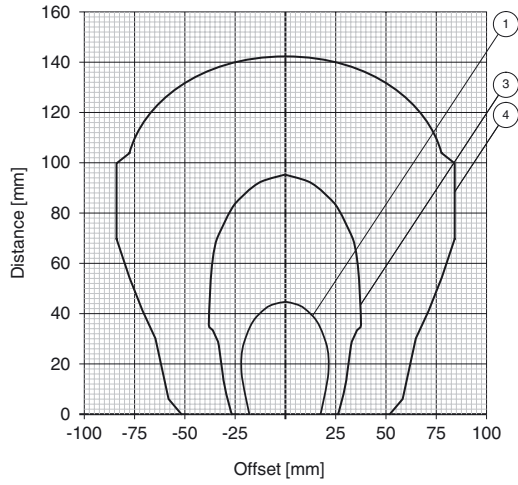
Notes

High temperatures will cause the enclosure to stretch.
If the enclosure is assembled under mechanical stress, the resulting pressure may damage the data carrier.
Install the enclosure loosely to allow for expansion.

Read/write distances

- ① IQH1-18GM-V1 ② IQH1-F61-V1 ③ IQH1-FP-V1
- ④ IQH1-F15-V1

Reading range in air IQC33-50



Release date: 2016-08-26 13:00 Date of issue: 2016-08-26 288646_eng.xml