

Customer: _____

No. KX-2003-6501

Date: Jun. 12, 2003

Attention: _____

Your ref. No: _____

Your Part. No: _____

SPECIFICATIONS

ALPS';

MODEL RK09K1130BGM
(10k A)

Spec. No. : _____

Sample No. : FO734353M

RECEIPT STATUS
RECEIVED
By <u>Date</u> _____
<u>Signature</u> _____
<u>Name</u> _____
<u>Title</u> _____

ALPS ELECTRIC CO., LTD.

HEAD OFFICE
1-7, YUKIGAYA-OHTSUKA-CHO,
OHTA-KU, TOKYO 145-8501 JAPAN

DSG'D M. Sato

APP'D S. Sato

Sales _____

SPECIFICATIONS

1. THIS SPECIFICATIONS APPLY TO RK09K1130BGM POTENTIOMETER.

2. CONTENTS OF THIS SPECIFICATIONS.

F0734353M
K091C0Z06

3. MARKING

· MARKING ON ALL UNITS
DATE CODE, RESIST. VALUE, TAPER

4. REMARKS

· NOTES

· METHOD OF MARKING
TO BE STAMPED WITH BLACK INK OR LASER MARKING
· This unit uses polycarbonate. To be careful for using this unit in such violent gas atmospheric condition as ammonia, amine, alkaline aqueous solution, aromatic hydrocarbon, keton, ester, alkyl hydrocarbon, etc.

· CAUTION

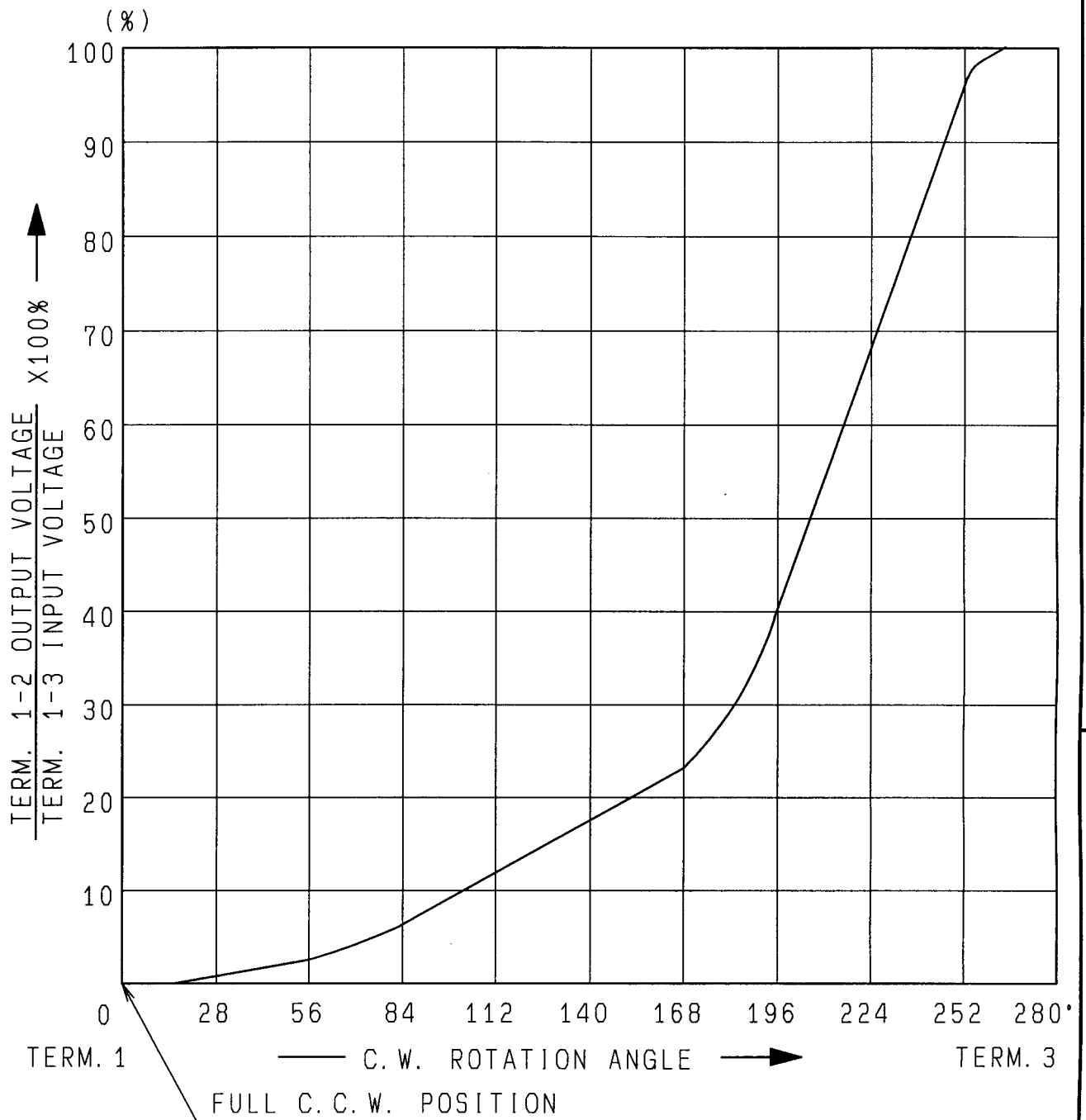
Regardless of the suggested applications of these products being introduced in the specifications, when using them for equipment and devices requiring a high degree of safety, respective manufacturers will please preserve safety of the planned equipment and devices by providing necessary protective circuits and redundancy circuits and reconfirm if safety is being duly preserved.

Products being introduced in the specifications have been designed and manufactured for applications to ordinary electronic equipment and devices such as the AV equipment, electric home appliances, office machines and communications equipment. Consequently, when employing these products for applications requiring a high degree of safety and reliability such as the medical equipment, aviation and aircraft equipment, space equipment and burglar alarm equipment, the using manufacturers will please thoroughly study the proprieties of these products for the planned applications.

Although we are exerting our best efforts to maintain the quality of these products, we cannot guarantee that they will never cause short circuiting and open circuitry. Therefore, when designing an equipment or device with which the priority is given to the safety, you will please carefully study the influences to the whole equipment of a single function failure of Potentiometers and Encoders in advance to make out a fail-safe design providing.

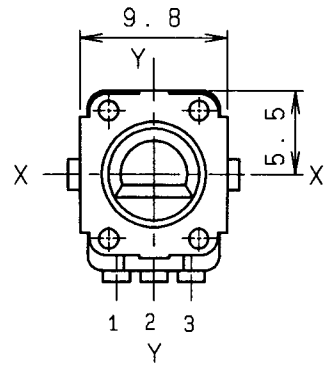
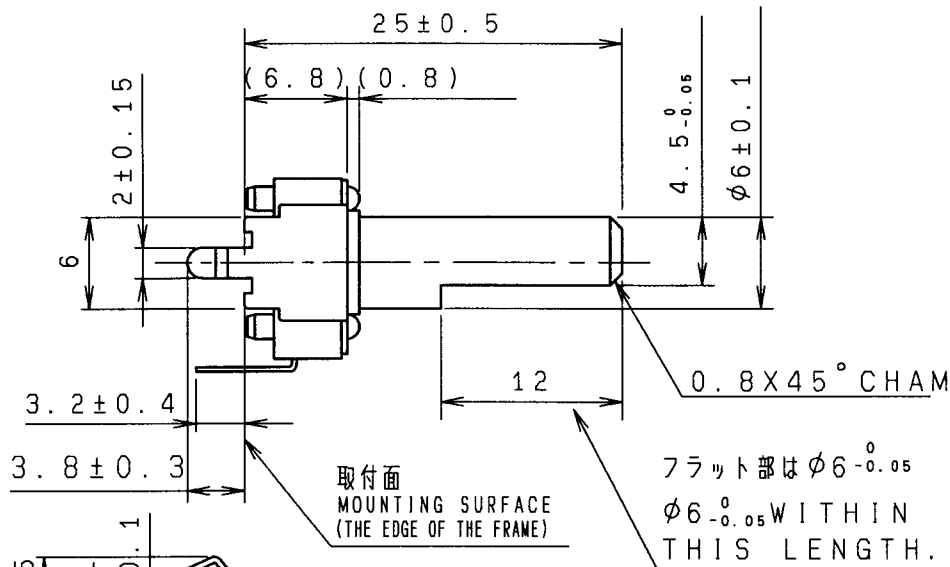


ALPS ELECTRIC CO., LTD
1-7 YUKIGAYA OTSUKA-CHO OTA-KU TOKYO JAPAN

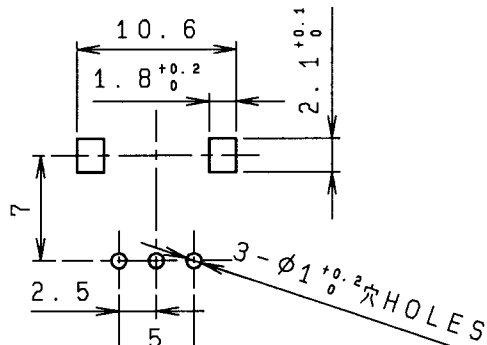
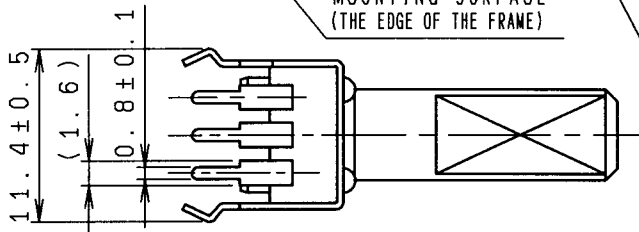


AT 140° C.W. SHAFT ROTATION FROM FULL C.C.W. POSITION VOLTAGE PERCENT SHALL FALL WITHIN THE LIMITS OF 10~25 PERCENT.

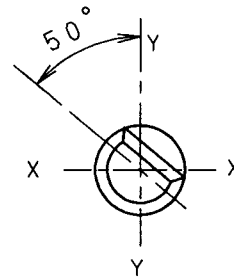
					APPD.	CHKD.	DSGD.	NAME
					Jul. 13. '93	Jul. 13. '93	Jul. 13 '93	RESISTANCE TAPER (A)
					K. Magami	K. Sasaki	K. Suzuki	DOCUMENT NO.
SYMB	DATE	APPD	CHKD	DSGD				F0734353M



軸はセンター位置を示す。
SHAFT SHOWN IN
CENTER POSITION.

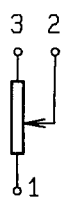


端子取付寸法図(挿入側より見た図)
(許容差±0.1)
MOUNTING HOLE DETAIL
(TOLERANCE±0.1)
VIEWED FROM MOUNTING SIDE



軸は反時計方向に回し切った状態を示す。
SHAFT SHOWN IN
FULL C.C.W. POSITION.

回路図
CIRCUIT



製品質量: 1.8 g
NET WEIGHT

指定なき部分の許容差 TOLERANCES UNLESS OTHERWISE SPEC	
$L \leq 10$	±0.3
$10 < L < 100$	±0.5
$100 \leq L$	±0.8
角度 ANGULAR DIMENSION	±5°

			SHAFT COLOR : BLACK(B)	
PART NO.	NAME	MATERIAL NAME / CODE	FINISH	
ALPS ALPS ELECTRIC CO., LTD.				
DSGD. 1-設計1番 Y. Saitoh 96-09-13			SCALE 2 : 1	NO. F0734353M
CHKD. Y. Satoh 96-09-13				TITLE 9形1軸単連絶縁軸VR
APPD. S. Aizawa 96-09-13			UNIT mm	DOCUMENT NO. F01
SYMB	DATE	APPD	CHKD	DSGD