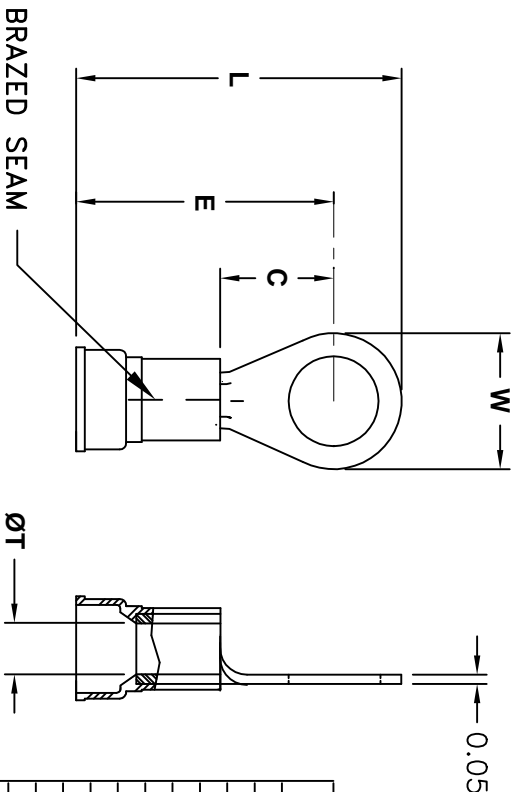


ALL RIGHTS RESERVED. NO PORTION OF THIS PUBLICATION, WHETHER IN WHOLE OR IN PART CAN BE REPRODUCED WITHOUT THE EXPRESS WRITTEN CONSENT OF SPC TECHNOLOGY.

REVISIONS			DOC. NO. SPC-F005	* Effective: 12/21/98	* DCP No: 880			
DCP #	REV	DESCRIPTION	DRAWN	DATE	CHECKD	DATE	APPRVD	DATE
	A	Redrawn in Autocad	JAP	11/20/91				
1113	B	Bulk Product added - Was CRS-ZY-****	JWM	2/28/01	JC	3/2/01	JC	3/2/01

NOTES:

1. MATERIAL: ELECTRO-TIN PLATED COPPER, NYLON 6/6 SLEEVE
FLAMMABILITY: UL94V-2
2. CONTINUOUS OPERATING TEMPERATURE:
-40°F (-40°C) TO 167°F (75°C)
3. VOLTAGE RATING: 600 V
4. TO BE FREE OF BURRS.



SPC Type #	Wire Size (AWG)	Stud Size	L	W	E	C	T	Color	Pkg. QTY
CRS-ZY-0610	6	#10 (.190)	1.50	.47	1.27	.52			20
SPC3783	6	#10 (.190)	1.50	.47	1.27	.52			200
CRS-ZY-0625	6	1/4" (.250)	1.50	.47	1.27	.52			20
SPC3784	6	1/4" (.250)	1.50	.47	1.27	.52			200
CRS-ZY-0631	6	5/16" (.312)	1.58	.63	1.27	.52	.250	Blue	20
SPC3785	6	5/16" (.312)	1.58	.63	1.27	.52			200
CRS-ZY-0637	6	3/8" (.375)	1.58	.63	1.27	.52			20
SPC3786	6	3/8" (.375)	1.58	.63	1.27	.52			200
CRS-ZY-0650	6	1/2" (.500)	1.78	.81	1.38	.63			10
SPC3787	6	1/2" (.500)	1.78	.81	1.38	.63			100
CRS-ZY-0810	8	#10 (.190)	1.26	.47	1.03	.40			25
SPC3778	8	#10 (.190)	1.26	.47	1.03	.40			250
CRS-ZY-0825	8	1/4" (.250)	1.26	.47	1.03	.40			25
SPC3779	8	1/4" (.250)	1.26	.47	1.03	.40			250
CRS-ZY-0831	8	5/16" (.312)	1.38	.59	1.08	.45			25
SPC3780	8	5/16" (.312)	1.38	.59	1.08	.45	.175	Red	250
CRS-ZY-0837	8	3/8" (.375)	1.38	.59	1.08	.45			25
SPC3781	8	3/8" (.375)	1.38	.59	1.08	.45			250
CRS-ZY-0850	8	1/2" (.500)	1.72	.81	1.32	.69			20
SPC3782	8	1/2" (.500)	1.72	.81	1.32	.69			200

DISCLAIMER:
ALL STATEMENTS AND TECHNICAL INFORMATION CONTAINED HEREIN ARE BASED UPON INFORMATION AND/OR TESTS WE BELIEVE TO BE ACCURATE AND RELIABLE SINCE CONDITIONS OF USE ARE BEYOND OUR CONTROL. THE USER SHALL DETERMINE THE SUITABILITY OF THE PRODUCT FOR THE INTENDED USE AND ASSUME ALL RISK AND LIABILITY WHATSOEVER IN CONNECTION THEREWITH.



SPC TECHNOLOGY



LISTED

ES6918

LR22190W6

OSHA Acceptable

SPC-F005.DWG

UNLESS OTHERWISE SPECIFIED, DIMENSIONS ARE FOR REFERENCE PURPOSES ONLY.

DRAWN BY:	DATE:
JC	3/6/91
CHECKED BY:	DATE:
JC	11/25/91
APPROVED BY:	DATE:
JL	11/25/91

DRAWING TITLE:		ELECTRONIC FILE	
Nylon Insulated Ring Terminals		TA-293.dwg	
SIZE	DWG. NO.	REV	
A	TA-293	B	
SCALE:	NTS	SHEET:	1 OF 1
	U.O.M.: INCHES [mm]		