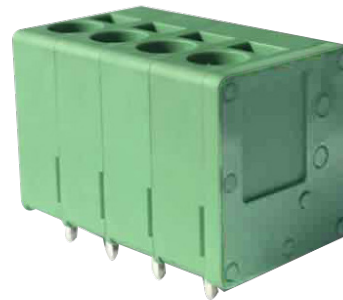


Terminal Block Screwless 20.7070M/xx-E

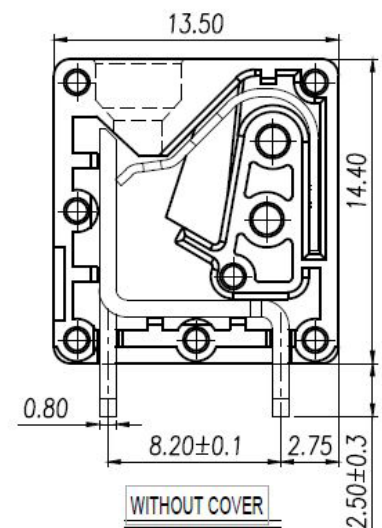
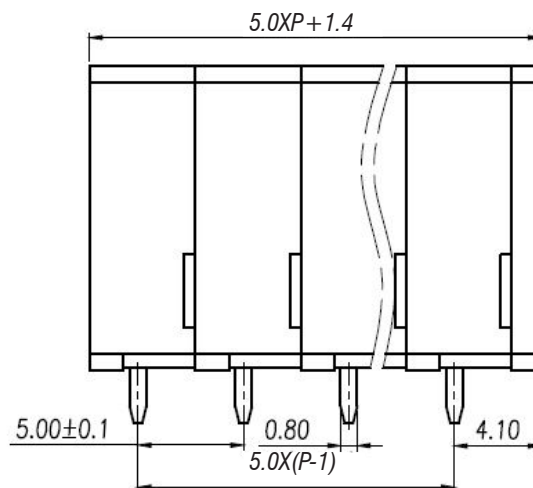
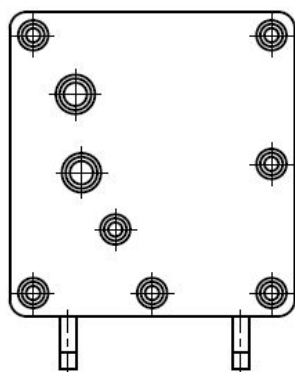
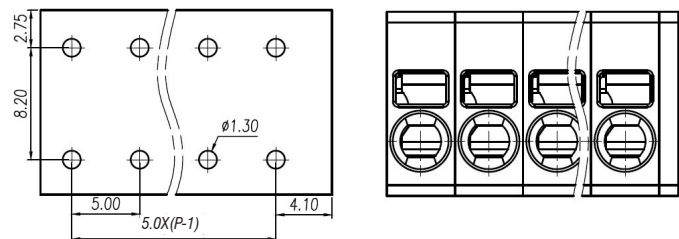
- 300V 20A UL
- UL94-V0
- PA66
- 5mm Pin Pitch
- xx = Number of Poles (available from 1~5 poles)



Technical Data

Pitch	5.00mm
UL Rating	300V 20Amps
IEC Rating	250V 24Amps
Solder Pin	Copper Alloy
Wire Range	24-12AWG (0.2-2.5mm ²)
PCB Hole Diameter	1.3mm
Insulation Voltage	AC1600V / 1 Min
Initial Contact Resistance	20mΩ
Insulation Resistance	500MΩ / DC500V
Temperature Range	-40 to +105°C
Max Soldering	+250°C for 5 sec

PCB Layout



Dimensions shown in mm P = No of Poles

Supplied in green as standard
Other colour options and printing may be available depending upon quantity
Please contact IMO for further information