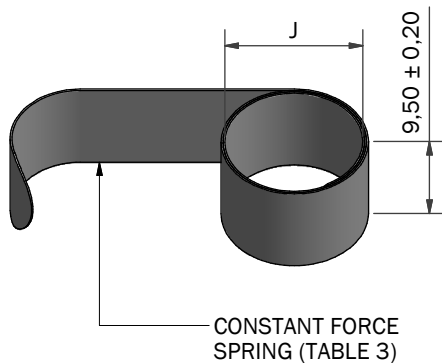
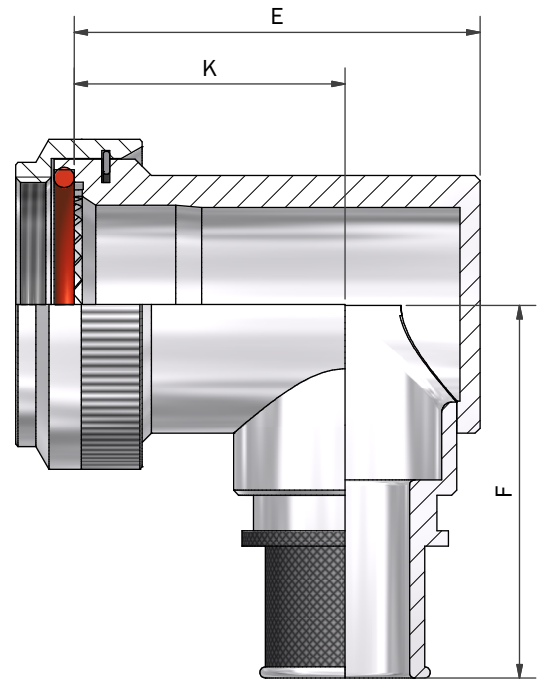
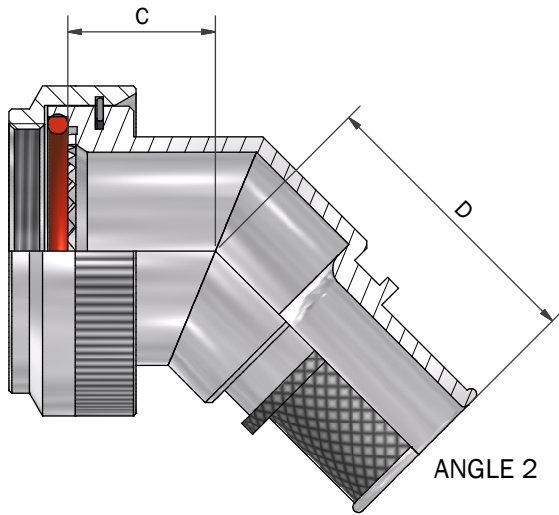
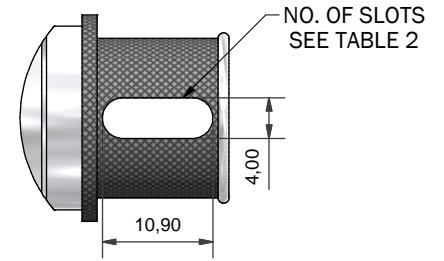


**SLOT OPTION - SL  
(PIGTAIL TERMINATION)**




<b>DRAWN</b> SALES APPR	J.CLARK	DATE 07/09/2010	3RD ANGLE PROJECTION NOT TO SCALE	 <b>POLAMCO</b> WESTON LOCK LOWER BRISTOL ROAD BATH BA2 1EP	PAGE 1 OF 3	UNLESS OTHERWISE SPECIFIED ALL DIMENSIONS IN MILLIMETRES
<b>DESIGN</b> APPR	K.SHEP	21/02/2008	THIS DRAWING IS COPYRIGHT AND THE PROPERTY OF POLAMCO LTD IT MUST NOT BE COPIED, USED FOR MANUFACTURE OR OTHERWISE DISCLOSED WITHOUT PRIOR WRITTEN CONSENT OF THE COMPANY.			
<b>ISSUE</b> 4	DCR 3969		<b>ASSY USED ON:</b> MIL-DTL-38999 SERIES III & IV <b>TITLE:</b> SPRING ADAPTOR <b>PART NUMBER:</b> 91H SERIES	<b>MATERIAL</b> ALUMINIUM ALLOY 6262 NCAGE CODE U5792		
<b>WEIGHT</b>	GENERAL TOL LINEAR +/-0.1MM ANGULAR +/- 1°			DRAWING NO: P10743		

TABLE 1

SHELL SIZE	A THREAD	ØB MAX	ØT MIN	C MAX	D MAX	E MAX	F MAX	K ±0,5
09	M12 x 1.0	18,0	6,7	13,1	25,7	25,7	30,5	17,5
11	M15 x 1.0	21,0	10,2	13,9	26,9	26,7	32,2	17,5
13	M18 x 1.0	24,5	13,5	14,5	27,3	31,2	33,7	20,0
15	M22 x 1.0	29,0	16,2	15,5	28,2	37,2	35,2	24,5
17	M25 x 1.0	32,5	19,4	16,1	29,0	40,2	36,9	26,7
19	M28 x 1.0	35,5	21,8	16,8	29,3	44,7	38,5	27,0
21	M31 x 1.0	37,0	25,1	17,1	30,1	49,2	40,1	30,5
23	M34 x 1.0	40,0	28,2	17,7	30,5	51,7	41,6	31,5
25	M37 x 1.0	43,5	31,4	18,4	31,4	53,2	43,1	28,5

TABLE 2

ENTRY SIZE	ØG MIN	ØH MAX	SPRING REF	NO. OF SLOTS *
03	4,7	13,9	HE050	1
04	6,3	13,9	HE050	1
05	7,9	15,5	HE100	1
06	9,5	17,2	HE100	2
07	11,1	18,7	HE100	2
08	12,7	20,3	HE200	2
09	14,2	21,9	HE200	2
10	15,8	23,5	HE200	2
11	17,4	25,1	HE200	2
12	19,0	26,7	HE300	2
13	20,6	28,3	HE300	2
14	22,2	29,9	HE300	4
15	23,8	31,5	HE300	4
16	25,4	33,1	HE300	4
17	27,0	34,7	HE400	4
18	28,6	36,3	HE400	4
19	30,2	37,9	HE400	4
20	31,8	39,5	HE400	4
21	33,3	41,1	HE400	4
22	35,0	42,7	HE400	4
23	36,5	44,3	HE400	4
24	38,1	45,9	HE400	4

TABLE 3

SPRING REF	J MAX (UNCONSTRAINED)
HE 050	7,5
HE 100	8,0
HE 200	12,8
HE 300	17,9
HE 400	21,8

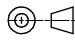

TABLE 4

CODE	FINISH
C	ELECTROLESS NICKEL
B	CADMIUM OLIVE DRAB OVER ELECTROLESS NICKEL
ZB	ZINC COBALT OLIVE DRAB OVER ELECTROLESS NICKEL
ZN	ZINC NICKEL BLACK PASSIVATE OVER ELECTROLESS NICKEL

LIST NOT EXHAUSTIVE, SEE PLATING TABLE FOR OTHER OPTIONS

91H1-17-08-1-C-HE200

SERIES \_\_\_\_\_  
 CONNECTOR INTERFACE \_\_\_\_\_  
 ANGLE \_\_\_\_\_  
 SHELL SIZE (TABLE 1) \_\_\_\_\_  
 ENTRY SIZE (TABLE 2) \_\_\_\_\_  
 MATERIAL \_\_\_\_\_  
 ALUMINIUM ALLOY \_\_\_\_\_  
 FINISH (TABLE 4) \_\_\_\_\_  
 \*INSERT SL FOR SLOT OPTION \_\_\_\_\_  
 OMIT FOR STANDARD \_\_\_\_\_  
 SPRING REF (TABLE 2) \_\_\_\_\_  
 OMIT IF NO SPRING REQUIRED \_\_\_\_\_

<b>DRAWN</b> SALES APPR	J.CLARK	DATE 07/09/2010	 3RD ANGLE PROJECTION NOT TO SCALE	 <b>POLAMCO</b> WESTON LOCK LOWER BRISTOL ROAD BATH BA2 1EP	<b>PAGE 2</b> OF 3	UNLESS OTHERWISE SPECIFIED ALL DIMENSIONS IN MILLIMETRES
<b>DESIGN</b> APPR	K.SHEP	21/02/2008	THIS DRAWING IS COPYRIGHT AND THE PROPERTY OF POLAMCO LTD IT MUST NOT BE COPIED, USED FOR MANUFACTURE OR OTHERWISE DISCLOSED WITHOUT PRIOR WRITTEN CONSENT OF THE COMPANY.	<b>ASSY USED ON:</b> MIL-DTL-38999 SERIES III & IV <b>TITLE:</b>  <b>SPRING ADAPTOR</b>		<b>MATERIAL</b> ALUMINIUM ALLOY 6262
<b>ISSUE</b> 4	<b>DCR</b> 3969					<b>PART NUMBER:</b>  <b>91H SERIES</b>
<b>WEIGHT</b>	GENERAL TOL LINEAR +/-0.1MM ANGULAR +/- 1°					<b>DRAWING NO:</b> P10743