

**PLEASE CHECK WWW.MOLEX.COM FOR LATEST PART INFORMATION**

**Part Number:** [0734042270](#)  
**Status:** **Active**  
**Overview:** [SMB RF Connectors](#)  
**Description:** 50 Ohms, SMB Right-Angle PCB, Bulkhead Jack Receptacle, One Piece Per Bag

**Documents:**

[Drawing \(PDF\)](#) [RoHS Certificate of Compliance \(PDF\)](#)

**General**

Product Family	RF/Coax Connectors
Series	<a href="#">73404</a>
Overview	<a href="#">SMB RF Connectors</a>
Product Name	SMB
Style	PCB
Type	Subminiature
UPC	800756688169
Wire/Cable Type	N/A

**Physical**

Gender	Jack
Keying to Mating Part	None
Net Weight	4.685/g
Orientation	Right Angle
PCB Mounting	Through Hole
PCB Thickness - Recommended	2.40mm
Packaging Type	Bag
Panel Mount	Yes
Panel Mount Method	Bulkhead
Reverse Polar	No

**Electrical**

Frequency	4 GHz
Impedance	50Ω

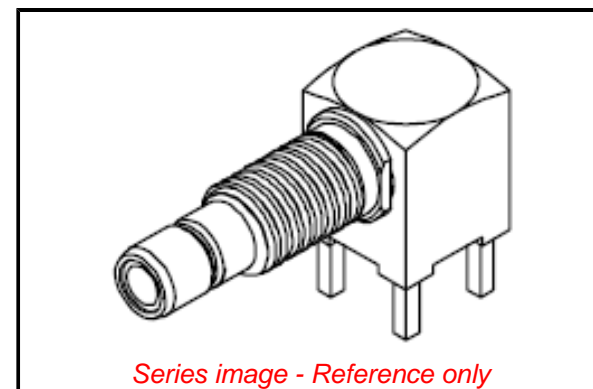
**Solder Process Data**

Duration at Max. Process Temperature (seconds)	010
Lead-freeProcess Capability	REFLOW
Max. Cycles at Max. Process Temperature	002
Process Temperature max. C	260

**Material Info**

**Reference - Drawing Numbers**

Sales Drawing	SD-73404-227
---------------	--------------



**EU ELV**

**Not Relevant**

**EU RoHS**

**Compliant with Exemption 6(c)**

**REACH SVHC**

Contained Per - ED/61/2018 (27 June 2018)

Lead

**Halogen-Free**

**Status**

**Low-Halogen**

**Need more information on product environmental compliance?**

Email [productcompliance@molex.com](mailto:productcompliance@molex.com)  
Please visit the [Contact Us](#) section for any non-product compliance questions.

China ROHS

ELV

Prop65

PropRisk

PropRisk

PropRisk

PropSub

RoHS Phthalates

50 Image

Not Relevant

Duty-To-Declare

Cancer

Developmental toxicity

Reproductive toxicity

Lead and its compounds

Not Contained

**Search Parts in this Series**

[73404 Series](#)