

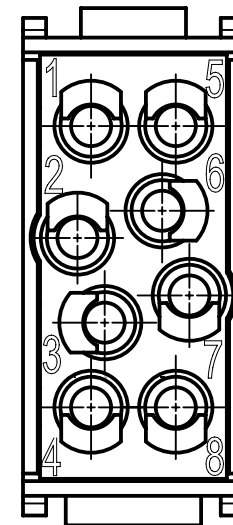
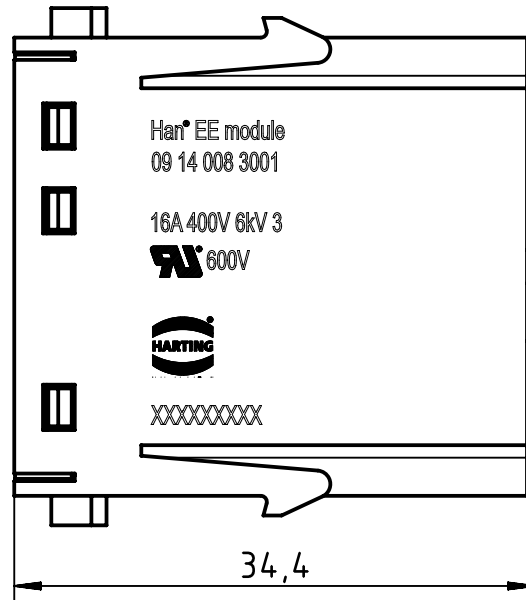
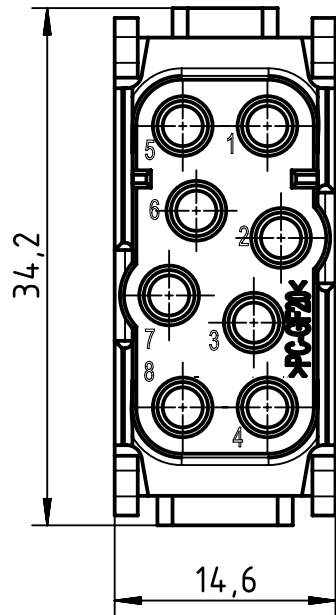
1 2 3 4 5 6

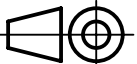

A

B

C

D



 All Dimensions in mm Original Size DIN A4	Scale 2:1	Free size tol.			Ref.
					Sub.
 All rights reserved Department EL PD	Created by HELLMANN	Inspected by SCHNIEDER	Standardisation GARSKE	Date 2020-08-10	State Final Release
	Title Han EE module, crimp male				Doc-Key / ECM-Nr. 1001214.02/UGD/011/B 500000177548
HARTING Electric GmbH & Co. KG D-32339 Espelkamp		Type TB	Number 09 14 008 3001		Rev. B
					Page 1/1