

Magnetic holder



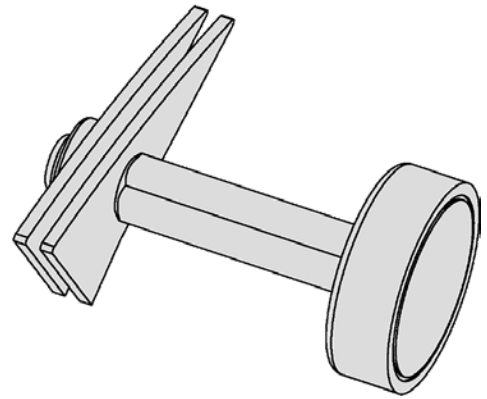
Application:

For holding blow-out guns in standard operation.

Execution:

- For compressed air blow-out and liquid guns, series 208 and MultiFLOW

Art. no.	75103 190
Brand	CEJN
Manufacturer Part Number	112109000
Gross Weight	0.068 kg
Product Group	7AI



EAN

7391390280404