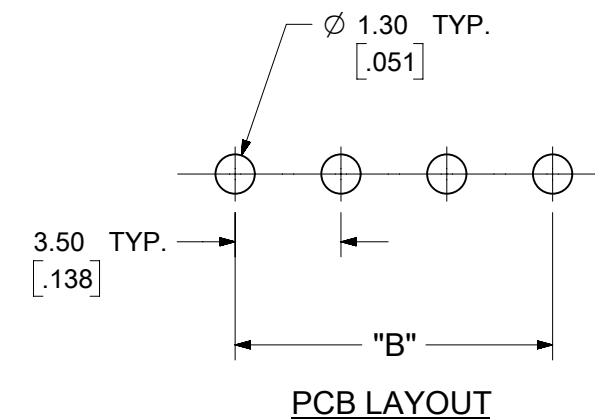
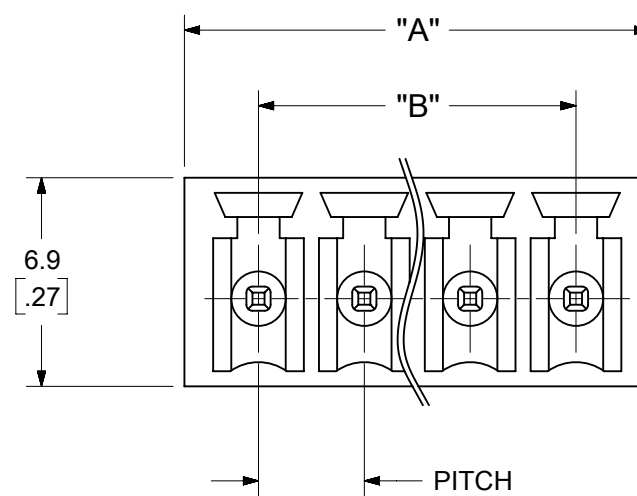
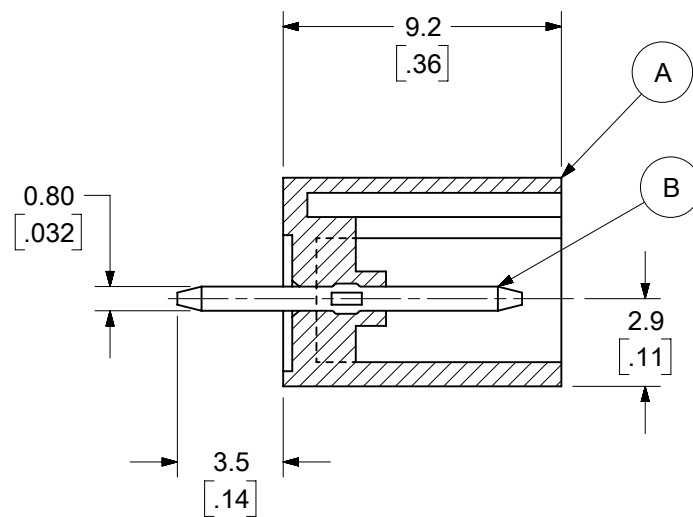


4 CIRCUIT SHOWN



PCB LAYOUT

SPECIFICATIONS:

1. MATERIAL:
 - A. BODY: PA66
 - B. TERMINAL: BRASS
2. WIRE RANGE: N/A
3. ELECTRICAL RATING: 300V, 8A.
4. MAX TORQUE: N/A.
5. WIRE STRIP LENGTH: N/A.
6. OPERATING TEMPERATURE: -40°C to +105°C.
7. $A = (N \times P) + 1.4\text{MM}$
8. $B = (N - 1) \times P$
9. P (PITCH) = 3.5MM (.138").
10. N = NUMBER OF POSITIONS AVAILABLE 2 THROUGH 20.

TOLERANCES			
MM	TOL	INCH	TOL
0-6	±0.25	0-.24	±.010
>6-30	±0.40	.24-1.18	±.016
>30-120	±0.50	1.18-4.76	±.020
>120	±0.80	>4.76	±.031

SYMBOLS	THIS DRAWING CONTAINS INFORMATION THAT IS PROPRIETARY TO MOLEX ELECTRONIC TECHNOLOGIES, LLC AND SHOULD NOT BE USED WITHOUT WRITTEN PERMISSION					
	DIMENSION UNITS	SCALE				
▽ = 0	MM/INCH	4:1		EC NO: 619929		
▽ = 0	GENERAL TOLERANCES (UNLESS SPECIFIED)			DRWN: ABENJAMINLW 2019/06/10		
▽ = 0		MM	INCH	CHK'D: DACHAMMER 2019/07/01		
▽ = 0	4 PLACES ±	±	±	APPR: JFMURPHY 2019/07/08		
▽ = 0	3 PLACES ±	±	±	INITIAL REVISION:		
▽ = 0	2 PLACES ±	±	±	DRWN: LROTHAUS 2006/01/09		
▽ = 0	1 PLACE ±	±	±	APPR: JPAWLICK 2006/01/10		
▽ = 0	0 PLACES ±	±	±	DOCUMENT NUMBER		
▽ = 0	ANGULAR TOL ±	±	±	SD-39501-001		
▽ = 0	DRAFT WHERE APPLICABLE MUST REMAIN WITHIN DIMENSIONS	THIRD ANGLE PROJECTION	DRAWING	SERIES	MATERIAL NUMBER	CUSTOMER
▽ = 0		⊕	B-SIZE	39501	SEE SHEET-2	GENERAL MARKET
						DOC TYPE DOC PART REVISION
						PSD 001 B2
						SHEET NUMBER
						1 OF 2

