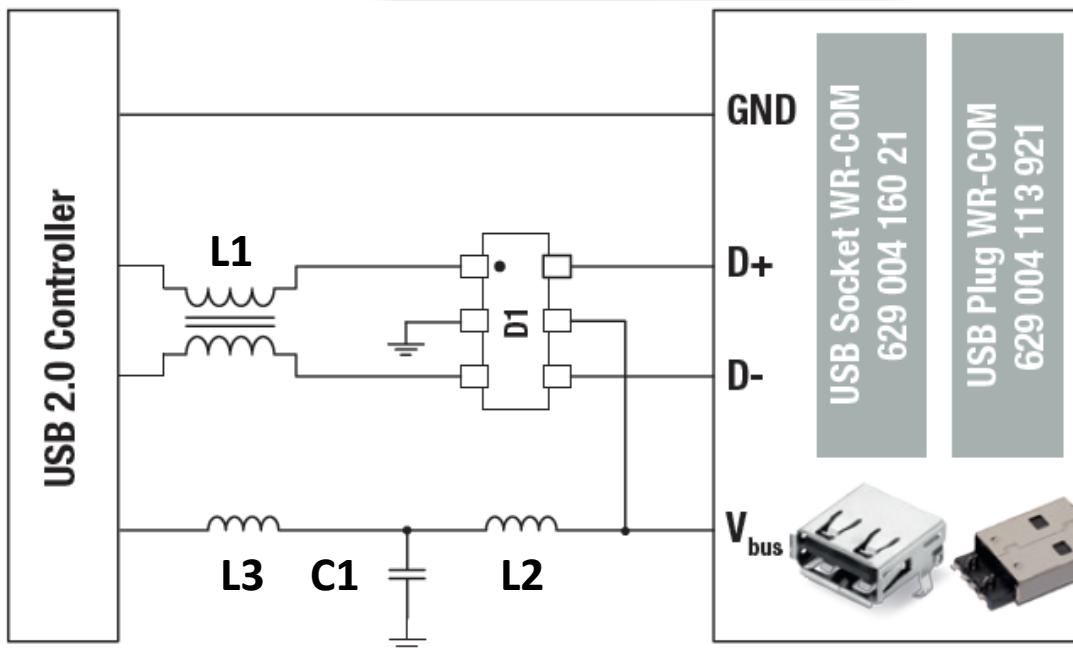
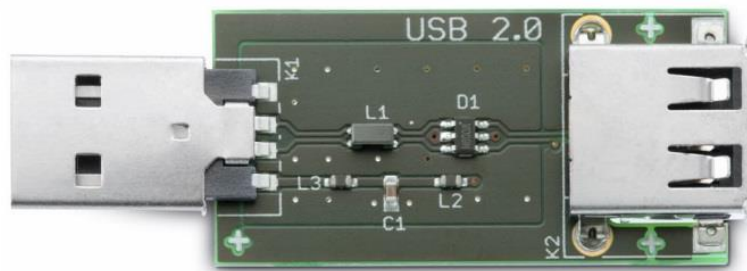




Order Code: 829999STICK

USB 2.0 EMC Stick with integrated ESD Protection and EMI Filter



L1 WE-CNSW	744 232 090	
	Size: 1206	
	I _R : 370 mA	
	Z: 90 Ω	

L2 + L3 WE-CBF	742 792 651	
	Size: 0603	
	I _R : 1000 mA	
	Z: 600 Ω	

C1 WCAP-CSGP	885 012 206 051	
	Size: 0603	
	C: 680 nF	
	U _R : 16 V	

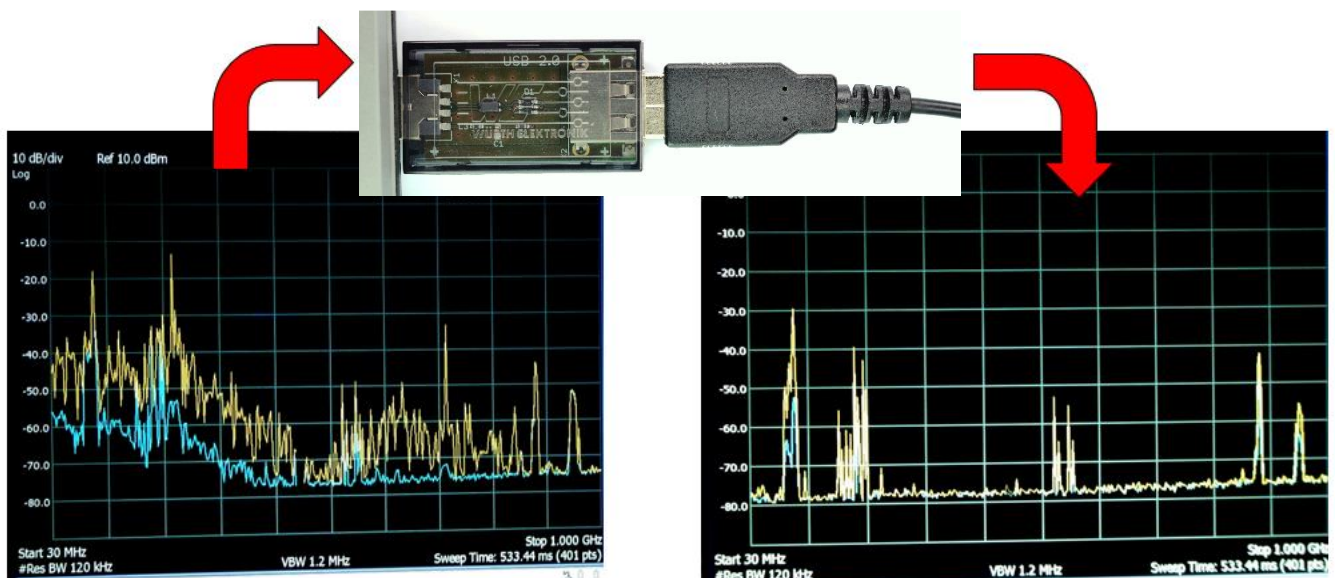
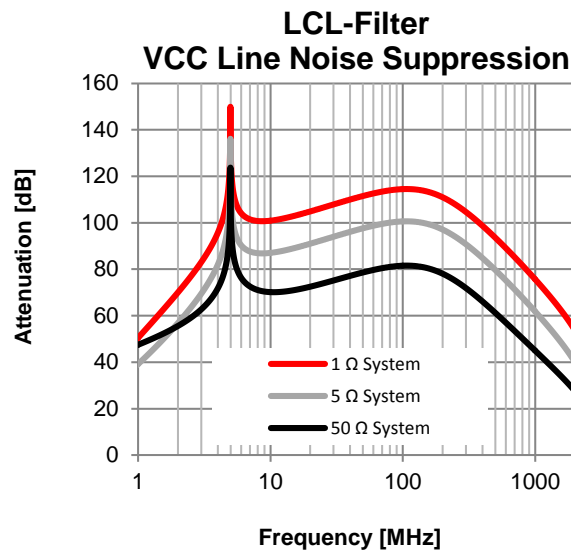
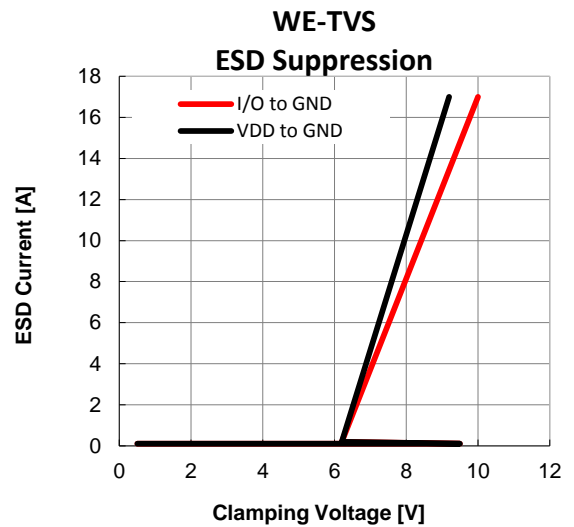
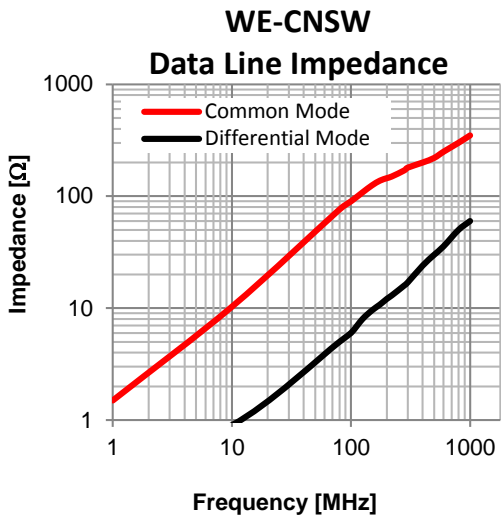
D1 WE-TVS	824 001 02	
	Size: SOT23-6L	
	V _{DC} : 6.0 V	
	C _X : 0.4 pF	

ONLY FOR DESIGN PURPOSES

Order Code: 829999STICK



Electrical Properties:



Noise without filter

Noise with filter

ONLY FOR DESIGN PURPOSES