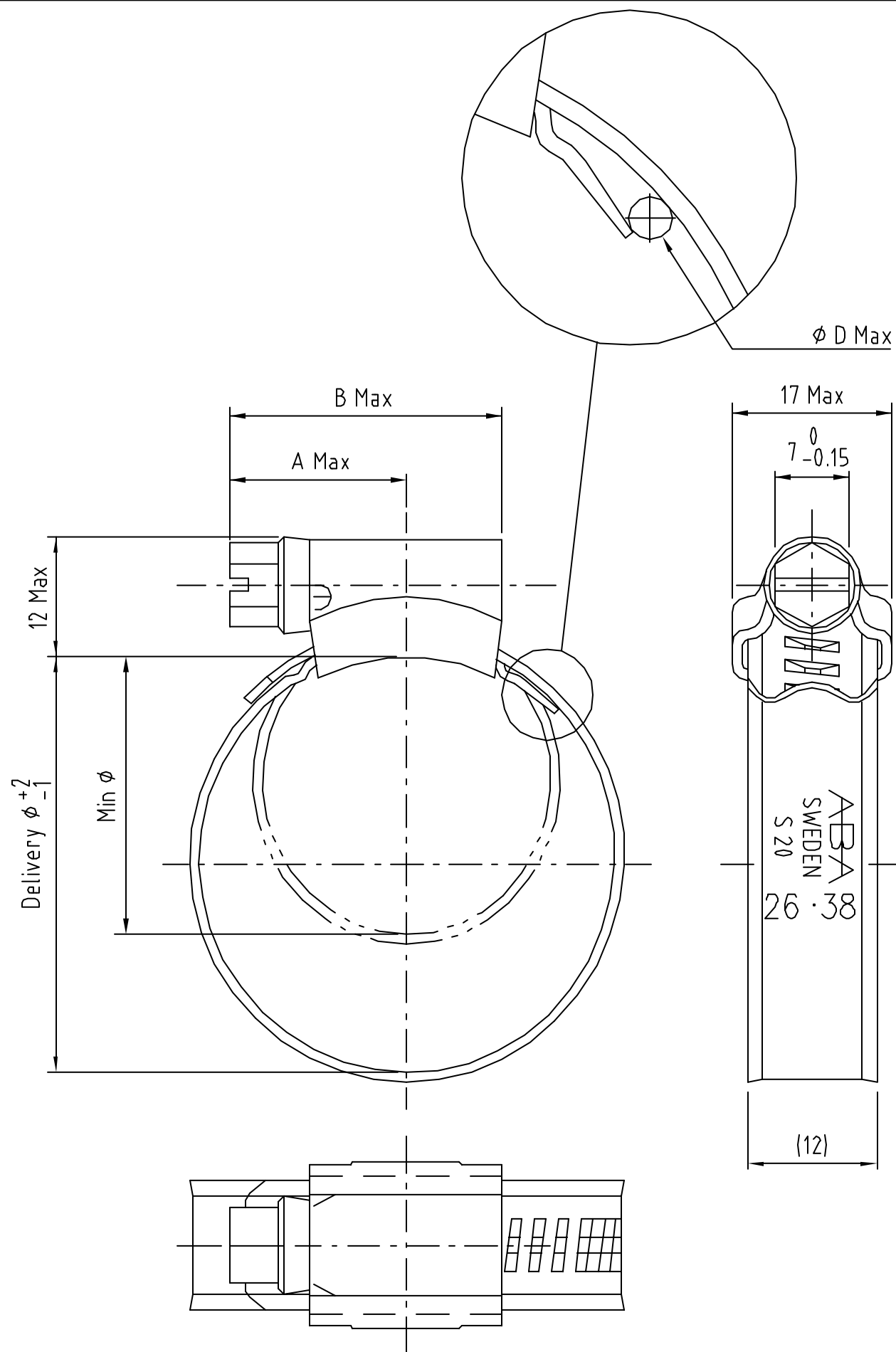


Denna handling får ej utan vårt medgivande kopieras, ändras, delgivas annan eller ej bestående användas.
 Överträdelse härav beivras med stöd av gällande lag, ABA of Sweden AB.
 This document shall not be copied, changed or imparted to a third person or used for any other unauthorized pur
 Trespassers will be prosecuted for stealing according to law. ABA of Sweden AB



Subnr.	Size	Del. φ	Min φ	A	B	φ D Max	Rec. tightening torque. Nm	Break torque. Min. Nm
-024	15-24	25	15	16	23	2	4-5	6
-028	19-28	29	19	17	25			
-032	22-32	33	22	18	27			
-038	26-38	39	26					
-044	32-44	45	32	20	31	2,5	5-6	7
-050	38-50	51	38					
-056	44-56	57	44					
-065	50-65	66	50					
-075	58-75	76	58					
-085	68-85	86	68					
-095	77-95	96	77					
-112	87-112	113	87					
-138	104-138	139	106				8	
-165	130-165	166	132					
-180	150-180	181	150					
-205	175-205	206	175					
-231	200-231	232	200					
-256	226-256	257	226					
-282	251-282	283	251					
-307	277-307	308	277					

ITEM	QTY	TITLE	MATERIAL	MOD.NR	DIMENSION	WEIGHT
		SMST 12 mm ABA	Aluzinc			
GENERAL TOLERANCE SS-ISO 2768-1		HEATTREATMENT		SURFACE ROUGHNESS Ra μm		
<input type="checkbox"/> MEDIUM <input type="checkbox"/> FINE				✓ { ✓ ✓ }		
DESIGN	DRAWN	DATE	MASTER DRAWING	REPLACE	REPLACED BY	
	<i>JIH</i>	941230				
				Hose clamp SMS		SCALE 2:1
				Worm drive type W1		APPROVED
DRAWING NO					ISSUE	
30033-00					F	

NO	QTY	CHANGE AND/OR MESSAGE NO.	DATE	DRAWN	APPR.	NO	QTY	CHANGE AND/OR MESSAGE NO.	DATE	DRAWN	APPR.
3		Message no. 462	031124	AJ							
2		Message no. 404	000906	J.H							
1		Message N° 373	000214	PG							