

36959 ✓ ACTIVE

SOLISTRAND

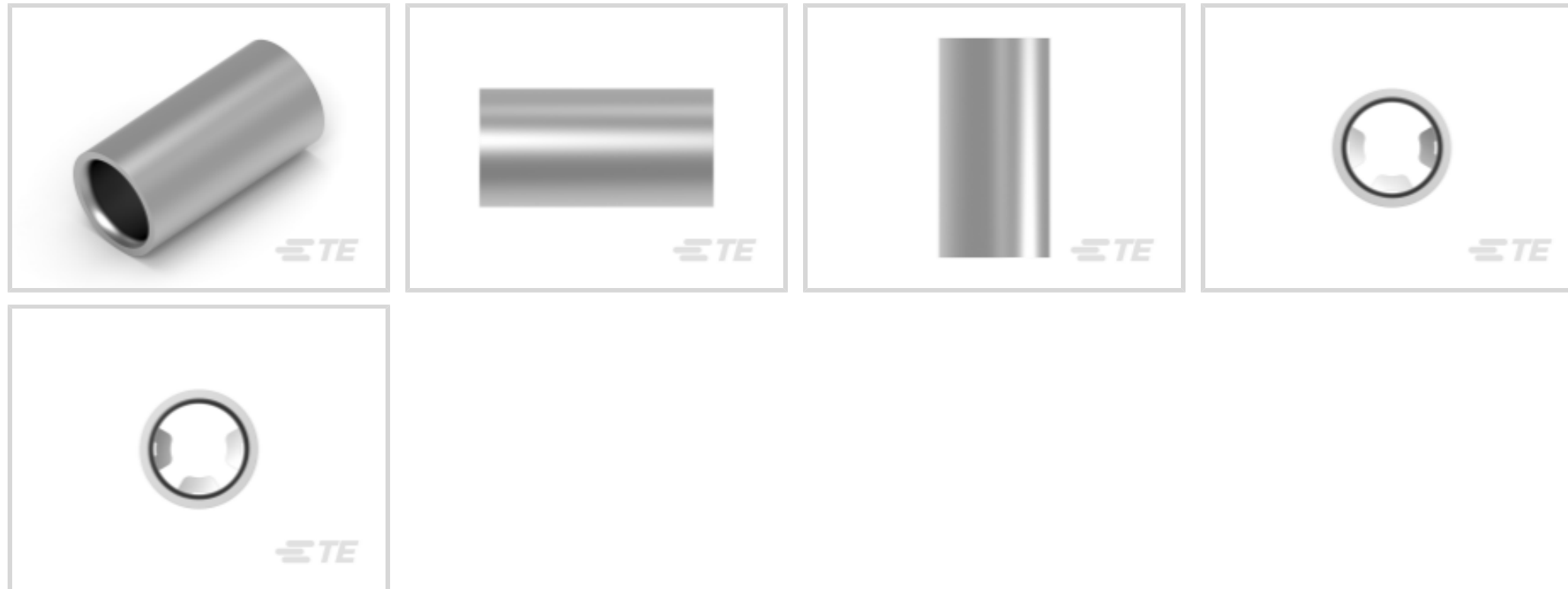
TE Internal #: 36959

Splices, Splice, Splice, 000AWG Wire Size, 80 – 95mm² Wire Size, Sight Hole, Barrel Inside Diameter .565 in [14.35 mm], 150500 – 190000CMA Wire Size

[View on TE.com >](#)



Terminals & Splices > Splices



Splice Product Type: **Splice**
Terminal & Splice Type: **Splice**
Wire Size: **80 – 95 mm²**
Sealable: **No**

Features

Product Type Features

Splice Product Type	Splice
Sealable	No
Splice Type	Butt Splice
Serrated	No
Splice Accessory Type	Splice
Splice Barrel Type	Closed Barrel
Splice Wire/Cable Type	Copper
Insulated	No
Support Style	Non - Insulation Support

Body Features

Weight per Piece	.219 g
Plating Material	Tin
Splice Features	Sight Hole
Splice Material	Copper

Contact Features



	100 µin
Contact Plating Material	Tin
Terminal & Splice Type	Splice

Mechanical Attachment

Wire Insulation Support	Without
-------------------------	---------

Dimensions

Outside Diameter	19.69 mm[.775 in]
Wire Size	150500 – 190000 CMA
Barrel Inside Diameter	14.35 mm[.565 in]
Splice Material Thickness	2.39 mm[.094 in]
Splice Overall Length	37.6 mm[1.48 in]

Usage Conditions

Insulation Requirement	Uninsulated
Operating Temperature Range	170 °C[338 °F]

Operation/Application

Heavy Duty	No
------------	----

Industry Standards

Government Qualified Splice	No
-----------------------------	----

Packaging Features

Packaging Quantity	50
Splice Packaging Method	Loose Piece

Other

Military Category	No
-------------------	----

Product Compliance

[For compliance documentation, visit the product page on TE.com>](#)

EU RoHS Directive 2011/65/EU	Compliant
EU ELV Directive 2000/53/EC	Compliant
China RoHS 2 Directive MIIT Order No 32, 2016	No Restricted Materials Above Threshold
EU REACH Regulation (EC) No. 1907/2006	Current ECHA Candidate List: JAN 2021 (211) Candidate List Declared Against: JAN 2021 (211)



Does not contain REACH SVHC

Halogen Content

Low Bromine/Chlorine - Br and Cl < 900 ppm per homogenous material. Also BFR /CFR/PVC Free

Solder Process Capability

Not applicable for solder process capability

Product Compliance Disclaimer

This information is provided based on reasonable inquiry of our suppliers and represents our current actual knowledge based on the information they provided. This information is subject to change. The part numbers that TE has identified as EU RoHS compliant have a maximum concentration of 0.1% by weight in homogenous materials for lead, hexavalent chromium, mercury, PBB, PBDE, DBP, BBP, DEHP, DIBP, and 0.01% for cadmium, or qualify for an exemption to these limits as defined in the Annexes of Directive 2011/65/EU (RoHS2). Finished electrical and electronic equipment products will be CE marked as required by Directive 2011/65/EU. Components may not be CE marked. Additionally, the part numbers that TE has identified as EU ELV compliant have a maximum concentration of 0.1% by weight in homogenous materials for lead, hexavalent chromium, and mercury, and 0.01% for cadmium, or qualify for an exemption to these limits as defined in the Annexes of Directive 2000/53/EC (ELV). Regarding the REACH Regulation, the information TE provides on SVHC in articles for this part number is based on the latest European Chemicals Agency (ECHA) 'Guidance on requirements for substances in articles' posted at this URL: <https://echa.europa.eu/guidance-documents/guidance-on-reach>


Compatible Parts



TE Part # 1490414-3
 HYP10 SOLIS HD 1/0AWG INDENTER



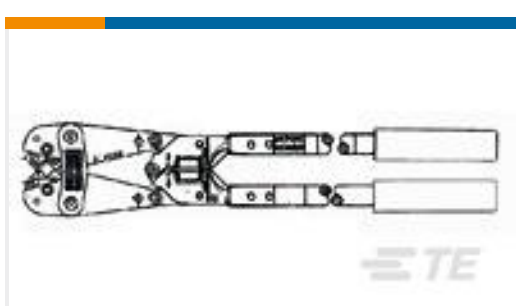
TE Part # 1490413-7
 HYP10 SOLIS 3/0AWG NEST



TE Part # 48131
 HYP8 SOLIS 1/0-4/0AWG INDENTER



TE Part # 48134
 HYP8 SOLIS 3/0AWG NEST



TE Part # 600850
 ROTO-CRIMP TOOL (ASI)

Customers Also Bought



TE Part #1622349-1
LR1 1% 1K0



TE Part #1-1625890-5
2W SM M/OX 5% 15R



TE Part #130560
TERMINAL SOLISTRAND RING
TONGUE DIA 6,1



TE Part #1-1622796-5
YR1 0.1% 200K



TE Part #WM-6P
DEUTSCH DTM WEDGELOCKS



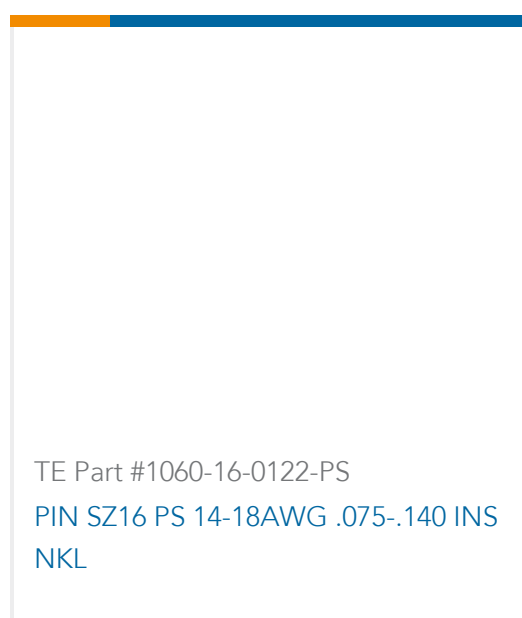
TE Part #1-1618002-8
EV200HAANA=RELAY, SPST-NO WITH



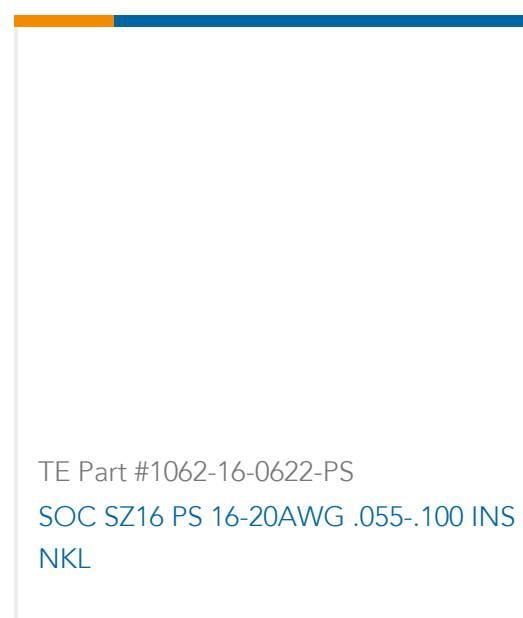
TE Part #1490019-2
CRIMPER, WIRE (.066" 'F)



TE Part #2-1633932-6
ANVIL, COMBINATION



TE Part #1060-16-0122-PS
PIN SZ16 PS 14-18AWG .075-.140 INS
NKL



TE Part #1062-16-0622-PS
SOC SZ16 PS 16-20AWG .055-.100 INS
NKL

Documents

Product Drawings

[SPLICE,SOLIS BUTT 3/0](#)

English

CAD Files

Customer View Model

[ENG_CVM_36959_C.3d_igs.zip](#)

English

Customer View Model

[ENG_CVM_36959_C.3d_stp.zip](#)

English

Customer View Model

[ENG_CVM_36959_C.2d_dxf.zip](#)

English

[3D PDF](#)

English

By downloading the CAD file I accept and agree to the [Terms and Conditions](#) of use.

Product Environmental Compliance



TE Material Declaration

English

Agency Approvals

UL Report

English

UL Report

English