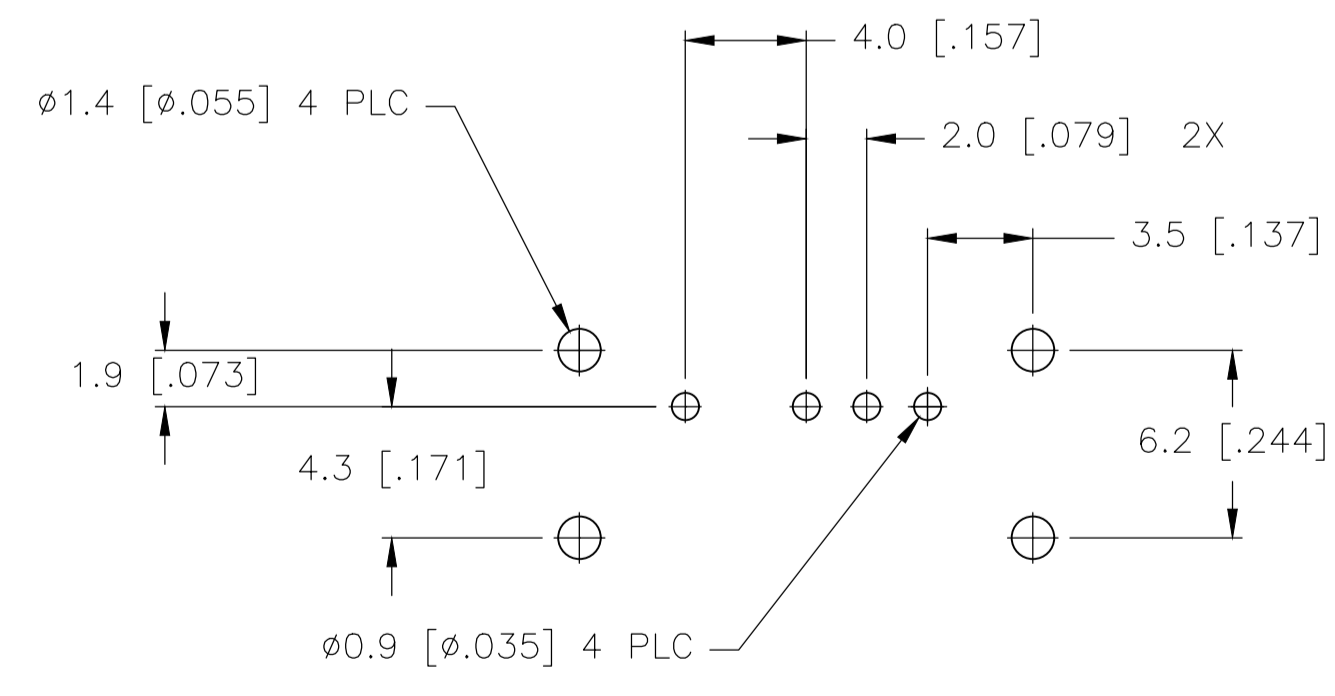
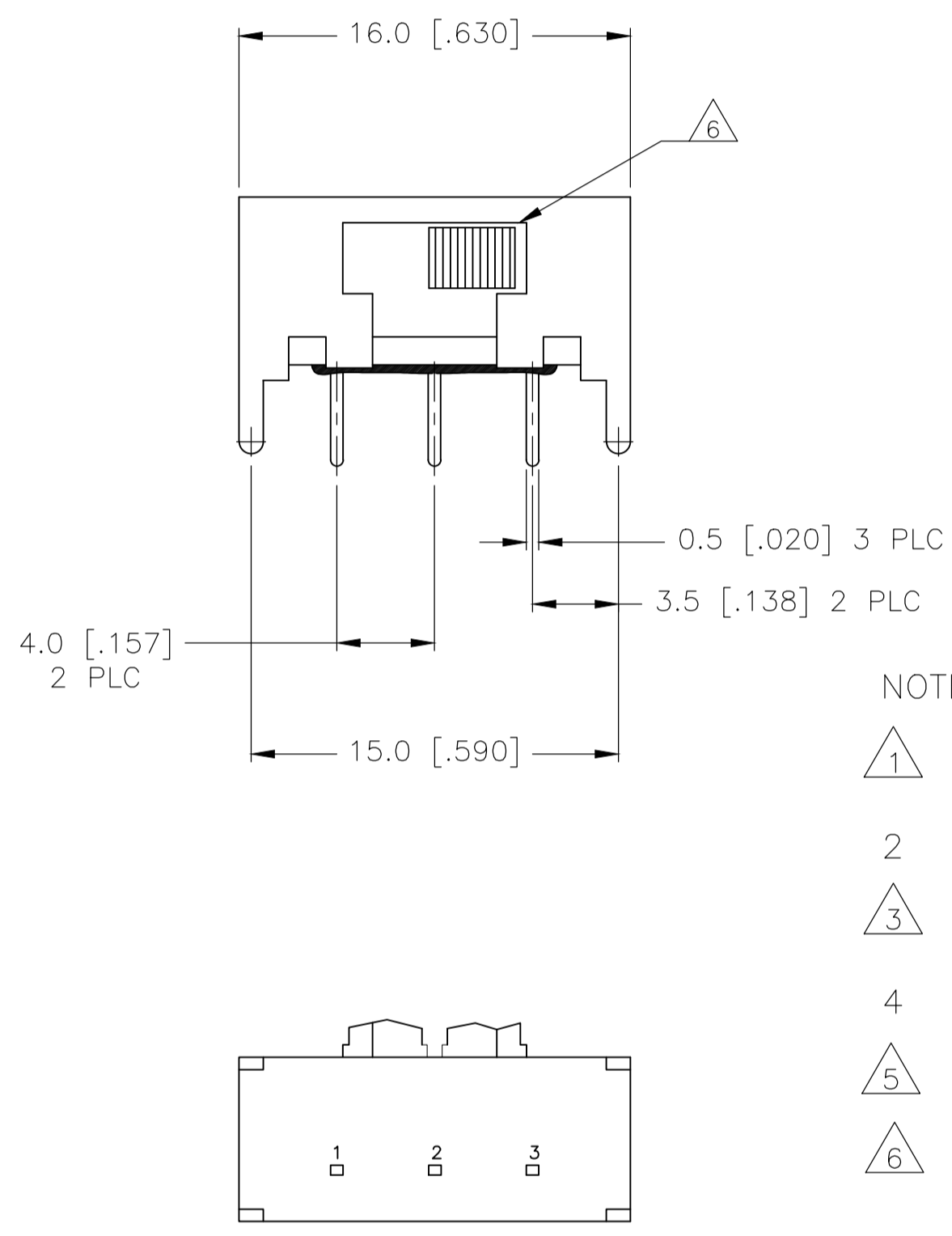
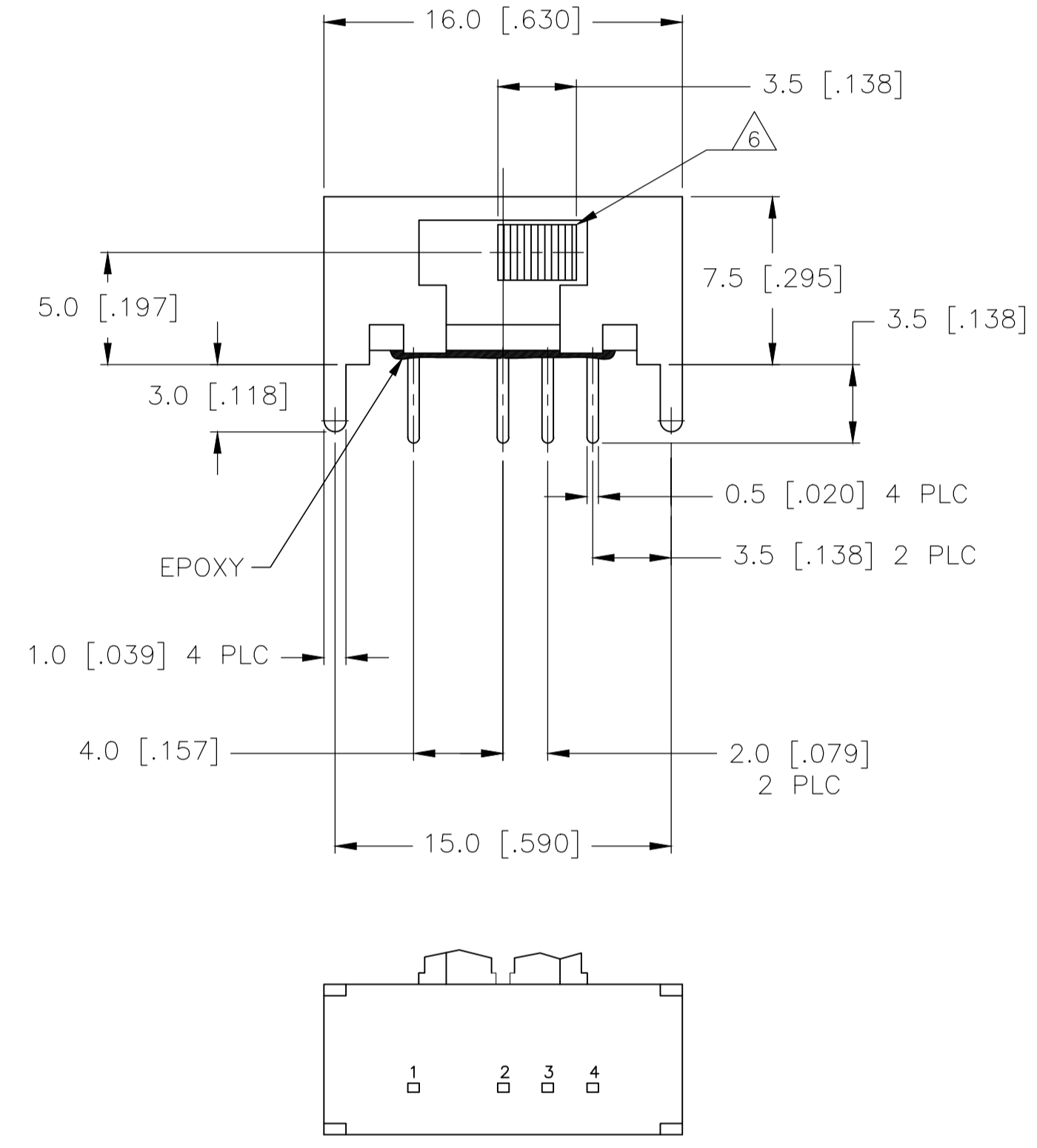
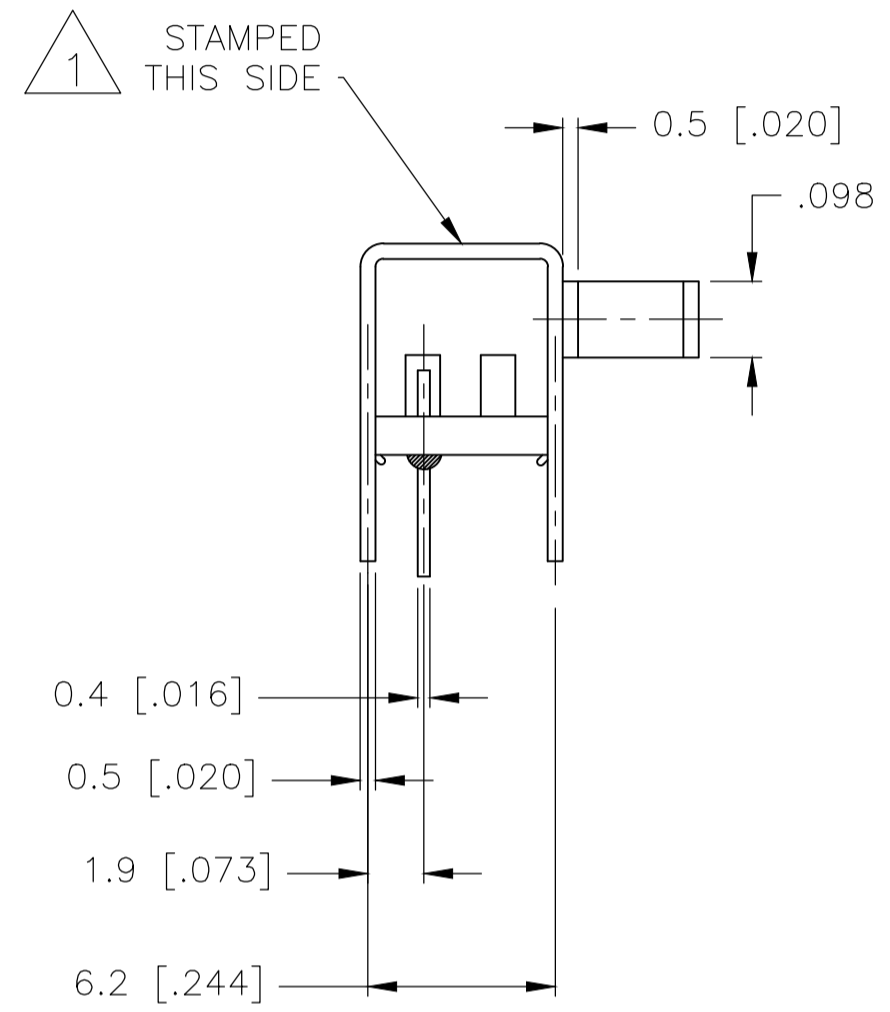
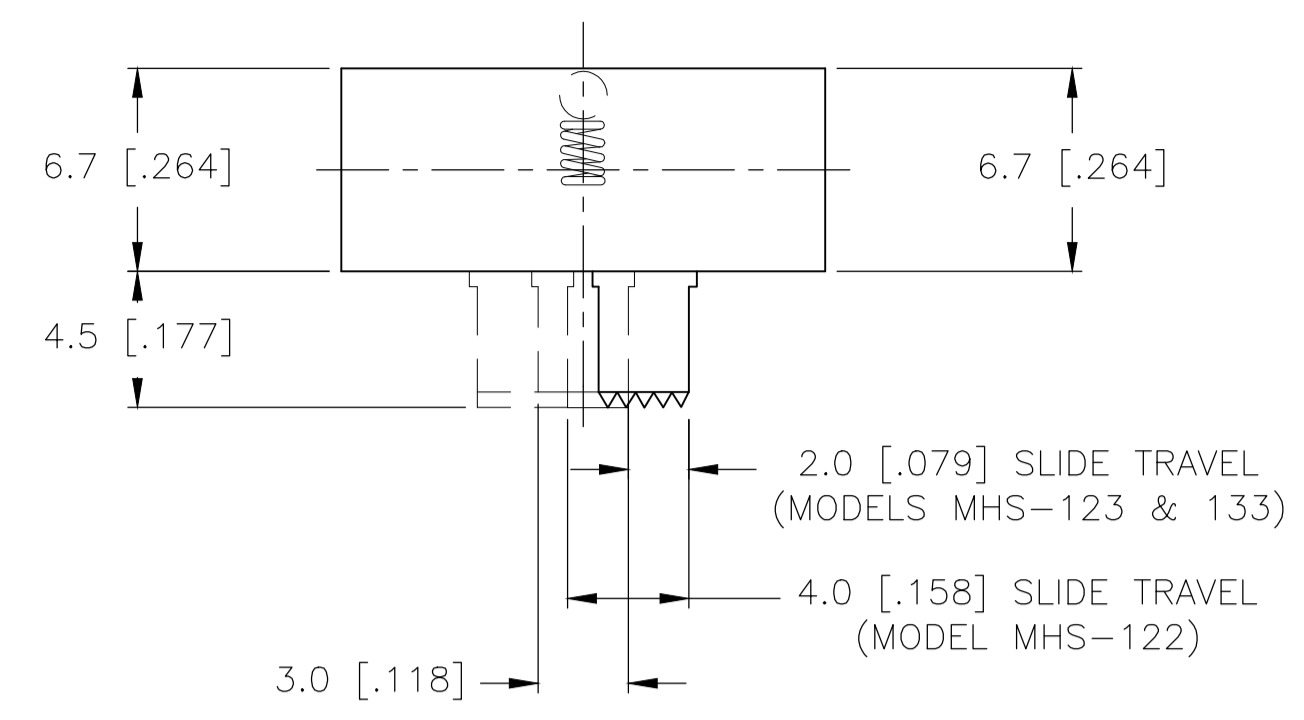
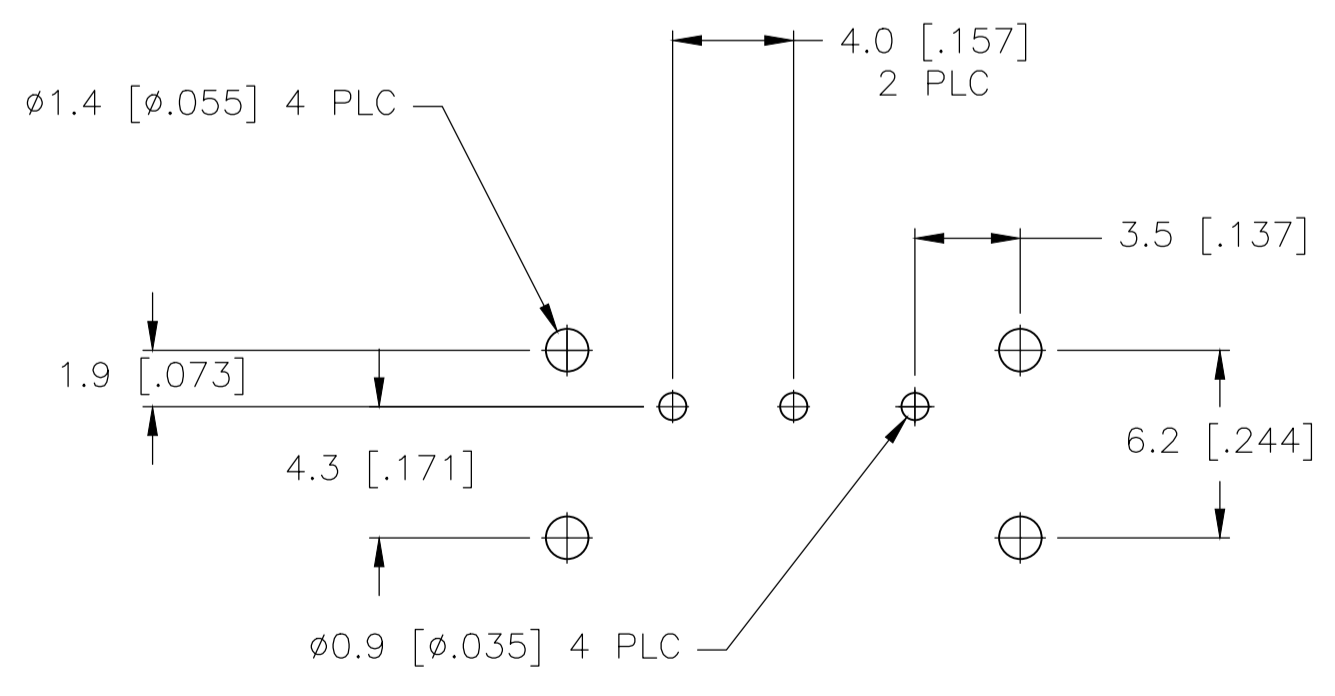


REVISIONS					
P	LTR	DESCRIPTION	DATE	DMN	APVD
A5		REVISED PER ECR-19-007953	23MAY2019	SR	PO



RECOMMENDED BOARD LAYOUT  
PC LAYOUT TOLERANCE: ±0.02

MHS-133 SERIES SWITCH



RECOMMENDED BOARD LAYOUT  
PC LAYOUT TOLERANCE: ±0.02

MHS-122 & 123 SERIES SWITCH

SPECIFICATIONS  
BREAK-BEFORE-MAKE

MATERIALS:  
 ACTUATOR- POM, UL94HB BLACK  
 TERMINAL BOARD- PHENOLIC LAMINATED SHEET, UL94HB, NATURAL  
 FRAME- STEEL, NICKEL PLATE  
 TERMINAL/FIXED CONTACT- COPPER ALLOY, GOLD OR SILVER OVER NICKEL PLATE  
 MOVING CONTACT- COPPER ALLOY, GOLD OR SILVER OVER NICKEL PLATE  
 DETENT BALL- STEEL  
 COIL SPRING- GALVANIZED SPRING WIRE  
 LEVER,(K SERIES ONLY)- ALUMINUM  
 SEAL- EPOXY

ELECTRICAL:  
 CONTACT RATING- .4VA@20VDC OR PEAK AC (GOLD); 300mA@125V AC (SILVER)PER EIA-448, METHOD  
 INITIAL CONTACT RESISTANCE- 30 milliohm max.  
 FINAL CONTACT RESISTANCE- 100 milliohm max. (AFTER TEST)  
 INSULATION RESISTANCE- 1,000 Megohms min.  
 DIELECTRIC STRENGTH- 500V RMS@SEA LEVEL  
 LIFE EXPECTANCY- 15,000 CYCLES MIN.

MECHANICAL:  
 ACTUATION FORCE- 600+/-300 GRAMS  
 TRAVEL- 2.0 +/-0.50 (.079 +/-0.020) ["SEE P/N TABLE" for 1825256 & 1825290]

ENVIRONMENTAL:  
 OPERATING TEMPERATURE- -20 TO +85 DEGREES C  
 STORAGE TEMPERATURE- -40 TO +100 DEGREES C  
 RESISTANCE TO SOLDER HEAT PER 109-202, CONDITION B  
 SOLDERABILITY PER EIA-364-52, CLASS 2, CATEGORY 1, 95% MIN COVERAGE

NOTES:

- 1 COUNTRY OF ORIGIN AND TE CONNECTIVITY LOGO LOCATED APPROXIMATELY AS SHOWN
- 2 ALL MATERIALS AND FINISHES SHALL COMPLY WITH EU DIRECTIVE 2002/95/EC OF 27JAN2003 (ROHS)
- 3 ANTI SOLDER WICK SEAL AT TERMINAL TO BOARD INTERFACE
- 4 ALL PERFORMANCE TESTING WAS DONE IN ACCORDANCE TO TE CONNECTIVITY SPECIFICATION 102-2469
- 5 OBSOLETE PARTS: OBSOLETE CIS STREAMLINING PER D.RENAUD/D.SINISI
- 6 ACTUATOR SUPPLIED IN POSITION SHOWN.

PART NO.	T&B PART NO.	TRAVEL	CONTACT	1 2 3	1 2 3 4	1 2 3	1 2 3 4	1 2 3	1 2 3 4
1825256-6	MHS133GRA04	2.00		-	2-1	-	2-3	-	2-4
OBSOLETE 1825256-5	MHS123GRA04	2.00	GOLD	2-1	-	OFF	-	2-3	-
OBSOLETE 1825256-4	MHS122GRA04	4.00		2-1	-	NONE	-	2-3	-
1825256-3	MHS133RA04	2.00		-	2-1	-	2-3	-	2-4
OBSOLETE 1825256-2	MHS123RA04	2.00	SILVER	2-1	-	OFF	-	2-3	-
1825256-1	MHS122RA04	4.00		2-1	-	NONE	-	2-3	-

TERMINALS CONNECTED WHEN SLIDE IS IN POSITION SHOWN.

THIS DRAWING IS A CONTROLLED DOCUMENT. DIN R BROWN 20DEC05. CJK 19MAY03. M SARVER 19MAY03. NAME: SLIDE SWITCH, MHS SERIES, SINGLE POLE, RIGHT ANGLE. SIZE: A1. CAGE CODE: 00779. DRAWING NO: 1825256. RESTRICTED TO: CUSTOMER DRAWING. SCALE: 4:1. SHEET: 1 OF 1. REV: A5.