



Model Number

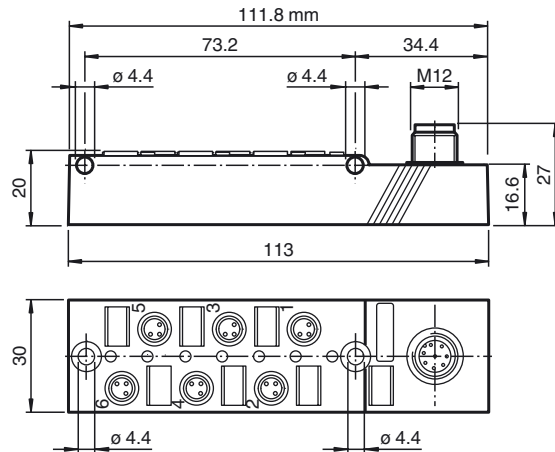
V3-6A-E2-V19

Splitter box 6 x M8 single allocation, with 8-pole M12 plug

Features

- Fast, flexible installation/separation
- LED indicator for module supply and I/O status
- Degree of protection IP67

Dimensions



Technical data

General specifications

Number of pins	3
UL File Number	E191152
Color	black

Electrical specifications

Operating voltage	U_B	24 V DC, max. 30 V DC
Operating current	I_B	≤ 5 mA per channel indication element
Current loading capacity		≤ 2 A per channel, ≤ 2 A per plug-in station, ≤ 4 A total current per splitter box

Output

Number/Type	6
-------------	---

Ambient conditions

Ambient temperature	-30 ... 80 °C (-22 ... 176 °F)
---------------------	--------------------------------

Mechanical specifications

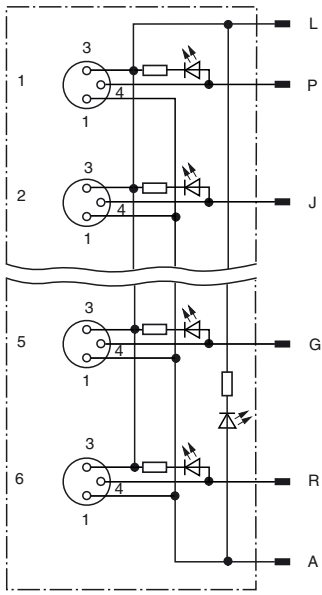
Connection type	6 x socket M8 x 1 3-pin 1 x Male connector M12 8-pin
Degree of protection	IP67 according to EN 60529
Mass	approx. 117 g
Flammability	94 V-0

Compliance with standards and directives

Standard conformity	
Degree of protection	EN 60529

Release date: 2018-03-22 11:19 Date of issue: 2018-03-22 204159_eng.xml

Electrical connection



M12-connector -V19	M8-socket/pole
P	1/4 (A)
J	2/4 (A)
T	3/4 (A)
S	4/4 (A)
G	5/4 (A)
R	6/4 (A)
A	1 ... 6/1 (+24 V)
L	1 ... 6/3 (0 V)

Displays

