

- 1
- 2
- 3
- 4
- 5
- 6
- 7
- 8
- 9
- 10
- 11
- 12
- 13
- 14
- 15
- 16
- 17
- 18

STANDARD EXECUTIONS

Aluminium, oval cross section bar.

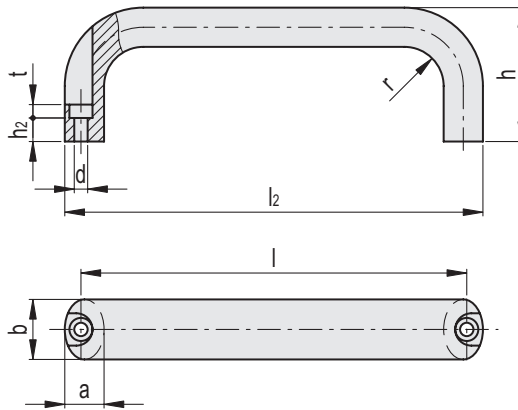
Pass-through holes for cylindrical-head screws with hexagon socket.

Surface finish index:

- **BL**: natural colour.
- **EL**: anodised, natural colour.
- **RS**: epoxy resin coating, RAL 3000 red colour.
- **SR**: epoxy resin coating, RAL 9006 grey colour.
- **SW**: epoxy resin coating resistant to UV rays, RAL 9005 black colour.

SPECIAL EXECUTIONS ON REQUEST

- Lengths and colours other than the standard executions.



Code BL	Code EL	Code RS	Code SR	Code SW	Description	b	l±0.25	l2	d	a	h	h2	r	t	⚖
GN.27171	GN.27172	GN.64521	GN.64522	GN.27173	GN 565.1-20-100-*	20	100	112	5.4	13	49	13.5	13	5.5	87
GN.27176	GN.27177	GN.64526	GN.64527	GN.27178	GN 565.1-20-112-*	20	112	124	5.4	13	49	13.5	13	5.5	97
GN.64531	GN.64532	GN.64533	GN.64534	GN.64535	GN 565.1-20-117-*	20	117	129	5.4	13	49	13.5	13	5.5	89
GN.27191	GN.27192	GN.64541	GN.64542	GN.27193	GN 565.1-20-120-*	20	120	132	5.4	13	49	13.5	13	5.5	100
GN.27181	GN.27182	GN.64543	GN.64544	GN.27183	GN 565.1-20-128-*	20	128	140	5.4	13	51	13.5	13	5.5	107
GN.27186	GN.27187	GN.64551	GN.64552	GN.27188	GN 565.1-20-160-*	20	160	172	5.4	13	51	13.5	13	5.5	127
GN.27201	GN.27203	GN.64571	GN.64572	GN.27202	GN 565.1-26-116-*	26	116	130	6.4	17	55	11	17	6	147
GN.27196	GN.27197	GN.64576	GN.64577	GN.27198	GN 565.1-26-120-*	26	120	134	6.4	17	55	11	17	6	167
GN.27205	GN.27207	GN.64581	GN.64582	GN.27206	GN 565.1-26-132-*	26	132	146	6.4	17	55	11	17	6	163
GN.27211	GN.27213	GN.64586	GN.64587	GN.27212	GN 565.1-26-164-*	26	164	178	6.4	17	57	11	17	6	197
GN.27221	GN.27222	GN.64591	GN.64592	GN.27223	GN 565.1-26-179-*	26	179	193	6.4	17	57	11	17	6	213
GN.27215	GN.27217	GN.64596	GN.64597	GN.27216	GN 565.1-26-196-*	26	196	210	6.4	17	57	11	17	6	229

* Complete by adding the finish index BL (blank), EL (anodised), RS (red), SR (grey) or SW (black).