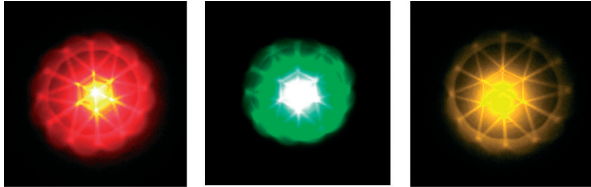
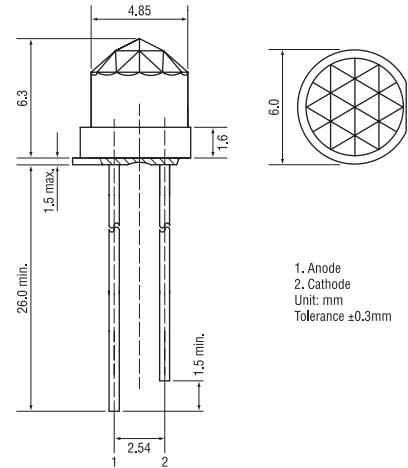


Characters:

- Directive characteristics



Package outlines:

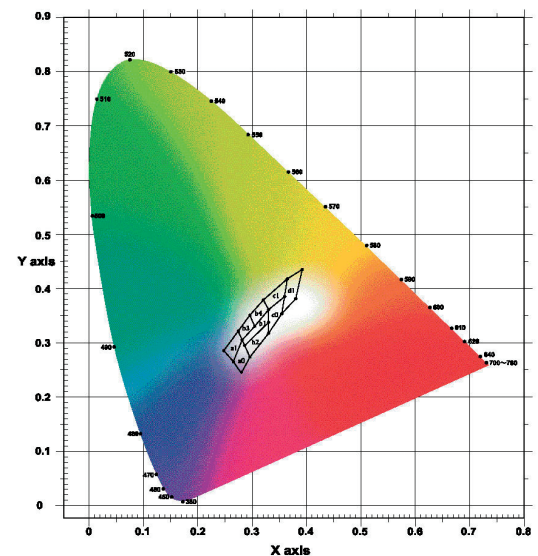


Absolute maximum rating (Ta=25°C)

Item	Symbol	Value		Unit
		B/G	R/Y	
DC Forward current	I_F	30	50	mA
Pulse forward current	I_{FP}	100*1	120*1	mA
Reverse voltage	V_R	5	5	V
Power dissipation	P_D	108	130	mW
Operating temperature	T_{opr}	-30 to +85	-30 to +85	°C
Storage temperature	T_{stg}	-40 to +100	-40 to +100	°C

*1 Duty 1/10 pulse width 10ms

CIE CHROMATICITY DIAGRAM



Electrical – Optical characteristics (Ta=25°C)

Part Number ^{*2}	MPN	Emitting colour	Lens type	Forward voltage VF(V)		Dominant wavelength ^{*4} wd(nm) ^{*5}		Luminous flux (lm) ^{*3}		Reverse current IR(uA)
				Working current: IF = 20mA						
				Typ.	Max.	Typ.	Max.	Min.	Typ.	
55-1300	OSR5PAEDD1A	Red	Water clear	2.1	2.6	624	629	3.0	4.0	<10
55-1302	OSG5DAEDD1A	Pure green	Water clear	3.1	3.6	525	530	5.0	6.0	<10
55-1301	OSY5PAEDD1A	Yellow	Water clear	2.1	2.6	590	595	3.0	4.0	<10

*2 See table for Luminous Intensity ranks

*3 Axial direction (Luminous Intensity)

*4 Please refer to CIE 1931 chromaticity diagram

*5 Devices are sorted by 5nm wavelength ranges