



Sample image

Order symbol: TA131308

Product nbr: 5814041

Description: Enclosure. ABS

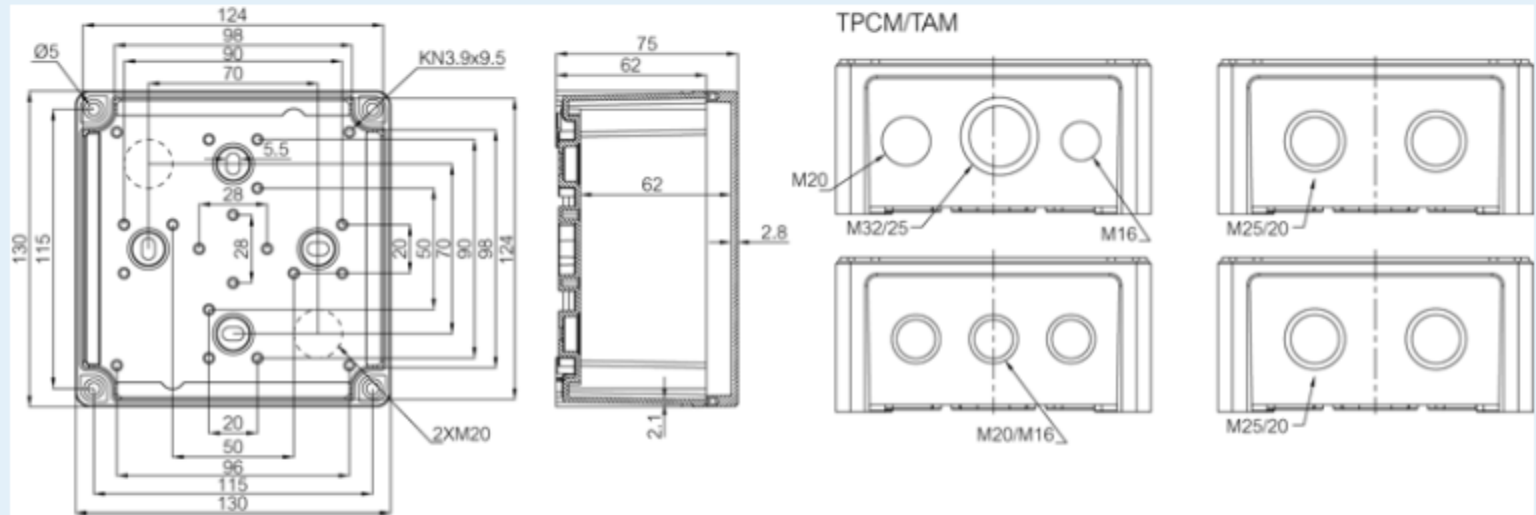
Remarks: Opaque cover

Including: Base with PUR gasket and screws for mounting plate/DIN-rail. cover with polyamide cover screws and plastic hinges.

EAN: 6418074011497

El. number:

- Finland:
- Denmark: 8212045240
- Sweden: 5814041



Dimensions:

	Height	Width	Depth
mm:	130	130	75
inch:	5.12	5.12	2.95

Accessories:

MIV 10	DIN-35 Mounting rail. for enclosures: (100 x 35 x 1)
FP 10674	Mounting foot kit (2 pcs) incl. screws

Materials:

Material:	ABS
Base colour:	
Cover colour:	
Gasket material:	

Temperatures:

Temperature °C (short term):	-40 ... 80
Temperature °C (continuous):	
Temperature °F (short term):	-40 ... 175
Temperature °F (continuous):	-40 ... 140

Rating:

Ingress protection (EN 60529):	IP65;
Impact Resistance (EN 62262):	IK07;
Electrical insulation:	Totally insulated
Halogen free (DIN/VDE 0472, Part 815):	1
UV resistance:	-
Flammability Rating:	UL 94 HB
Glow Wire Test (IEC 695-2-1) °C:	650 °C
NEMA Class	

Certificates:

Certificate FI 40343