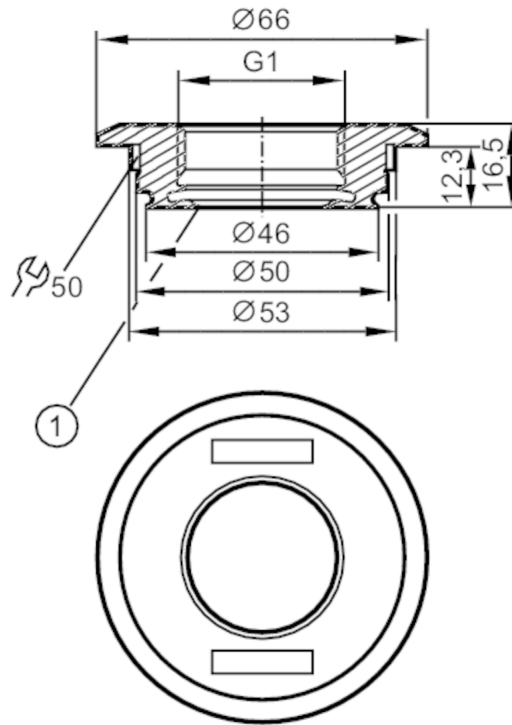


E33721



Process adapter Varivent

ADAPT IFM-VARIV TYP F (D=50)



1 sealing edge

EC 1935/2004 FCM FDA

Application

Pressure rating [bar] 25

Tests / approvals

Pressure Equipment Directive A possible classification to PED depends on the application and has to be carried out by the user / operator.

Safety instructions The compatibility between medium and product material has to be checked in all applications.

Mechanical data

Weight [g] 230

Materials stainless steel (1.4435 / 316L)

Sensor connection G 1 external thread Aseptoflex Vario

Process connection Varivent Form F, DN25 (1"), D = 50

Surface characteristics Ra/Rz of the wetted parts 0.4 / 4

Sealing metal to metal

Hygienic equipment class to DIN 11866 H4

Remarks

Pack quantity 1 pcs.