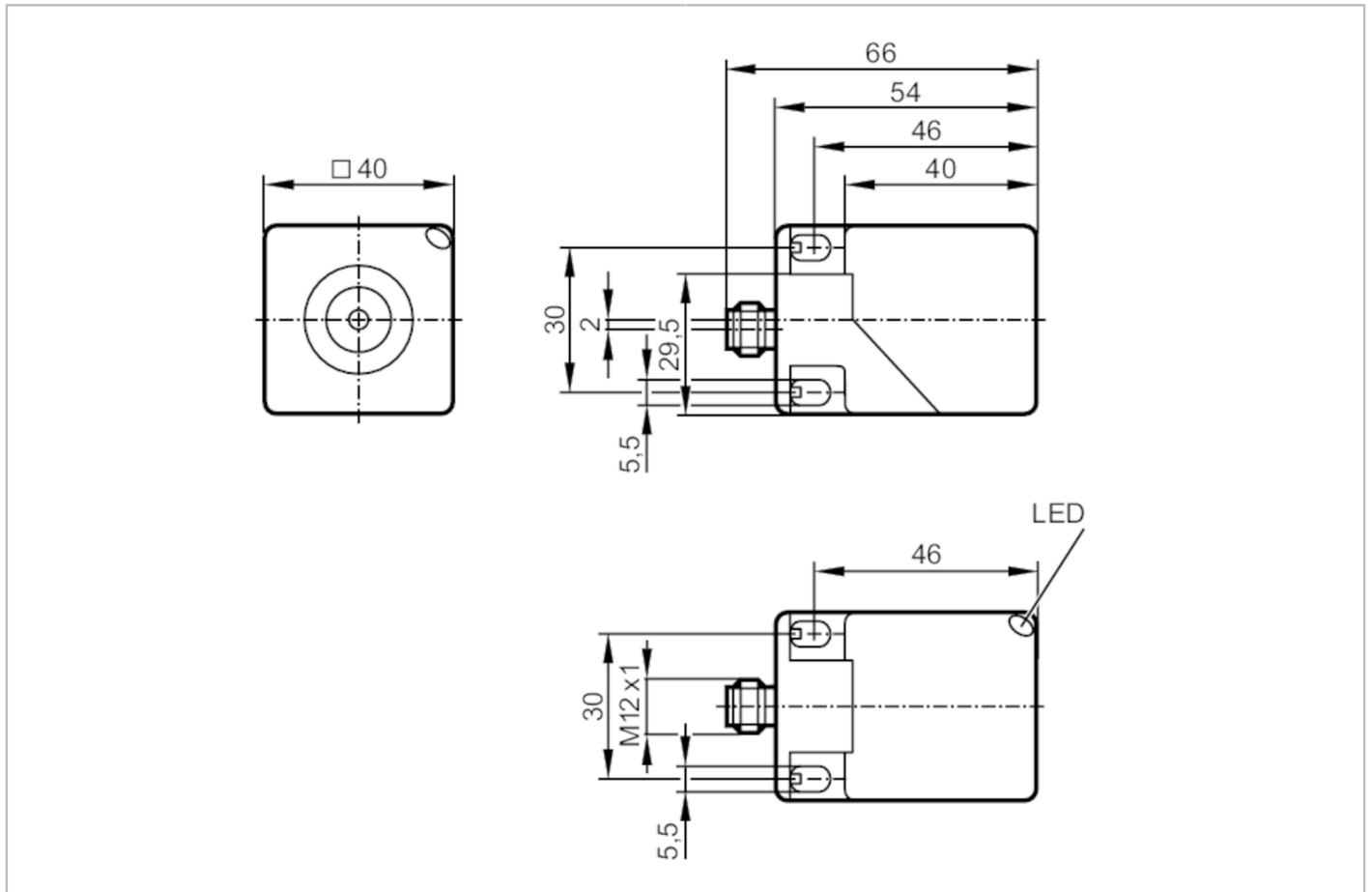


IM5127



Inductive sensor

IMC2015-ARKG/UP/US-100-DRS



Product characteristics

Electrical design		PNP/NPN
Output function		normally open
Sensing range	[mm]	15
Housing		rectangular
Dimensions	[mm]	40 x 40 x 54

Electrical data

Operating voltage	[V]	10...36 DC
Protection class		II
Reverse polarity protection		yes

IM5127



Inductive sensor

IMC2015-ARKG/UP/US-100-DRS

Outputs		
Electrical design		PNP/NPN
Output function		normally open
Max. voltage drop switching output DC	[V]	4.6
Minimum load current	[mA]	2
Max. leakage current	[mA]	0.8
Permanent current rating of switching output DC	[mA]	100
Switching frequency DC	[Hz]	200
Short-circuit protection		yes
Type of short-circuit protection		pulsed
Overload protection		yes
Detection zone		
Sensing range	[mm]	15
Real sensing range Sr	[mm]	15 ± 10 %
Operating distance	[mm]	0...12.1
Accuracy / deviations		
Correction factor		steel: 1 / stainless steel: 0.7 / brass: 0.4 / aluminium: 0.4 / copper: 0.3
Hysteresis	[% of Sr]	1...15
Switch point drift	[% of Sr]	-10...10
Operating conditions		
Ambient temperature	[°C]	-25...70
Protection		IP 67
Tests / approvals		
EMC	EN 61000-4-2 ESD	8 kV CD / 6 kV AD
	EN 61000-4-3 HF radiated	10 V/m
	EN 61000-4-4 Burst	2 kV
	EN 61000-4-5 Surge	0,5 kV line to line, Ri: 2 Ohm
	EN 61000-4-6 HF conducted	10 V
	EN 55011	class B
MTTF	[years]	1740
Mechanical data		
Weight	[g]	143.5
Housing		rectangular
Sensing face		5 positions selectable
Mounting		flush mountable
Dimensions	[mm]	40 x 40 x 54
Materials		PA
Displays / operating elements		
Display	switching status	1 x LED, yellow
Remarks		
Pack quantity		1 pcs.

IM5127



Inductive sensor

IMC2015-ARKG/UP/US-100-DRS

Electrical connection - plug

Connector: 1 x M12; Locking: locking, rotatable

